

Timing Belt Work Is Made Easy...

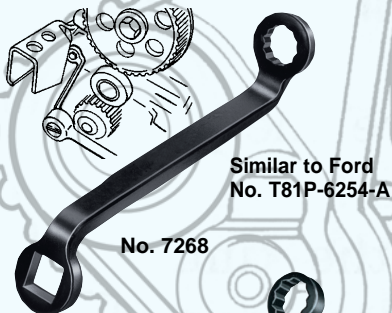
All you need is a handy Universal Belt Tension Gauge and the OTC family of Belt Tensioning Tools.



Universal Belt Tension Gauge

- Belt tension gauges are used to properly check drive belt tension on drive belts to ensure maximum belt and bearing life.
- Scale reads 30–180 inch lbs.

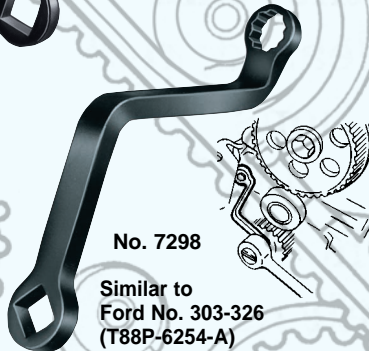
No. 6673 – Belt tension gauge.



Ford Belt Tensioner Torque Wrench Adapter

With this adapter and a torque wrench, access to the belt tensioner bolt is much easier, allowing more precise torquing. Works on the following Escort/Lynx and Tempo/Topaz front wheel drive vehicles: 1981–1985 1.6L; 1985–1996 VIN 9 1.9L; 1986–current 3.0L; and 1990–current 3.8L. Features a 3/8" drive and 10 mm twelve-point (double hex) socket end.

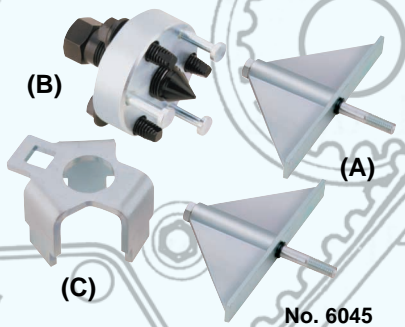
No. 7268 – Ford belt tensioner torque wrench adapter. Wt., 3 oz.



Escort/EXP Belt Tensioner Torque Wrench Adapter

Timing belt tensioner bolts aren't the easiest things to get ahold of, but with this wrench adapter, you have easy access to those bolts for precise torque reading adjustments. For use on 1986–1996 Vin J Ford Escort/EXP cars with 1.9L engines. 3/8" drive and 10 mm twelve-point (double hex) socket end.

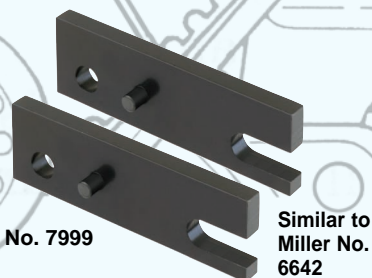
No. 7298 – Escort/EXP belt tensioner torque wrench adapter. Wt., 3 oz.



Camshaft Timing Tools

- Indispensable for servicing timing belts on GM 3.4L V-6 DOHC engine. Works on 1991–'96 Chevrolet Lumina and 1995–'97 Monte Carlo, 1991–'98 Olds Cutlass Supreme and Pontiac Grand Prix.
- Tool (A) holds the camshaft in the correct position; tool (B) is used to pull the cam gear from the camshaft; and tool (C) is used to turn the cam gear to time the camshaft.

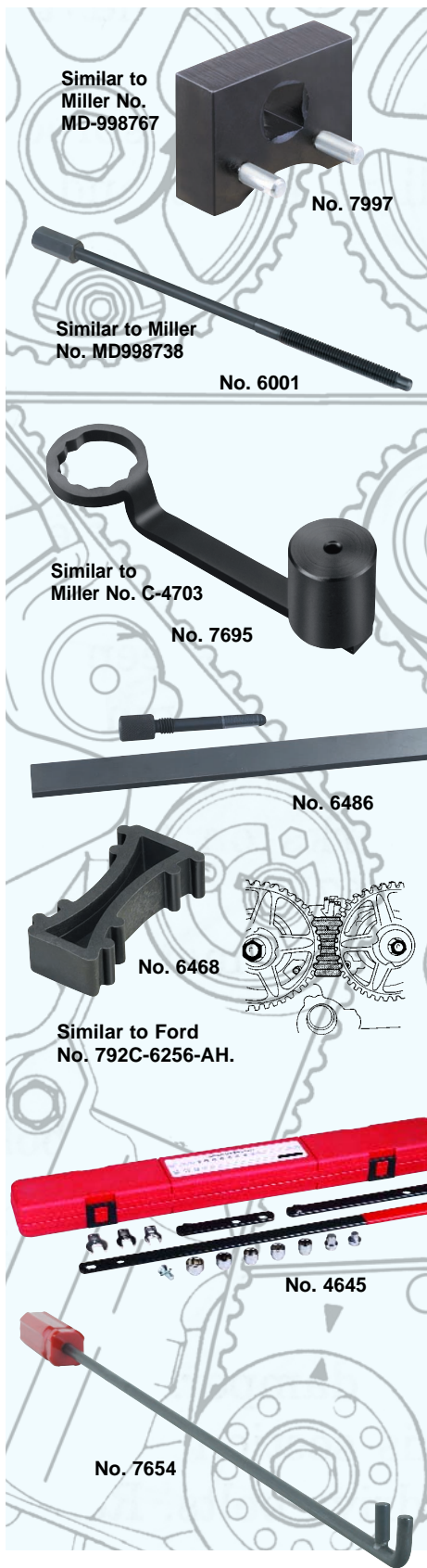
No. 6045 – Camshaft timing tools. Wt., 3 lbs., 12 oz.



Chrysler Camshaft Alignment Tool Set

These special brackets are necessary to ensure exact alignment of the camshaft sprockets during timing belt installation on all 1993–current LH vehicles with a 3.5L OHC engine.

No. 7999 – Camshaft alignment tool set. Wt., 8 oz.



Timing Belt Wrench

Correctly adjusts the timing belt tension on 1991–1994 3.0L DOHC Dodge Stealth, 1992–1994 Eagle Summit, 1992–1994 Dodge Colt, and 1984–1991 2.0L Dodge Colt. For use with a 1/4" drive ratchet.

No. 7997 – Timing belt wrench. Wt., 3 oz.

Belt Tensioner

Allows you to apply the correct timing belt tension on 1989–current Colt/Summit vehicles with a 2.4L, 4-cylinder Mitsubishi engine. Tool is used to evenly release the pressure on the timing belt from the auto tensioner. For use with the No. 7997 timing belt wrench.

No. 6001 – Belt tensioner. Wt., 5 oz.

Chrysler Timing Belt Adjustment Wrench

Guessing at the correct tension on timing belts is bad news—for you and your customers. To make belt tension adjustment easier on Chrysler's 2.2L and 2.5L engines, this wrench is a big help. It holds the tension on the belt for you, while you tighten the nut to the correct torque—eliminates over or under tightening. Weight can be shifted from one side of the wrench to the other to accommodate confining areas.

No. 7695 – Chrysler timing belt adjustment wrench. Wt., 13 oz.

OTC Ford Cam Tool Kit

No. 6486 – OTC Ford cam tool kit for 2.0L Zetec engines in Contour/Mystique. Contains tool Nos. 6474 and 6475. Wt., 1 lb.

OTC Ford Cam Pulley Holding Tool

No. 6468 – OTC Ford Cam Pulley Holding Tool for use on 1993–1997 Probe 2.0L 4 cyl.

Stinger Serpentine Belt Tool

This tool fits tensioner pulleys with 13 mm–16 mm, 18 mm hex or 3/8" and 1/2" square drives. For hard to access tensioners; there are 13 mm and 15 mm 12-point wrenches built into the handle. 13 mm, 14 mm, and 15 mm crows foot wrenches are also included.

No. 4645 – Stinger Serpentine belt tool.

Serpentine Belt Installation Tool

With this tool and the correct serpentine belt tool for the job, installing those almost impossible serpentine belts is a lot less frustrating and time-consuming. The two-pin hook end holds the belt for precise placement, and the handle gives you the grip you need to maneuver it around the pulleys easier. It's also a handy tool to have around for installing V-belts and timing belts that are never in easy-to-reach places. 25" long.

No. 7654 – Belt installation tool. Wt., 10 oz.

SPX **OTC** 1-800-533-6127
www.otctools.com

Distributed By:

Service Solutions, a unit of SPX Corporation

655 Eisenhower Drive, Owatonna, MN 55060-0995
Phone: 507-455-7000, International Sales: 507-455-7223