

SOLUTIONS MANUAL

COMPUTER ORGANIZATION AND ARCHITECTURE DESIGNING FOR PERFORMANCE EIGHTH EDITION

WILLIAM STALLINGS

Originally Shared for

<http://www.mashhood.webs.com>

Mashhood's Web Family

TABLE OF CONTENTS

Chapter 1 Introduction.....	5
Chapter 2 Computer Evolution and Performance	6
Chapter 3 Computer Function and Interconnection.....	14
Chapter 4 Cache Memory	19
Chapter 5 Internal Memory	32
Chapter 6 External Memory	38
Chapter 7 Input/Output.....	43
Chapter 8 Operating System Support.....	50
Chapter 9 Computer Arithmetic.....	57
Chapter 10 Instruction Sets: Characteristics and Functions	69
Chapter 11 Instruction Sets: Addressing Modes and Formats.....	80
Chapter 12 Processor Structure and Function	85
Chapter 13 Reduced Instruction Set Computers.....	92
Chapter 14 Instruction-Level Parallelism and Superscalar Processors.....	97
Chapter 15 Control Unit Operation.....	103
Chapter 16 Microprogrammed Control.....	106
Chapter 17 Parallel Processing.....	109
Chapter 18 Multicore Computers.....	118
Chapter 19 Number Systems.....	121
Chapter 20 Digital Logic	122
Chapter 21 The IA-64 Architecture	126
Appendix B Assembly Language and Related Topics	130

Originally Shared for

<http://www.mashhood.webs.com>

Mashhood's Web Family

CHAPTER 1 INTRODUCTION

ANSWERS TO QUESTIONS

- 1.1 **Computer architecture** refers to those attributes of a system visible to a programmer or, put another way, those attributes that have a direct impact on the logical execution of a program. **Computer organization** refers to the operational units and their interconnections that realize the architectural specifications. Examples of architectural attributes include the instruction set, the number of bits used to represent various data types (e.g., numbers, characters), I/O mechanisms, and techniques for addressing memory. Organizational attributes include those hardware details transparent to the programmer, such as control signals; interfaces between the computer and peripherals; and the memory technology used.
- 1.2 Computer structure refers to the way in which the components of a computer are interrelated. Computer function refers to the operation of each individual component as part of the structure.
- 1.3 Data processing; data storage; data movement; and control.
- 1.4 **Central processing unit (CPU):** Controls the operation of the computer and performs its data processing functions; often simply referred to as processor.
Main memory: Stores data.
I/O: Moves data between the computer and its external environment.
System interconnection: Some mechanism that provides for communication among CPU, main memory, and I/O. A common example of system interconnection is by means of a system bus, consisting of a number of conducting wires to which all the other components attach.
- 1.5 **Control unit:** Controls the operation of the CPU and hence the computer
Arithmetic and logic unit (ALU): Performs the computer's data processing functions
Registers: Provides storage internal to the CPU
CPU interconnection: Some mechanism that provides for communication among the control unit, ALU, and registers

CHAPTER 2 COMPUTER EVOLUTION AND PERFORMANCE

ANSWERS TO QUESTIONS

- 2.1 In a stored program computer, programs are represented in a form suitable for storing in memory alongside the data. The computer gets its instructions by reading them from memory, and a program can be set or altered by setting the values of a portion of memory.
- 2.2 A **main memory**, which stores both data and instructions; an **arithmetic and logic unit** (ALU) capable of operating on binary data; a **control unit**, which interprets the instructions in memory and causes them to be executed; and **input and output (I/O) equipment** operated by the control unit.
- 2.3 Gates, memory cells, and interconnections among gates and memory cells.
- 2.4 Moore observed that the number of transistors that could be put on a single chip was doubling every year and correctly predicted that this pace would continue into the near future.
- 2.5 **Similar or identical instruction set:** In many cases, the same set of machine instructions is supported on all members of the family. Thus, a program that executes on one machine will also execute on any other. **Similar or identical operating system:** The same basic operating system is available for all family members. **Increasing speed:** The rate of instruction execution increases in going from lower to higher family members. **Increasing Number of I/O ports:** In going from lower to higher family members. **Increasing memory size:** In going from lower to higher family members. **Increasing cost:** In going from lower to higher family members.
- 2.6 In a microprocessor, all of the components of the CPU are on a single chip.

ANSWERS TO PROBLEMS

- 2.1 This program is developed in [HAYE98]. The vectors A, B, and C are each stored in 1,000 contiguous locations in memory, beginning at locations 1001, 2001, and 3001, respectively. The program begins with the left half of location 3. A counting variable N is set to 999 and decremented after each step until it reaches -1. Thus, the vectors are processed from high location to low location.

Location	Instruction	Comments
0	999	Constant (count N)
1	1	Constant
2	1000	Constant
3L	LOAD M(2000)	Transfer A(I) to AC
3R	ADD M(3000)	Compute A(I) + B(I)
4L	STOR M(4000)	Transfer sum to C(I)
4R	LOAD M(0)	Load count N
5L	SUB M(1)	Decrement N by 1
5R	JUMP+ M(6, 20:39)	Test N and branch to 6R if nonnegative
6L	JUMP M(6, 0:19)	Halt
6R	STOR M(0)	Update N
7L	ADD M(1)	Increment AC by 1
7R	ADD M(2)	
8L	STOR M(3, 8:19)	Modify address in 3L
8R	ADD M(2)	
9L	STOR M(3, 28:39)	Modify address in 3R
9R	ADD M(2)	
10L	STOR M(4, 8:19)	Modify address in 4L
10R	JUMP M(3, 0:19)	Branch to 3L

2.2 a.

Opcode	Operand
00000001	000000000010

b. First, the CPU must make access memory to fetch the instruction. The instruction contains the address of the data we want to load. During the execute phase accesses memory to load the data value located at that address for a total of two trips to memory.

2.3 To read a value from memory, the CPU puts the address of the value it wants into the MAR. The CPU then asserts the Read control line to memory and places the address on the address bus. Memory places the contents of the memory location passed on the data bus. This data is then transferred to the MBR. To write a value to memory, the CPU puts the address of the value it wants to write into the MAR. The CPU also places the data it wants to write into the MBR. The CPU then asserts the Write control line to memory and places the address on the address bus and the data on the data bus. Memory transfers the data on the data bus into the corresponding memory location.

2.4

Address	Contents
08A	LOAD M(0FA) STOR M(0FB)
08B	LOAD M(0FA) JUMP +M(08D)
08C	LOAD -M(0FA) STOR M(0FB)
08D	

This program will store the absolute value of content at memory location 0FA into memory location 0FB.

- 2.5 All data paths to/from MBR are 40 bits. All data paths to/from MAR are 12 bits. Paths to/from AC are 40 bits. Paths to/from MQ are 40 bits.
- 2.6 The purpose is to increase performance. When an address is presented to a memory module, there is some time delay before the read or write operation can be performed. While this is happening, an address can be presented to the other module. For a series of requests for successive words, the maximum rate is doubled.
- 2.7 The discrepancy can be explained by noting that other system components aside from clock speed make a big difference in overall system speed. In particular, memory systems and advances in I/O processing contribute to the performance ratio. A system is only as fast as its slowest link. In recent years, the bottlenecks have been the performance of memory modules and bus speed.
- 2.8 As noted in the answer to Problem 2.7, even though the Intel machine may have a faster clock speed (2.4 GHz vs. 1.2 GHz), that does not necessarily mean the system will perform faster. Different systems are not comparable on clock speed. Other factors such as the system components (memory, buses, architecture) and the instruction sets must also be taken into account. A more accurate measure is to run both systems on a benchmark. Benchmark programs exist for certain tasks, such as running office applications, performing floating-point operations, graphics operations, and so on. The systems can be compared to each other on how long they take to complete these tasks. According to Apple Computer, the G4 is comparable or better than a higher-clock speed Pentium on many benchmarks.
- 2.9 This representation is wasteful because to represent a single decimal digit from 0 through 9 we need to have ten tubes. If we could have an arbitrary number of these tubes ON at the same time, then those same tubes could be treated as binary bits. With ten bits, we can represent 2^{10} patterns, or 1024 patterns. For integers, these patterns could be used to represent the numbers from 0 through 1023.
- 2.10 $CPI = 1.55$; MIPS rate = 25.8; Execution time = 3.87 ns. Source: [HWAN93]

2.11 a.

$$CPI_A = \frac{\sum CPI_i \times I_i}{I_c} = \frac{(8 \times 1 + 4 \times 3 + 2 \times 4 + 4 \times 3) \times 10^6}{(8 + 4 + 2 + 4) \times 10^6} \approx 2.22$$

$$MIPS_A = \frac{f}{CPI_A \times 10^6} = \frac{200 \times 10^6}{2.22 \times 10^6} = 90$$

$$CPU_A = \frac{I_c \times CPI_A}{f} = \frac{18 \times 10^6 \times 2.2}{200 \times 10^6} = 0.2 \text{ s}$$

$$CPI_B = \frac{\sum CPI_i \times I_i}{I_c} = \frac{(10 \times 1 + 8 \times 2 + 2 \times 4 + 4 \times 3) \times 10^6}{(10 + 8 + 2 + 4) \times 10^6} \approx 1.92$$

$$MIPS_B = \frac{f}{CPI_B \times 10^6} = \frac{200 \times 10^6}{1.92 \times 10^6} = 104$$

$$CPU_B = \frac{I_c \times CPI_B}{f} = \frac{24 \times 10^6 \times 1.92}{200 \times 10^6} = 0.23 \text{ s}$$

b. Although machine B has a higher MIPS than machine A, it requires a longer CPU time to execute the same set of benchmark programs.

2.12 a. We can express the MIPS rate as: $[(\text{MIPS rate})/10^6] = I_c/T$. So that:

$I_c = T \times [(\text{MIPS rate})/10^6]$. The ratio of the instruction count of the RS/6000 to the VAX is $[x \times 18]/[12x \times 1] = 1.5$.

b. For the Vax, $CPI = (5 \text{ MHz})/(1 \text{ MIPS}) = 5$.
For the RS/6000, $CPI = 25/18 = 1.39$.

2.13 From Equation (2.2), $MIPS = I_c/(T \times 10^6) = 100/T$. The MIPS values are:

	Computer A	Computer B	Computer C
Program 1	100	10	5
Program 2	0.1	1	5
Program 3	0.2	0.1	2
Program 4	1	0.125	1

	Arithmetic mean	Rank	Harmonic mean	Rank
Computer A	25.325	1	0.25	2
Computer B	2.8	3	0.21	3
Computer C	3.26	2	2.1	1

2.14 a. Normalized to R:

Benchmark	Processor		
	R	M	Z
E	1.00	1.71	3.11
F	1.00	1.19	1.19
H	1.00	0.43	0.49
I	1.00	1.11	0.60
K	1.00	2.10	2.09
Arithmetic mean	1.00	1.31	1.50

b. Normalized to M:

Benchmark	Processor		
	R	M	Z
E	0.59	1.00	1.82
F	0.84	1.00	1.00
H	2.32	1.00	1.13
I	0.90	1.00	0.54
K	0.48	1.00	1.00
Arithmetic mean	1.01	1.00	1.10

c. Recall that the larger the ratio, the higher the speed. Based on (a) R is the slowest machine, by a significant amount. Based on (b), M is the slowest machine, by a modest amount.

d. Normalized to R:

Benchmark	Processor		
	R	M	Z
E	1.00	1.71	3.11
F	1.00	1.19	1.19
H	1.00	0.43	0.49
I	1.00	1.11	0.60
K	1.00	2.10	2.09
Geometric mean	1.00	1.15	1.18

Normalized to M:

Benchmark	Processor		
	R	M	Z
E	0.59	1.00	1.82
F	0.84	1.00	1.00
H	2.32	1.00	1.13
I	0.90	1.00	0.54
K	0.48	1.00	1.00
Geometric mean	0.87	1.00	1.02

Using the geometric mean, R is the slowest no matter which machine is used for normalization.

2.15 a. Normalized to X:

Benchmark	Processor		
	X	Y	Z
1	1	2.0	0.5
2	1	0.5	2.0
Arithmetic mean	1	1.25	1.25
Geometric mean	1	1	1

Normalized to Y:

Benchmark	Processor		
	X	Y	Z
1	0.5	1	0.25
2	2.0	1	4.0
Arithmetic mean	1.25	1	2.125
Geometric mean	1	1	1

Machine Y is twice as fast as machine X for benchmark 1, but half as fast for benchmark 2. Similarly machine Z is half as fast as X for benchmark 1, but twice as fast for benchmark 2. Intuitively, these three machines have equivalent performance. However, if we normalize to X and compute the arithmetic mean

of the speed metric, we find that Y and Z are 25% faster than X. Now, if we normalize to Y and compute the arithmetic mean of the speed metric, we find that X is 25% faster than Y and Z is more than twice as fast as Y. Clearly, the arithmetic mean is worthless in this context.

- b. When the geometric mean is used, the three machines are shown to have equal performance when normalized to X, and also equal performance when normalized to Y. These results are much more in line with our intuition.

- 2.16 a. Assuming the same instruction mix means that the additional instructions for each task should be allocated proportionally among the instruction types. So we have the following table:

Instruction Type	CPI	Instruction Mix
Arithmetic and logic	1	60%
Load/store with cache hit	2	18%
Branch	4	12%
Memory reference with cache miss	12	10%

$CPI = 0.6 + (2 \times 0.18) + (4 \times 0.12) + (12 \times 0.1) = 2.64$. The CPI has increased due to the increased time for memory access.

- b. $MIPS = 400/2.64 = 152$. There is a corresponding drop in the MIPS rate.
 c. The speedup factor is the ratio of the execution times. Using Equation 2.2, we calculate the execution time as $T = I_c / (MIPS \times 10^6)$. For the single-processor case, $T_1 = (2 \times 10^6) / (178 \times 10^6) = 11$ ms. With 8 processors, each processor executes 1/8 of the 2 million instructions plus the 25,000 overhead instructions. For this case, the execution time for each of the 8 processors is

$$T_8 = \frac{\frac{2 \times 10^6}{8} + 0.025 \times 10^6}{152 \times 10^6} = 1.8 \text{ ms}$$

Therefore we have

$$\text{Speedup} = \frac{\text{time to execute program on a single processor}}{\text{time to execute program on } N \text{ parallel processors}} = \frac{11}{1.8} = 6.11$$

- d. The answer to this question depends on how we interpret Amdahl's law. There are two inefficiencies in the parallel system. First, there are additional instructions added to coordinate between threads. Second, there is contention for memory access. The way that the problem is stated, none of the code is inherently serial. All of it is parallelizable, but with scheduling overhead. One could argue that the memory access conflict means that to some extent memory reference instructions are not parallelizable. But based on the information given, it is not clear how to quantify this effect in Amdahl's equation. If we assume that the fraction of code that is parallelizable is $f = 1$, then Amdahl's law reduces to $\text{Speedup} = N = 8$ for this case. Thus the actual speedup is only about 75% of the theoretical speedup.

- 2.17 a. Speedup = (time to access in main memory)/(time to access in cache) = T_2/T_1 .
 b. The average access time can be computed as $T = H \times T_1 + (1 - H) \times T_2$
 Using Equation (2.8):

$$\text{Speedup} = \frac{\text{Execution time before enhancement}}{\text{Execution time after enhancement}} = \frac{T_2}{T} = \frac{T_2}{H \times T_1 + (1 - H)T_2} = \frac{1}{(1 - H) + H \frac{T_1}{T_2}}$$

- c. $T = H \times T_1 + (1 - H) \times (T_1 + T_2) = T_1 + (1 - H) \times T_2$
 This is Equation (4.2) in Chapter 4. Now,

$$\text{Speedup} = \frac{\text{Execution time before enhancement}}{\text{Execution time after enhancement}} = \frac{T_2}{T} = \frac{T_2}{T_1 + (1 - H)T_2} = \frac{1}{(1 - H) + \frac{T_1}{T_2}}$$

In this case, the denominator is larger, so that the speedup is less.

Please Do Not
Post on Web

CHAPTER 3 COMPUTER FUNCTION AND INTERCONNECTION

ANSWERS TO QUESTIONS

- 3.1 **Processor-memory:** Data may be transferred from processor to memory or from memory to processor. **Processor-I/O:** Data may be transferred to or from a peripheral device by transferring between the processor and an I/O module. **Data processing:** The processor may perform some arithmetic or logic operation on data. **Control:** An instruction may specify that the sequence of execution be altered.
- 3.2 **Instruction address calculation (iac):** Determine the address of the next instruction to be executed. **Instruction fetch (if):** Read instruction from its memory location into the processor. **Instruction operation decoding (iod):** Analyze instruction to determine type of operation to be performed and operand(s) to be used. **Operand address calculation (oac):** If the operation involves reference to an operand in memory or available via I/O, then determine the address of the operand. **Operand fetch (of):** Fetch the operand from memory or read it in from I/O. **Data operation (do):** Perform the operation indicated in the instruction. **Operand store (os):** Write the result into memory or out to I/O.
- 3.3 (1) Disable all interrupts while an interrupt is being processed. (2) Define priorities for interrupts and to allow an interrupt of higher priority to cause a lower-priority interrupt handler to be interrupted.
- 3.4 **Memory to processor:** The processor reads an instruction or a unit of data from memory. **Processor to memory:** The processor writes a unit of data to memory. **I/O to processor:** The processor reads data from an I/O device via an I/O module. **Processor to I/O:** The processor sends data to the I/O device. **I/O to or from memory:** For these two cases, an I/O module is allowed to exchange data directly with memory, without going through the processor, using direct memory access (DMA).
- 3.5 With multiple buses, there are fewer devices per bus. This (1) reduces propagation delay, because each bus can be shorter, and (2) reduces bottleneck effects.
- 3.6 **System pins:** Include the clock and reset pins. **Address and data pins:** Include 32 lines that are time multiplexed for addresses and data. **Interface control pins:** Control the timing of transactions and provide coordination among initiators and targets. **Arbitration pins:** Unlike the other PCI signal lines, these are not shared lines. Rather, each PCI master has its own pair of arbitration lines that connect it directly to the PCI bus arbiter. **Error Reporting pins:** Used to report parity and

other errors. **Interrupt Pins:** These are provided for PCI devices that must generate requests for service. **Cache support pins:** These pins are needed to support a memory on PCI that can be cached in the processor or another device. **64-bit Bus extension pins:** Include 32 lines that are time multiplexed for addresses and data and that are combined with the mandatory address/data lines to form a 64-bit address/data bus. **JTAG/Boundary Scan Pins:** These signal lines support testing procedures defined in IEEE Standard 1149.1.

ANSWERS TO PROBLEMS

- 3.1 Memory (contents in hex): 300: 3005; 301: 5940; 302: 7006
Step 1: 3005 → IR; **Step 2:** 3 → AC
Step 3: 5940 → IR; **Step 4:** 3 + 2 = 5 → AC
Step 5: 7006 → IR; **Step 6:** AC → Device 6
- 3.2
1.
 - a. The PC contains 300, the address of the first instruction. This value is loaded into the MAR.
 - b. The value in location 300 (which is the instruction with the value 1940 in hexadecimal) is loaded into the MBR, and the PC is incremented. These two steps can be done in parallel.
 - c. The value in the MBR is loaded into the IR.
 2.
 - a. The address portion of the IR (940) is loaded into the MAR.
 - b. The value in location 940 is loaded into the MBR.
 - c. The value in the MBR is loaded into the AC.
 3.
 - a. The value in the PC (301) is loaded into the MAR.
 - b. The value in location 301 (which is the instruction with the value 5941) is loaded into the MBR, and the PC is incremented.
 - c. The value in the MBR is loaded into the IR.
 4.
 - a. The address portion of the IR (941) is loaded into the MAR.
 - b. The value in location 941 is loaded into the MBR.
 - c. The old value of the AC and the value of location MBR are added and the result is stored in the AC.
 5.
 - a. The value in the PC (302) is loaded into the MAR.
 - b. The value in location 302 (which is the instruction with the value 2941) is loaded into the MBR, and the PC is incremented.
 - c. The value in the MBR is loaded into the IR.
 6.
 - a. The address portion of the IR (941) is loaded into the MAR.
 - b. The value in the AC is loaded into the MBR.
 - c. The value in the MBR is stored in location 941.
- 3.3
- a. $2^{24} = 16$ MBytes
 - b. (1) If the local address bus is 32 bits, the whole address can be transferred at once and decoded in memory. However, because the data bus is only 16 bits, it will require 2 cycles to fetch a 32-bit instruction or operand.
 (2) The 16 bits of the address placed on the address bus can't access the whole memory. Thus a more complex memory interface control is needed to latch the first part of the address and then the second part (because the microprocessor will end in two steps). For a 32-bit address, one may assume the first half will decode to access a "row" in memory, while the second half is sent later to access

a "column" in memory. In addition to the two-step address operation, the microprocessor will need 2 cycles to fetch the 32 bit instruction/operand.

- c. The program counter must be at least 24 bits. Typically, a 32-bit microprocessor will have a 32-bit external address bus and a 32-bit program counter, unless on-chip segment registers are used that may work with a smaller program counter. If the instruction register is to contain the whole instruction, it will have to be 32-bits long; if it will contain only the op code (called the op code register) then it will have to be 8 bits long.

- 3.4 In cases **(a)** and **(b)**, the microprocessor will be able to access $2^{16} = 64\text{K}$ bytes; the only difference is that with an 8-bit memory each access will transfer a byte, while with a 16-bit memory an access may transfer a byte or a 16-byte word. For case **(c)**, separate input and output instructions are needed, whose execution will generate separate "I/O signals" (different from the "memory signals" generated with the execution of memory-type instructions); at a minimum, one additional output pin will be required to carry this new signal. For case **(d)**, it can support $2^8 = 256$ input and $2^8 = 256$ output byte ports and the same number of input and output 16-bit ports; in either case, the distinction between an input and an output port is defined by the different signal that the executed input or output instruction generated.

3.5 Clock cycle = $\frac{1}{8 \text{ MHz}} = 125 \text{ ns}$

Bus cycle = $4 \times 125 \text{ ns} = 500 \text{ ns}$

2 bytes transferred every 500 ns; thus transfer rate = 4 MBytes/sec

Doubling the frequency may mean adopting a new chip manufacturing technology (assuming each instructions will have the same number of clock cycles); doubling the external data bus means wider (maybe newer) on-chip data bus drivers/latches and modifications to the bus control logic. In the first case, the speed of the memory chips will also need to double (roughly) not to slow down the microprocessor; in the second case, the "wordlength" of the memory will have to double to be able to send/receive 32-bit quantities.

- 3.6 a. Input from the Teletype is stored in INPR. The INPR will only accept data from the Teletype when FGI=0. When data arrives, it is stored in INPR, and FGI is set to 1. The CPU periodically checks FGI. If FGI =1, the CPU transfers the contents of INPR to the AC and sets FGI to 0.

When the CPU has data to send to the Teletype, it checks FGO. If FGO = 0, the CPU must wait. If FGO = 1, the CPU transfers the contents of the AC to OUTF and sets FGO to 0. The Teletype sets FGI to 1 after the word is printed.

- b. The process described in **(a)** is very wasteful. The CPU, which is much faster than the Teletype, must repeatedly check FGI and FGO. If interrupts are used, the Teletype can issue an interrupt to the CPU whenever it is ready to accept or send data. The IEN register can be set by the CPU (under programmer control)

- 3.7 a. During a single bus cycle, the 8-bit microprocessor transfers one byte while the 16-bit microprocessor transfers two bytes. The 16-bit microprocessor has twice the data transfer rate.
- b. Suppose we do 100 transfers of operands and instructions, of which 50 are one byte long and 50 are two bytes long. The 8-bit microprocessor takes $50 + (2 \times$

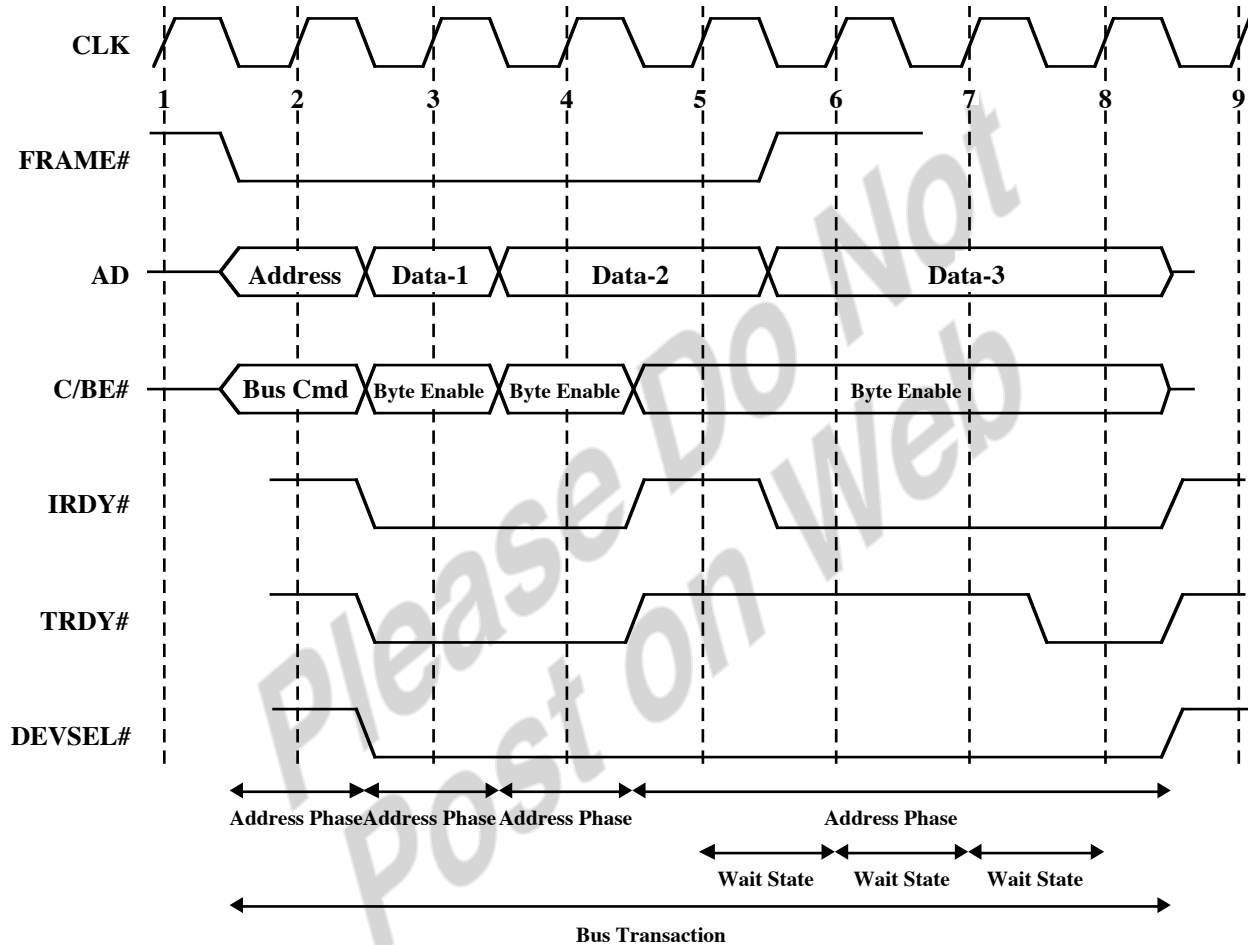
50) = 150 bus cycles for the transfer. The 16-bit microprocessor requires $50 + 50 = 100$ bus cycles. Thus, the data transfer rates differ by a factor of 1.5.

- 3.8** The whole point of the clock is to define event times on the bus; therefore, we wish for a bus arbitration operation to be made each clock cycle. This requires that the priority signal propagate the length of the daisy chain (Figure 3.26) in one clock period. Thus, the maximum number of masters is determined by dividing the amount of time it takes a bus master to pass through the bus priority by the clock period.
- 3.9** The lowest-priority device is assigned priority 16. This device must defer to all the others. However, it may transmit in any slot not reserved by the other SBI devices.
- 3.10** At the beginning of any slot, if none of the TR lines is asserted, only the priority 16 device may transmit. This gives it the lowest average wait time under most circumstances. Only when there is heavy demand on the bus, which means that most of the time there is at least one pending request, will the priority 16 device not have the lowest average wait time.
- 3.11**
- With a clocking frequency of 10 MHz, the clock period is 10^{-9} s = 100 ns. The length of the memory read cycle is 300 ns.
 - The Read signal begins to fall at 75 ns from the beginning of the third clock cycle (middle of the second half of T_3). Thus, memory must place the data on the bus no later than 55 ns from the beginning of T_3 .
- 3.12**
- The clock period is 125 ns. Therefore, two clock cycles need to be inserted.
 - From Figure 3.19, the Read signal begins to rise early in T_2 . To insert two clock cycles, the Ready line can be put in low at the beginning of T_2 and kept low for 250 ns.
- 3.13**
- A 5 MHz clock corresponds to a clock period of 200 ns. Therefore, the Write signal has a duration of 150 ns.
 - The data remain valid for $150 + 20 = 170$ ns.
 - One wait state.
- 3.14**
- Without the wait states, the instruction takes 16 bus clock cycles. The instruction requires four memory accesses, resulting in 8 wait states. The instruction, with wait states, takes 24 clock cycles, for an increase of 50%.
 - In this case, the instruction takes 26 bus cycles without wait states and 34 bus cycles with wait states, for an increase of 33%.
- 3.15**
- The clock period is 125 ns. One bus read cycle takes 500 ns = 0.5 μ s. If the bus cycles repeat one after another, we can achieve a data transfer rate of 2 MB/s.
 - The wait state extends the bus read cycle by 125 ns, for a total duration of 0.625 μ s. The corresponding data transfer rate is $1/0.625 = 1.6$ MB/s.
- 3.16** A bus cycle takes 0.25 μ s, so a memory cycle takes 1 μ s. If both operands are even-aligned, it takes 2 μ s to fetch the two operands. If one is odd-aligned, the time required is 3 μ s. If both are odd-aligned, the time required is 4 μ s.

3.17 Consider a mix of 100 instructions and operands. On average, they consist of 20 32-bit items, 40 16-bit items, and 40 bytes. The number of bus cycles required for the 16-bit microprocessor is $(2 \times 20) + 40 + 40 = 120$. For the 32-bit microprocessor, the number required is 100. This amounts to an improvement of $20/120$ or about 17%.

3.18 The processor needs another nine clock cycles to complete the instruction. Thus, the Interrupt Acknowledge will start after 900 ns.

3.19



CHAPTER 4 CACHE MEMORY

ANSWERS TO QUESTIONS

- 4.1 **Sequential access:** Memory is organized into units of data, called records. Access must be made in a specific linear sequence. **Direct access:** Individual blocks or records have a unique address based on physical location. Access is accomplished by direct access to reach a general vicinity plus sequential searching, counting, or waiting to reach the final location. **Random access:** Each addressable location in memory has a unique, physically wired-in addressing mechanism. The time to access a given location is independent of the sequence of prior accesses and is constant.
- 4.2 Faster access time, greater cost per bit; greater capacity, smaller cost per bit; greater capacity, slower access time.
- 4.3 It is possible to organize data across a memory hierarchy such that the percentage of accesses to each successively lower level is substantially less than that of the level above. Because memory references tend to cluster, the data in the higher-level memory need not change very often to satisfy memory access requests.
- 4.4 In a cache system, **direct mapping** maps each block of main memory into only one possible cache line. **Associative mapping** permits each main memory block to be loaded into any line of the cache. In **set-associative mapping**, the cache is divided into a number of sets of cache lines; each main memory block can be mapped into any line in a particular set.
- 4.5 One field identifies a unique word or byte within a block of main memory. The remaining two fields specify one of the blocks of main memory. These two fields are a line field, which identifies one of the lines of the cache, and a tag field, which identifies one of the blocks that can fit into that line.
- 4.6 A tag field uniquely identifies a block of main memory. A word field identifies a unique word or byte within a block of main memory.
- 4.7 One field identifies a unique word or byte within a block of main memory. The remaining two fields specify one of the blocks of main memory. These two fields are a set field, which identifies one of the sets of the cache, and a tag field, which identifies one of the blocks that can fit into that set.
- 4.8 **Spatial locality** refers to the tendency of execution to involve a number of memory locations that are clustered. **Temporal locality** refers to the tendency for a processor to access memory locations that have been used recently.

- 4.9 **Spatial locality** is generally exploited by using larger cache blocks and by incorporating prefetching mechanisms (fetching items of anticipated use) into the cache control logic. **Temporal locality** is exploited by keeping recently used instruction and data values in cache memory and by exploiting a cache hierarchy.

ANSWERS TO PROBLEMS

- 4.1 The cache is divided into 16 sets of 4 lines each. Therefore, 4 bits are needed to identify the set number. Main memory consists of $4K = 2^{12}$ blocks. Therefore, the set plus tag lengths must be 12 bits and therefore the tag length is 8 bits. Each block contains 128 words. Therefore, 7 bits are needed to specify the word.

	TAG	SET	WORD
Main memory address =	8	4	7

- 4.2 There are a total of $8 \text{ kbytes} / 16 \text{ bytes} = 512$ lines in the cache. Thus the cache consists of 256 sets of 2 lines each. Therefore 8 bits are needed to identify the set number. For the 64-Mbyte main memory, a 26-bit address is needed. Main memory consists of $64\text{-Mbyte} / 16 \text{ bytes} = 2^{22}$ blocks. Therefore, the set plus tag lengths must be 22 bits, so the tag length is 14 bits and the word field length is 4 bits.

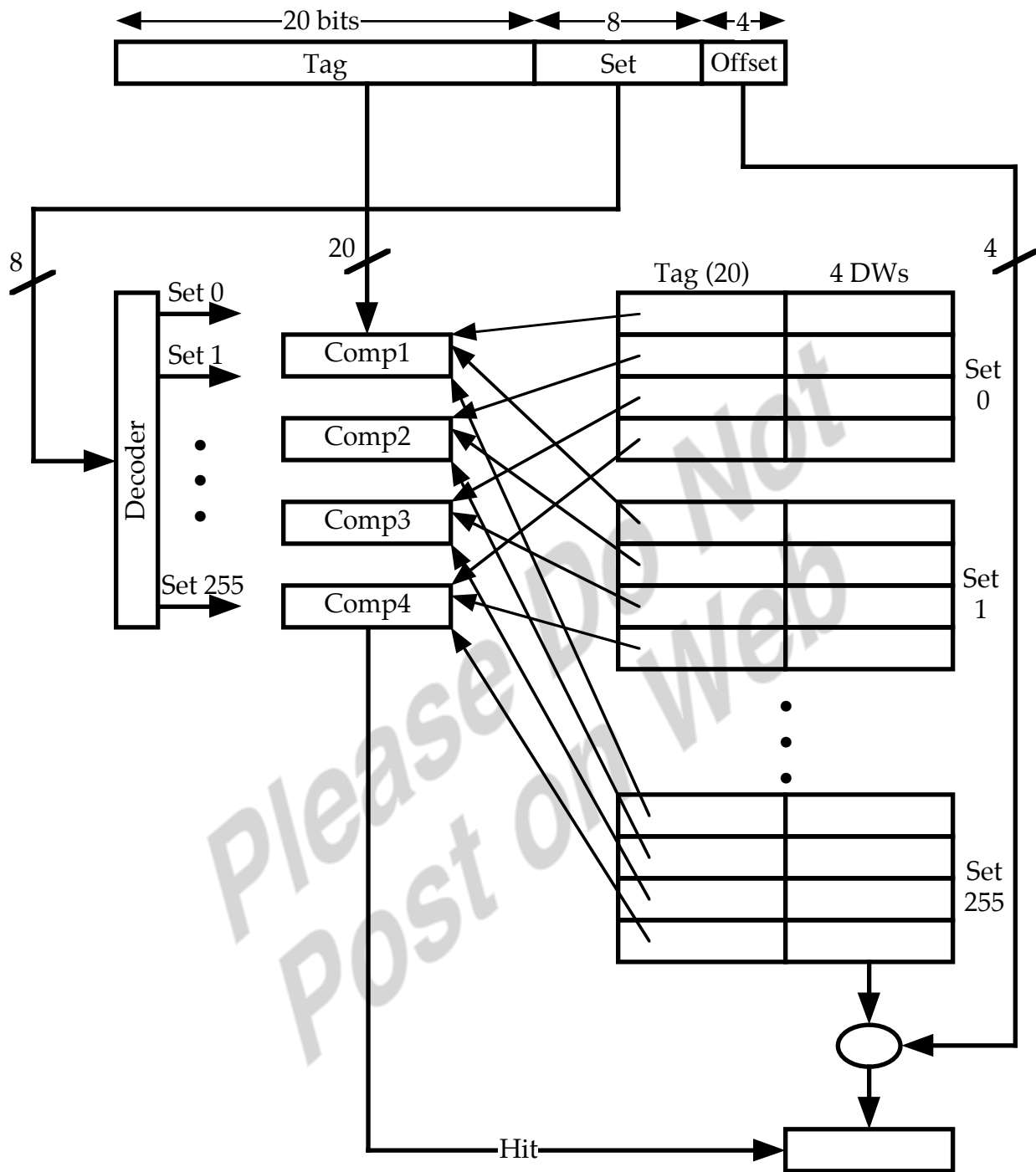
	TAG	SET	WORD
Main memory address =	14	8	4

4.3

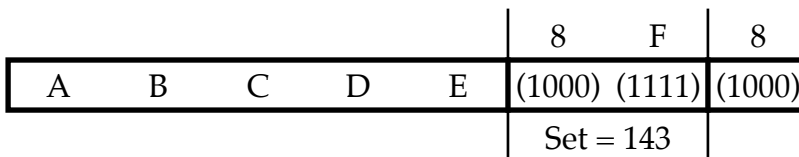
Address	111111	666666	BBBBBB
a. Tag/Line/Word	11/444/1	66/1999/2	BB/2EEE/3
b. Tag / Word	44444/1	199999/2	2EEEEEE/3
c. Tag/Set/Word	22/444/1	CC/1999/2	177/EEE/3

- 4.4 a. Address length: 24; number of addressable units: 2^{24} ; block size: 4; number of blocks in main memory: 2^{22} ; number of lines in cache: 2^{14} ; size of tag: 8.
 b. Address length: 24; number of addressable units: 2^{24} ; block size: 4; number of blocks in main memory: 2^{22} ; number of lines in cache: 4000 hex; size of tag: 22.
 c. Address length: 24; number of addressable units: 2^{24} ; block size: 4; number of blocks in main memory: 2^{22} ; number of lines in set: 2; number of sets: 2^{13} ; number of lines in cache: 2^{14} ; size of tag: 9.

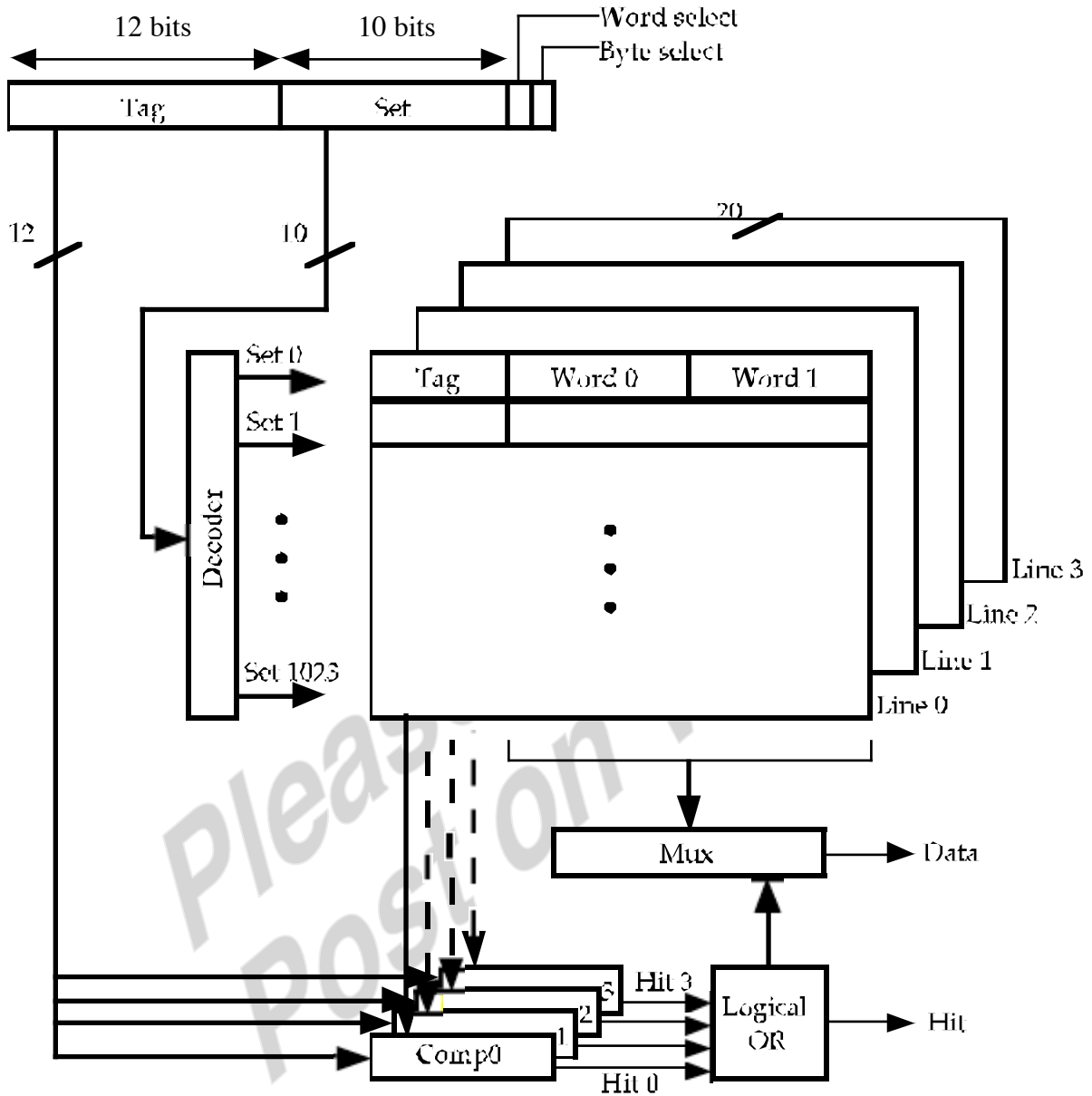
- 4.5 Block frame size = 16 bytes = 4 doublewords
 Number of block frames in cache = $\frac{16 \text{ KBytes}}{16 \text{ Bytes}} = 1024$
 Number of sets = $\frac{\text{Number of block frames}}{\text{Associativity}} = \frac{1024}{4} = 256$ sets



Example: doubleword from location ABCDE8F8 is mapped onto: set 143, any line, doubleword 2:



4.6



4.7 A 32-bit address consists of a 21-bit tag field, a 7-bit set field, and a 4-bit word field. Each set in the cache includes 3 LRU bits and four lines. Each line consists of 4 32-bit words, a valid bit, and a 21-bit tag.

- 4.8
- 8 leftmost bits = tag; 5 middle bits = line number; 3 rightmost bits = byte number
 - slot 3; slot 6; slot 3; slot 21
 - Bytes with addresses 0001 1010 0001 1000 through 0001 1010 0001 1111 are stored in the cache
 - 256 bytes
 - Because two items with two different memory addresses can be stored in the same place in the cache. The tag is used to distinguish between them.

4.9 a. The bits are set according to the following rules with each access to the set:

1. If the access is to L0 or L1, $B0 \leftarrow 1$.
2. If the access is to L0, $B1 \leftarrow 1$.
3. If the access is to L1, $B1 \leftarrow 0$.
4. If the access is to L2 or L3, $B0 \leftarrow 0$.
5. If the access is to L2, $B2 \leftarrow 1$.
6. If the access is to L3, $B2 \leftarrow 0$.

The replacement algorithm works as follows (Figure 4.15): When a line must be replaced, the cache will first determine whether the most recent use was from L0 and L1 or L2 and L3. Then the cache will determine which of the pair of blocks was least recently used and mark it for replacement. When the cache is initialized or flushed all 128 sets of three LRU bits are set to zero.

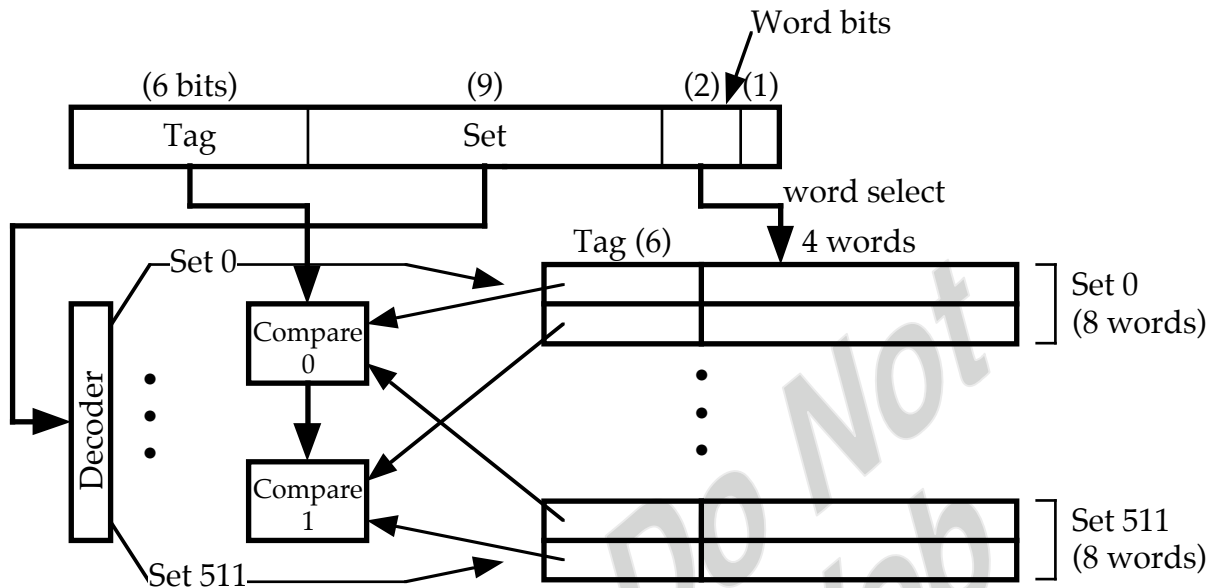
- b. The 80486 divides the four lines in a set into two pairs (L0, L1 and L2, L3). Bit B0 is used to select the pair that has been least-recently used. Within each pair, one bit is used to determine which member of the pair was least-recently used. However, the ultimate selection only approximates LRU. Consider the case in which the order of use was: L0, L2, L3, L1. The least-recently used pair is (L2, L3) and the least-recently used member of that pair is L2, which is selected for replacement. However, the least-recently used line of all is L0. Depending on the access history, the algorithm will always pick the least-recently used entry or the second least-recently used entry.
- c. The most straightforward way to implement true LRU for a four-line set is to associate a two bit counter with each line. When an access occurs, the counter for that block is set to 0; all counters with values lower than the original value for the accessed block are incremented by 1. When a miss occurs and the set is not full, a new block is brought in, its counter is set to 0 and all other counters are incremented by 1. When a miss occurs and the set is full, the block with counter value 3 is replaced; its counter is set to 0 and all other counters are incremented by 1. This approach requires a total of 8 bits.

In general, for a set of N blocks, the above approach requires 2N bits. A more efficient scheme can be designed which requires only $N(N-1)/2$ bits. The scheme operates as follows. Consider a matrix R with N rows and N columns, and take the upper-right triangular portion of the matrix, not counting the diagonal. For $N = 4$, we have the following layout:

	R(1,2)	R(1,3)	R(1,4)
		R(2,3)	R(2,4)
			R(3,4)

When line I is referenced, row I of R(I,J) is set to 1, and column I of R(J,I) is set to 0. The LRU block is the one for which the row is entirely equal to 0 (for those bits in the row; the row may be empty) and for which the column is entirely 1 (for all the bits in the column; the column may be empty). As can be seen for $N = 4$, a total of 6 bits are required.

4.10 Block size = 4 words = 2 doublewords; associativity $K = 2$; cache size = 4048 words; $C = 1024$ block frames; number of sets $S = C/K = 512$; main memory = $64K \times 32$ bits = 256 Kbytes = 2^{18} bytes; address = 18 bits.



- 4.11 a. Address format: Tag = 20 bits; Line = 6 bits; Word = 6 bits
 Number of addressable units = $2^{s+w} = 2^{32}$ bytes; number of blocks in main memory = $2^s = 2^{26}$; number of lines in cache $2^l = 2^6 = 64$; size of tag = 20 bits.
- b. Address format: Tag = 26 bits; Word = 6 bits
 Number of addressable units = $2^{s+w} = 2^{32}$ bytes; number of blocks in main memory = $2^s = 2^{26}$; number of lines in cache = undetermined; size of tag = 26 bits.
- c. Address format: Tag = 9 bits; Set = 17 bits; Word = 6 bits
 Number of addressable units = $2^{s+w} = 2^{32}$ bytes; Number of blocks in main memory = $2^s = 2^{26}$; Number of lines in set = $k = 4$; Number of sets in cache = $2^d = 2^{17}$; Number of lines in cache = $k \times 2^d = 2^{19}$; Size of tag = 9 bits.

4.12 a. Because the block size is 16 bytes and the word size is 1 byte, this means there are 16 words per block. We will need 4 bits to indicate which word we want out of a block. Each cache line/slot matches a memory block. That means each cache slot contains 16 bytes. If the cache is 64Kbytes then $64Kbytes / 16 = 4096$ cache slots. To address these 4096 cache slots, we need 12 bits ($2^{12} = 4096$).

Consequently, given a 20 bit (1 MByte) main memory address:

Bits 0-3 indicate the word offset (4 bits)

Bits 4-15 indicate the cache slot (12 bits)

Bits 16-19 indicate the tag (remaining bits)

F0010 = 1111 0000 0000 0001 0000

Word offset = 0000 = 0

Slot = 0000 0000 0001 = 001

Tag = 1111 = F

01234 = 0000 0001 0010 0011 0100

Word offset = 0100 = 4

Slot = 0001 0010 0011 = 123

Tag = 0000 = 0
 CABBE = 1100 1010 1011 1011 1110
 Word offset = 1110 = E
 Slot = 1010 1011 1011 = ABB
 Tag = 1100 = C

- b. We need to pick any address where the slot is the same, but the tag (and optionally, the word offset) is different. Here are two examples where the slot is 1111 1111 1111

Address 1:

Word offset = 1111
 Slot = 1111 1111 1111
 Tag = 0000
 Address = 0FFFF

Address 2:

Word offset = 0001
 Slot = 1111 1111 1111
 Tag = 0011
 Address = 3FFF1

- c. With a fully associative cache, the cache is split up into a TAG and a WORDOFFSET field. We no longer need to identify which slot a memory block might map to, because a block can be in any slot and we will search each cache slot in parallel. The word-offset must be 4 bits to address each individual word in the 16-word block. This leaves 16 bits leftover for the tag.

F0010

Word offset = 0h
 Tag = F001h

CABBE

Word offset = Eh
 Tag = CABBh

- d. As computed in part a, we have 4096 cache slots. If we implement a two-way set associative cache, then it means that we put two cache slots into one set. Our cache now holds $4096/2 = 2048$ sets, where each set has two slots. To address these 2048 sets we need 11 bits ($2^{11} = 2048$). Once we address a set, we will simultaneously search both cache slots to see if one has a tag that matches the target. Our 20-bit address is now broken up as follows:

Bits 0-3 indicate the word offset

Bits 4-14 indicate the cache set

Bits 15-20 indicate the tag

F0010 = 1111 0000 0000 0001 0000

Word offset = 0000 = 0

Cache Set = 000 0000 0001 = 001

Tag = 11110 = 1 1110 = 1E

CABBE = 1100 1010 1011 1011 1110

Word offset = 1110 = E

Cache Set = 010 1011 1011 = 2BB

Tag = 11001 = 1 1001 = 19

- 4.13 Associate a 2-bit counter with each of the four blocks in a set. Initially, arbitrarily set the four values to 0, 1, 2, and 3 respectively. When a hit occurs, the counter of the block that is referenced is set to 0. The other counters in the set with values

originally lower than the referenced counter are incremented by 1; the remaining counters are unchanged. When a miss occurs, the block in the set whose counter value is 3 is replaced and its counter set to 0. All other counters in the set are incremented by 1.

4.14 Writing back a line takes $30 + (7 \times 5) = 65$ ns, enough time for 2.17 single-word memory operations. If the average line that is written at least once is written more than 2.17 times, the write-back cache will be more efficient.

- 4.15 a.** A reference to the first instruction is immediately followed by a reference to the second.
b. The ten accesses to $a[i]$ within the inner for loop which occur within a short interval of time.

4.16 Define

C_i = Average cost per bit, memory level i

S_i = Size of memory level i

T_i = Time to access a word in memory level i

H_i = Probability that a word is in memory i and in no higher-level memory

B_i = Time to transfer a block of data from memory level $(i + 1)$ to memory level i

Let cache be memory level 1; main memory, memory level 2; and so on, for a total of N levels of memory. Then

$$C_s = \frac{\sum_{i=1}^N C_i S_i}{\sum_{i=1}^N S_i}$$

The derivation of T_s is more complicated. We begin with the result from probability theory that:

$$\text{Expected Value of } x = \sum_{i=1}^N i \Pr[x = i]$$

We can write:

$$T_s = \sum_{i=1}^N T_i H_i$$

We need to realize that if a word is in M_1 (cache), it is read immediately. If it is in M_2 but not M_1 , then a block of data is transferred from M_2 to M_1 and then read.

Thus:

$$T_2 = B_1 + T_1$$

Further

$$T_3 = B_2 + T_2 = B_1 + B_2 + T_1$$

Generalizing:

$$T_i = \sum_{j=1}^{i-1} B_j + T_1$$

So

$$T_s = \sum_{i=2}^N \sum_{j=1}^{i-1} (B_j H_i) + T_1 \sum_{i=1}^N H_i$$

But

$$\sum_{i=1}^N H_i = 1$$

Finally

$$T_s = \sum_{i=2}^N \sum_{j=1}^{i-1} (B_j H_i) + T_1$$

4.17 Main memory consists of 512 blocks of 64 words. Cache consists of 16 sets; each set consists of 4 slots; each slot consists of 64 words. Locations 0 through 4351 in main memory occupy blocks 0 through 67. On the first fetch sequence, block 0 through 15 are read into sets 0 through 15; blocks 16 through 31 are read into sets 0 through 15; blocks 32-47 are read into sets 0 through 15; blocks 48-63 are read into sets 0 through 15; and blocks 64-67 are read into sets 0 through 3. Because each set has 4 slots, there is no replacement needed through block 63. The last 4 groups of blocks involve a replacement. On each successive pass, replacements will be required in sets 0 through 3, but all of the blocks in sets 4 through 15 remain undisturbed. Thus, on each successive pass, 48 blocks are undisturbed, and the remaining 20 must read in.

Let T be the time to read 64 words from cache. Then 10T is the time to read 64 words from main memory. If a word is not in the cache, then it can only be ready by first transferring the word from main memory to the cache and then reading the cache. Thus the time to read a 64-word block from cache if it is missing is 11T.

We can now express the improvement factor as follows. With no cache

$$\text{Fetch time} = (10 \text{ passes}) (68 \text{ blocks/pass}) (10T/\text{block}) = 6800T$$

With cache

$$\begin{aligned} \text{Fetch time} &= (68) (11T) && \text{first pass} \\ &+ (9) (48) (T) + (9) (20) (11T) && \text{other passes} \\ &= 3160T \end{aligned}$$

$$\text{Improvement} = \frac{6800T}{3160T} = 2.15$$

4.18 a.

Access 63	1 Miss	Block 3 → Slot 3	
Access 64	1 Miss	Block 4 → Slot 0	
Access 65-70	6 Hits		
Access 15	1 Miss	Block 0 → Slot 0	First Loop
Access 16	1 Miss	Block 1 → Slot 1	
Access 17-31	15 Hits		
Access 32	1 Miss	Block 2 → Slot 2	
Access 80	1 Miss	Block 5 → Slot 1	
Access 81-95	15 Hits		
Access 15	1 Hit		Second Loop
Access 16	1 Miss	Block 1 → Slot 1	
Access 17-31	15 hits		
Access 32	1 Hit		
Access 80	1 Miss	Block 5 → Slot 1	
Access 81-95	15 hits		
Access 15	1 Hit		Third Loop
Access 16	1 Miss	Block 1 → Slot 1	
Access 17-31	15 hits		
Access 32	1 Hit		
Access 80	1 Miss	Block 5 → Slot 1	
Access 81-95	15 hits		
Access 15	1 Hit		Fourth Loop

... Pattern continues to the Tenth Loop

For lines 63-70	2 Misses	6 Hits
First loop 15-32, 80-95	4 Misses	30 Hits
Second loop 15-32, 80-95	2 Misses	32 Hits
Third loop 15-32, 80-95	2 Misses	32 Hits
Fourth loop 15-32, 80-95	2 Misses	32 Hits
Fifth loop 15-32, 80-95	2 Misses	32 Hits
Sixth loop 15-32, 80-95	2 Misses	32 Hits
Seventh loop 15-32, 80-95	2 Misses	32 Hits
Eighth loop 15-32, 80-95	2 Misses	32 Hits
Ninth loop 15-32, 80-95	2 Misses	32 Hits
Tenth loop 15-32, 80-95	2 Misses	32 Hits
Total:	24 Misses	324 Hits

Hit Ratio = $324/348 = 0.931$

b.

Access 63	1 Miss	Block 3 → Set 1 Slot 2	
Access 64	1 Miss	Block 4 → Set 0 Slot 0	
Access 65-70	6 Hits		
Access 15	1 Miss	Block 0 → Set 0 Slot 1	First Loop
Access 16	1 Miss	Block 1 → Set 1 Slot 3	
Access 17-31	15 Hits		
Access 32	1 Miss	Block 2 → Set 0 Slot 0	
Access 80	1 Miss	Block 5 → Set 1 Slot 2	
Access 81-95	15 Hits		
Access 15	1 Hit		Second Loop
Access 16-31	16 Hits		
Access 32	1 Hit		
Access 80-95	16 Hits		

... All hits for the next eight iterations

For lines 63-70	2 Misses	6 Hits
First loop 15-32, 80-95	4 Misses	30 Hits
Second loop 15-32, 80-95	0 Misses	34 Hits
Third loop 15-32, 80-95	0 Misses	34 Hits
Fourth loop 15-32, 80-95	0 Misses	34 Hits
Fifth loop 15-32, 80-95	0 Misses	34 Hits
Sixth loop 15-32, 80-95	0 Misses	34 Hits
Seventh loop 15-32, 80-95	0 Misses	34 Hits
Eighth loop 15-32, 80-95	0 Misses	34 Hits
Ninth loop 15-32, 80-95	0 Misses	34 Hits
Tenth loop 15-32, 80-95	0 Misses	34 Hits
Total = 6 Misses	342 Hits	
Hit Ratio = 342/348 = 0.983		

- 4.19 a. $\text{Cost} = C_m \times 8 \times 10^6 = 8 \times 10^3 \text{ ¢} = \80
 b. $\text{Cost} = C_c \times 8 \times 10^6 = 8 \times 10^4 \text{ ¢} = \800
 c. From Equation (4.1): $1.1 \times T_1 = T_1 + (1 - H)T_2$
 $(0.1)(100) = (1 - H)(1200)$
 $H = 1190/1200$

- 4.20 a. Under the initial conditions, using Equation (4.1), the average access time is

$$T_1 + (1 - H) T_2 = 1 + (0.05) T_2$$

Under the changed conditions, the average access time is

$$1.5 + (0.03) T_2$$

For improved performance, we must have

$$1 + (0.05) T_2 > 1.5 + (0.03) T_2$$

Solving for T_2 , the condition is $T_2 > 50$

- b. As the time for access when there is a cache miss become larger, it becomes more important to increase the hit ratio.
- 4.21 a. First, 2.5 ns are needed to determine that a cache miss occurs. Then, the required line is read into the cache. Then an additional 2.5 ns are needed to read the requested word.
 $T_{\text{miss}} = 2.5 + 50 + (15)(5) + 2.5 = 130 \text{ ns}$
 b. The value T_{miss} from part (a) is equivalent to the quantity $(T_1 + T_2)$ in Equation (4.1). Under the initial conditions, using Equation (4.1), the average access time is

$$T_s = H \times T_1 + (1 - H) \times (T_1 + T_2) = (0.95)(2.5) + (0.05)(130) = 8.875 \text{ ns}$$

Under the revised scheme, we have:

$$T_{\text{miss}} = 2.5 + 50 + (31)(5) + 2.5 = 210 \text{ ns}$$

and

$$T_s = H \times T_1 + (1 - H) \times (T_1 + T_2) = (0.97)(2.5) + (0.03)(210) = 8.725 \text{ ns}$$

4.22 There are three cases to consider:

Location of referenced word	Probability	Total time for access in ns
In cache	0.9	20
Not in cache, but in main memory	$(0.1)(0.6) = 0.06$	$60 + 20 = 80$
Not in cache or main memory	$(0.1)(0.4) = 0.04$	$12\text{ms} + 60 + 20 = 12,000,080$

So the average access time would be:

$$\text{Avg} = (0.9)(20) + (0.06)(80) + (0.04)(12000080) = 480026 \text{ ns}$$

4.23 a. Consider the execution of 100 instructions. Under **write-through**, this creates 200 cache references (168 read references and 32 write references). On average, the read references result in $(0.03) \times 168 = 5.04$ read misses. For each read miss, a line of memory must be read in, generating $5.04 \times 8 = 40.32$ physical words of traffic. For write misses, a single word is written back, generating 32 words of traffic. **Total traffic:** 72.32 words. For **write back**, 100 instructions create 200 cache references and thus 6 cache misses. Assuming 30% of lines are dirty, on average 1.8 of these misses require a line write before a line read. Thus, **total traffic** is $(6 + 1.8) \times 8 = 62.4$ words. The traffic rate:

Write through = 0.7232 byte/instruction

Write back = 0.624 bytes/instruction

- b. For write-through: $[(0.05) \times 168 \times 8] + 32 = 99.2 \rightarrow 0.992$ bytes/instruction
For write-back: $(10 + 3) \times 8 = 104 \rightarrow 0.104$ bytes/instruction
- c. For write-through: $[(0.07) \times 168 \times 8] + 32 = 126.08 \rightarrow 0.12608$ bytes/instruction
For write-back: $(14 + 4.2) \times 8 = 145.6 \rightarrow 0.1456$ bytes/instruction
- d. A 5% miss rate is roughly a crossover point. At that rate, the memory traffic is about equal for the two strategies. For a lower miss rate, write-back is superior. For a higher miss rate, write-through is superior.

4.24 a. One clock cycle equals 60 ns, so a cache access takes 120 ns and a main memory access takes 180 ns. The effective length of a memory cycle is $(0.9 \times 120) + (0.1 \times 180) = 126$ ns.

- b. The calculation is now $(0.9 \times 120) + (0.1 \times 300) = 138$ ns. Clearly the performance degrades. However, note that although the memory access time increases by 120 ns, the average access time increases by only 12 ns.

4.25 a. For a 1 MIPS processor, the average instruction takes 1000 ns to fetch and execute. On average, an instruction uses two bus cycles for a total of 600 ns, so the bus utilization is 0.6

- b. For only half of the instructions must the bus be used for instruction fetch. Bus utilization is now $(150 + 300)/1000 = 0.45$. This reduces the waiting time for other bus requestors, such as DMA devices and other microprocessors.

4.26 a. $T_a = T_c + (1 - H)T_b + W(T_m - T_c)$

b. $T_a = T_c + (1 - H)T_b + W_b(1 - H)T_b = T_c + (1 - H)(1 + W_b)T_b$

4.27 $T_a = [T_{c1} + (1 - H_1)T_{c2}] + (1 - H_2)T_m$

4.28 a. miss penalty = $1 + 4 = 5$ clock cycles

b. miss penalty = $4 \times (1 + 4) = 20$ clock cycles

c. miss penalty = miss penalty for one word + 3 = 8 clock cycles.

4.29 The average miss penalty equals the miss penalty times the miss rate. For a line size of one word, average miss penalty = $0.032 \times 5 = 0.16$ clock cycles. For a line size of 4 words and the nonburst transfer, average miss penalty = $0.011 \times 20 = 0.22$ clock cycles. For a line size of 4 words and the burst transfer, average miss penalty = $0.011 \times 8 = 0.132$ clock cycles.

Please Do Not
Post on Web

CHAPTER 5 INTERNAL MEMORY

ANSWERS TO QUESTIONS

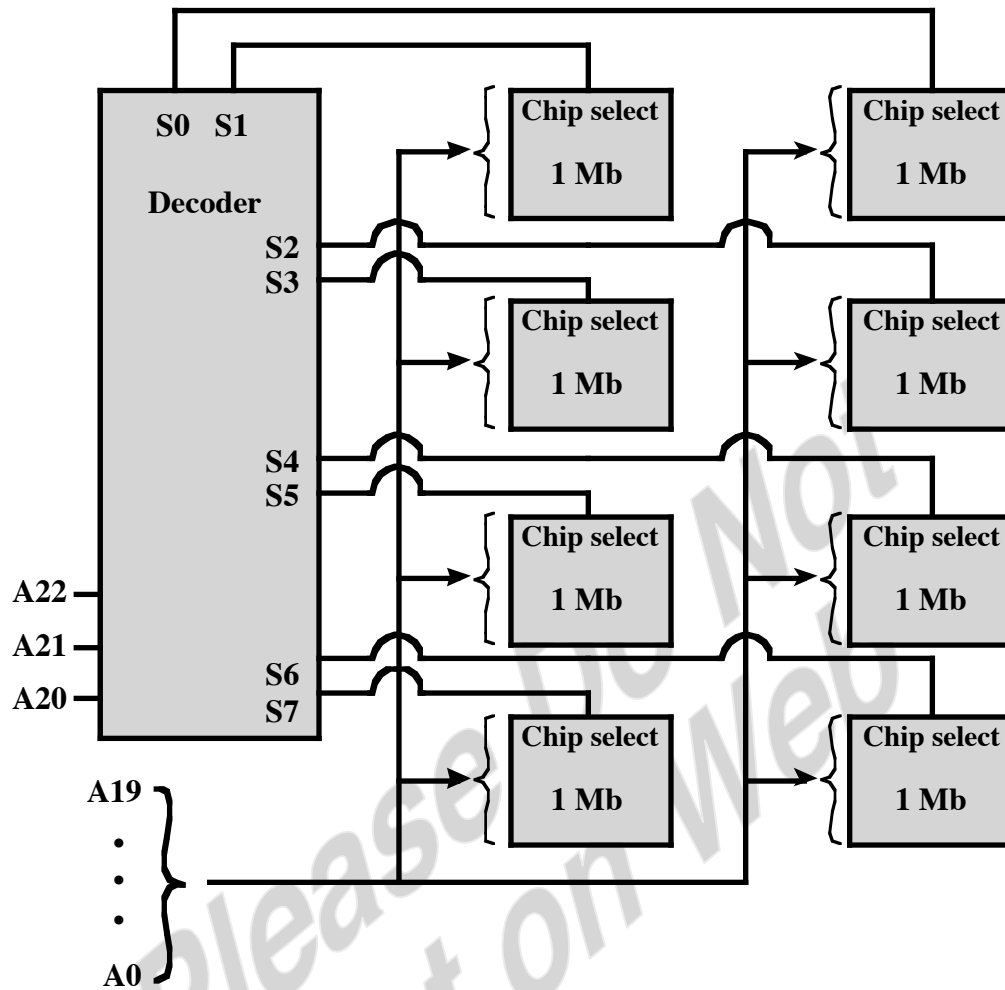
- 5.1 They exhibit two stable (or semistable) states, which can be used to represent binary 1 and 0; they are capable of being written into (at least once), to set the state; they are capable of being read to sense the state.
- 5.2 (1) A memory in which individual words of memory are directly accessed through wired-in addressing logic. (2) Semiconductor main memory in which it is possible both to read data from the memory and to write new data into the memory easily and rapidly.
- 5.3 SRAM is used for cache memory (both on and off chip), and DRAM is used for main memory.
- 5.4 SRAMs generally have faster access times than DRAMs. DRAMs are less expensive and smaller than SRAMs.
- 5.5 A **DRAM cell** is essentially an analog device using a capacitor; the capacitor can store any charge value within a range; a threshold value determines whether the charge is interpreted as 1 or 0. A **SRAM cell** is a digital device, in which binary values are stored using traditional flip-flop logic-gate configurations.
- 5.6 Microprogrammed control unit memory; library subroutines for frequently wanted functions; system programs; function tables.
- 5.7 **EPROM** is read and written electrically; before a write operation, all the storage cells must be erased to the same initial state by exposure of the packaged chip to ultraviolet radiation. Erasure is performed by shining an intense ultraviolet light through a window that is designed into the memory chip. **EEPROM** is a read-mostly memory that can be written into at any time without erasing prior contents; only the byte or bytes addressed are updated. **Flash memory** is intermediate between EPROM and EEPROM in both cost and functionality. Like EEPROM, flash memory uses an electrical erasing technology. An entire flash memory can be erased in one or a few seconds, which is much faster than EPROM. In addition, it is possible to erase just blocks of memory rather than an entire chip. However, flash memory does not provide byte-level erasure. Like EPROM, flash memory uses only one transistor per bit, and so achieves the high density (compared with EEPROM) of EPROM.
- 5.8 A0 - A1 = address lines. CAS = column address select. D1 - D4 = data lines. NC: = no connect. OE: output enable. RAS = row address select. Vcc: = voltage source. Vss: = ground. WE: write enable.

- 5.9 A bit appended to an array of binary digits to make the sum of all the binary digits, including the parity bit, always odd (odd parity) or always even (even parity).
- 5.10 A syndrome is created by the XOR of the code in a word with a calculated version of that code. Each bit of the syndrome is 0 or 1 according to if there is or is not a match in that bit position for the two inputs. If the syndrome contains all 0s, no error has been detected. If the syndrome contains one and only one bit set to 1, then an error has occurred in one of the 4 check bits. No correction is needed. If the syndrome contains more than one bit set to 1, then the numerical value of the syndrome indicates the position of the data bit in error. This data bit is inverted for correction.
- 5.11 Unlike the traditional DRAM, which is asynchronous, the SDRAM exchanges data with the processor synchronized to an external clock signal and running at the full speed of the processor / memory bus without imposing wait states.

ANSWERS TO PROBLEMS

- 5.1 The 1-bit-per-chip organization has several advantages. It requires fewer pins on the package (only one data out line); therefore, a higher density of bits can be achieved for a given size package. Also, it is somewhat more reliable because it has only one output driver. These benefits have led to the traditional use of 1-bit-per-chip for RAM. In most cases, ROMs are much smaller than RAMs and it is often possible to get an entire ROM on one or two chips if a multiple-bits-per-chip organization is used. This saves on cost and is sufficient reason to adopt that organization.
- 5.2 In 1 ms, the time devoted to refresh is $64 \times 150 \text{ ns} = 9600 \text{ ns}$. The fraction of time devoted to memory refresh is $(9.6 \times 10^{-6} \text{ s}) / 10^{-3} \text{ s} = 0.0096$, which is approximately 1%.
- 5.3 a. Memory cycle time = $60 + 40 = 100 \text{ ns}$. The maximum data rate is 1 bit every 100 ns, which is 10 Mbps.
b. $320 \text{ Mbps} = 40 \text{ MB/s}$.

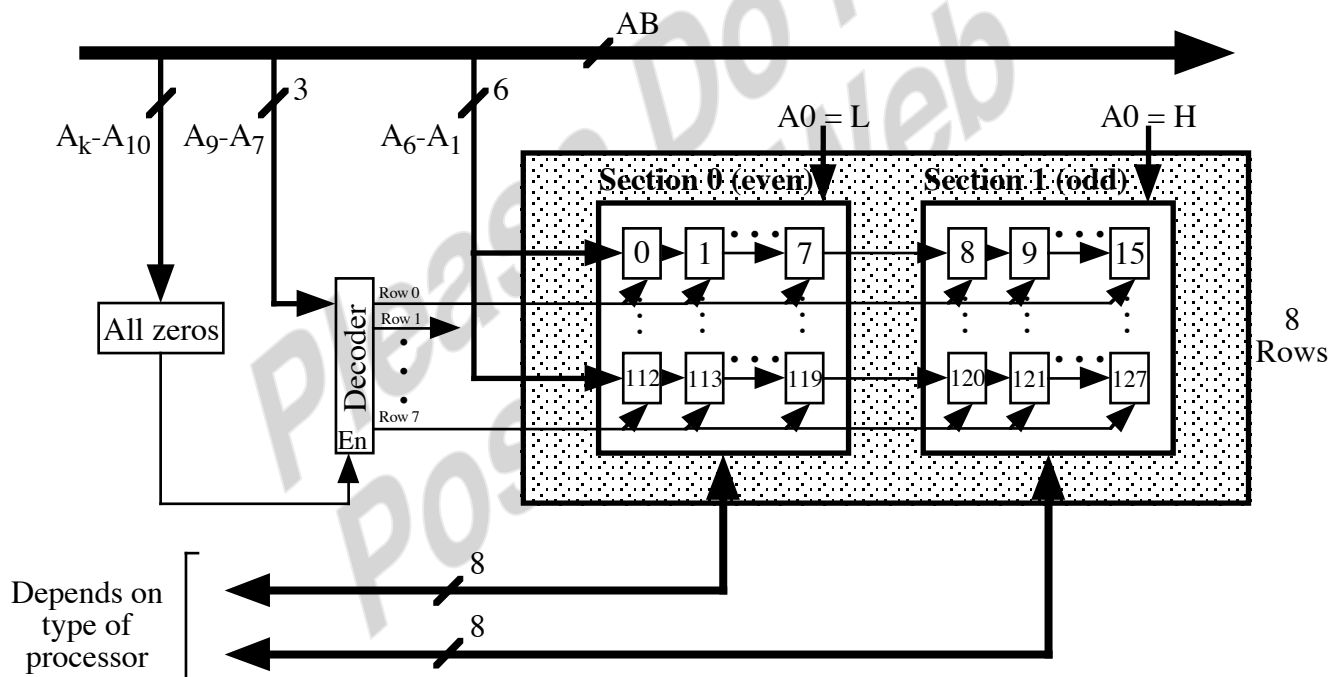
5.4



- 5.5 a. The length of a clock cycle is 100 ns. Mark the beginning of T_1 as time 0. Address Enable returns to a low at 75. $\overline{\text{RAS}}$ goes active 50 ns later, or time 125. Data must become available by the DRAMs at time $300 - 60 = 240$. Hence, access time must be no more than $240 - 125 = 115$ ns.
- b. A single wait state will increase the access time requirement to $115 + 100 = 215$ ns. This can easily be met by DRAMs with access times of 150 ns.
- 5.6 a. The refresh period from row to row must be no greater than $4000/256 = 15.625 \mu\text{s}$.
- b. An 8-bit counter is needed to count 256 rows ($2^8 = 256$).
- 5.7 a.
- | | | |
|-----------------|---------------------------------|---------------------------------|
| pulse a = write | pulse f = write | pulse k = read |
| pulse b = write | pulse g = store-disable outputs | pulse l = read |
| pulse c = write | pulse h = read | pulse m = read |
| pulse d = write | pulse i = read | pulse n = store-disable outputs |
| pulse e = write | pulse j = read | |

- b. Data is read in via pins (D3, D2, D1, D0)
 word 0 = 1111 (written into location 0 during pulse a)
 word 1 = 1110 (written into location 0 during pulse b)
 word 2 = 1101 (written into location 0 during pulse c)
 word 3 = 1100 (written into location 0 during pulse d)
 word 4 = 1011 (written into location 0 during pulse e)
 word 5 = 1010 (written into location 0 during pulse f)
 word 6 = random (did not write into this location 0)
- c. Output leads are (O3, O2, O1, O0)
 pulse h: 1111 (read location 0)
 pulse i: 1110 (read location 1)
 pulse j: 1101 (read location 2)
 pulse k: 1100 (read location 3)
 pulse l: 1011 (read location 4)
 pulse m: 1010 (read location 5)

5.8 $8192/64 = 128$ chips; arranged in 8 rows by 64 columns:



5.9 Total memory is 1 megabyte = 8 megabits. It will take 32 DRAMs to construct the memory ($32 \times 256 \text{ Kb} = 8 \text{ Mb}$). The composite failure rate is $2000 \times 32 = 64,000$ FITS. From this, we get a MTBF = $10^9/64,000 = 15625$ hours = 22 months.

5.10 The stored word is 001101001111, as shown in Figure 5.10. Now suppose that the only error is in C8, so that the fetched word is 001111001111. Then the received block results in the following table:

Position	12	11	10	9	8	7	6	5	4	3	2	1
Bits	D8	D7	D6	D5	C8	D4	D3	D2	C4	D1	C2	C1
Block	0	0	1	1	1	1	0	0	1	1	1	1
Codes			1010	1001		0111				0011		

The check bit calculation after reception:

Position	Code
Hamming	1111
10	1010
9	1001
7	0111
3	0011
XOR = syndrome	1000

The nonzero result detects an error and indicates that the error is in bit position 8, which is check bit C8.

5.11 Data bits with value 1 are in bit positions 12, 11, 5, 4, 2, and 1:

Position	12	11	10	9	8	7	6	5	4	3	2	1
Bits	D8	D7	D6	D5	C8	D4	D3	D2	C4	D1	C2	C1
Block	1	1	0	0		0	0	1		0		
Codes	1100	1011						0101				

The check bits are in bit numbers 8, 4, 2, and 1.

Check bit 8 calculated by values in bit numbers: 12, 11, 10 and 9

Check bit 4 calculated by values in bit numbers: 12, 7, 6, and 5

Check bit 2 calculated by values in bit numbers: 11, 10, 7, 6 and 3

Check bit 1 calculated by values in bit numbers: 11, 9, 7, 5 and 3

Thus, the check bits are: 0 0 1 0

5.12 The Hamming Word initially calculated was:

bit number:	12	11	10	9	8	7	6	5	4	3	2	1
	0	0	1	1	0	1	0	0	1	1	1	1

Doing an exclusive-OR of 0111 and 1101 yields 1010 indicating an error in bit 10 of the Hamming Word. Thus, the data word read from memory was 00011001.

5.13 Need K check bits such that $1024 + K \leq 2^K - 1$.

The minimum value of K that satisfies this condition is 11.

5.14 As Table 5.2 indicates, 5 check bits are needed for an SEC code for 16-bit data words. The layout of data bits and check bits:

Bit Position	Position Number	Check Bits	Data Bits
21	10101		M16
20	10100		M15
19	10011		M14
18	10010		M13
17	10001		M12
16	10000	C16	
15	01111		M11
14	01110		M10
13	01101		M9
12	01100		M8
11	01011		M7
10	01010		M6
9	01001		M5
8	01000	C8	
7	00111		M4
6	00110		M3
5	00101		M2
4	00100	C4	
3	00011		M1
2	00010	C2	
1	00001	C1	

The equations are calculated as before, for example,
 $C1 = M1 \oplus M2 \oplus M4 \oplus M5 \oplus M7 \oplus M9 \oplus M11 \oplus M12 \oplus M14 \oplus M16$.

For the word 0101000000111001, the code is
 $C16 = 1$; $C8 = 1$; $C4 = 1$; $C2 = 1$; $C1 = 0$.

If an error occurs in data bit 4:
 $C16 = 1$; $C8 = 1$; $C4 = 0$; $C2 = 0$; $C1 = 1$.

Comparing the two:

	C16	C8	C4	C2	C1
	1	1	1	1	0
	1	1	0	0	1
	0	0	1	1	1

The result is an error identified in bit position 7, which is data bit 4.

CHAPTER 6 EXTERNAL MEMORY

ANSWERS TO QUESTIONS

- 6.1 Improvement in the uniformity of the magnetic film surface to increase disk reliability. A significant reduction in overall surface defects to help reduce read/write errors. Ability to support lower fly heights (described subsequently). Better stiffness to reduce disk dynamics. Greater ability to withstand shock and damage
- 6.2 The write mechanism is based on the fact that electricity flowing through a coil produces a magnetic field. Pulses are sent to the write head, and magnetic patterns are recorded on the surface below, with different patterns for positive and negative currents. An electric current in the wire induces a magnetic field across the gap, which in turn magnetizes a small area of the recording medium. Reversing the direction of the current reverses the direction of the magnetization on the recording medium.
- 6.3 The read head consists of a partially shielded magnetoresistive (MR) sensor. The MR material has an electrical resistance that depends on the direction of the magnetization of the medium moving under it. By passing a current through the MR sensor, resistance changes are detected as voltage signals.
- 6.4 For the **constant angular velocity** (CAV) system, the number of bits per track is constant. An increase in density is achieved with **multiple zoned recording**, in which the surface is divided into a number of zones, with zones farther from the center containing more bits than zones closer to the center.
- 6.5 On a magnetic disk, data is organized on the platter in a concentric set of rings, called **tracks**. Data are transferred to and from the disk in **sectors**. For a disk with multiple platters, the set of all the tracks in the same relative position on the platter is referred to as a **cylinder**.
- 6.6 512 bytes.
- 6.7 On a movable-head system, the time it takes to position the head at the track is known as **seek time**. Once the track is selected, the disk controller waits until the appropriate sector rotates to line up with the head. The time it takes for the beginning of the sector to reach the head is known as **rotational delay**. The sum of the seek time, if any, and the rotational delay equals the **access time**, which is the time it takes to get into position to read or write. Once the head is in position, the read or write operation is then performed as the sector moves under the head; this is the data transfer portion of the operation and the time for the transfer is the **transfer time**.

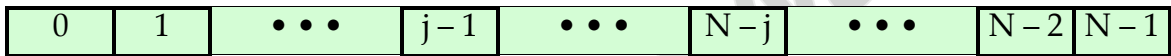
- 6.8 1. RAID is a set of physical disk drives viewed by the operating system as a single logical drive. 2. Data are distributed across the physical drives of an array. 3. Redundant disk capacity is used to store parity information, which guarantees data recoverability in case of a disk failure.
- 6.9 0: Non-redundant 1: Mirrored; every disk has a mirror disk containing the same data. 2: Redundant via Hamming code; an error-correcting code is calculated across corresponding bits on each data disk, and the bits of the code are stored in the corresponding bit positions on multiple parity disks. 3: Bit-interleaved parity; similar to level 2 but instead of an error-correcting code, a simple parity bit is computed for the set of individual bits in the same position on all of the data disks. 4: Block-interleaved parity; a bit-by-bit parity strip is calculated across corresponding strips on each data disk, and the parity bits are stored in the corresponding strip on the parity disk. 5: Block-interleaved distributed parity; similar to level 4 but distributes the parity strips across all disks. 6: Block-interleaved dual distributed parity; two different parity calculations are carried out and stored in separate blocks on different disks.
- 6.10 The disk is divided into strips; these strips may be physical blocks, sectors, or some other unit. The strips are mapped round robin to consecutive array members. A set of logically consecutive strips that maps exactly one strip to each array member is referred to as a *stripe*.
- 6.11 For RAID level 1, redundancy is achieved by having two identical copies of all data. For higher levels, redundancy is achieved by the use of error-correcting codes.
- 6.12 In a **parallel access** array, all member disks participate in the execution of every I/O request. Typically, the spindles of the individual drives are synchronized so that each disk head is in the same position on each disk at any given time. In an **independent access** array, each member disk operates independently, so that separate I/O requests can be satisfied in parallel.
- 6.13 For the **constant angular velocity (CAV)** system, the number of bits per track is constant. At a **constant linear velocity (CLV)**, the disk rotates more slowly for accesses near the outer edge than for those near the center. Thus, the capacity of a track and the rotational delay both increase for positions nearer the outer edge of the disk.
- 6.14 1. Bits are packed more closely on a DVD. The spacing between loops of a spiral on a CD is $1.6 \mu\text{m}$ and the minimum distance between pits along the spiral is $0.834 \mu\text{m}$. The DVD uses a laser with shorter wavelength and achieves a loop spacing of $0.74 \mu\text{m}$ and a minimum distance between pits of $0.4 \mu\text{m}$. The result of these two improvements is about a seven-fold increase in capacity, to about 4.7 GB. 2. The DVD employs a second layer of pits and lands on top of the first layer. A dual-layer DVD has a semireflective layer on top of the reflective layer, and by adjusting focus, the lasers in DVD drives can read each layer separately. This technique almost doubles the capacity of the disk, to about 8.5 GB. The lower reflectivity of the second layer limits its storage capacity so that a full doubling is not achieved.

3. The DVD-ROM can be two sided whereas data is recorded on only one side of a CD. This brings total capacity up to 17 GB.

6.15 The typical recording technique used in serial tapes is referred to as **serpentine recording**. In this technique, when data are being recorded, the first set of bits is recorded along the whole length of the tape. When the end of the tape is reached, the heads are repositioned to record a new track, and the tape is again recorded on its whole length, this time in the opposite direction. That process continues, back and forth, until the tape is full.

ANSWERS TO PROBLEMS

6.1 It will be useful to keep the following representation of the N tracks of a disk in mind:



a. Let us use the notation $P_s[j/t] = \Pr[\text{seek of length } j \text{ when head is currently positioned over track } t]$. Recognize that each of the N tracks is equally likely to be requested. Therefore the unconditional probability of selecting any particular track is $1/N$. We can then state:

$$P_s[j/t] = \frac{1}{N} \quad \text{if} \quad t \leq j-1 \text{ OR } t \geq N-j$$

$$P_s[j/t] = \frac{2}{N} \quad \text{if} \quad j-1 < t < N-j$$

In the former case, the current track is so close to one end of the disk (track 0 or track $N-1$) that only one track is exactly j tracks away. In the second case, there are two tracks that are exactly j tracks away from track t , and therefore the probability of a seek of length j is the probability that either of these two tracks is selected, which is just $2/N$.

b. Let $P_s[K] = \Pr[\text{seek of length } K, \text{ independent of current track position}]$. Then:

$$\begin{aligned} P_s[K] &= \sum_{t=0}^{N-1} P_s[K/t] \times \Pr[\text{current track is track } t] \\ &= \frac{1}{N} \sum_{t=0}^{N-1} P_s[K/t] \end{aligned}$$

From part (a), we know that $P_s[K/t]$ takes on the value $1/N$ for $2K$ of the tracks, and the value $2/N$ for $(N-2K)$ of the tracks. So

$$P_s[K] = \frac{1}{N} \left[\frac{2K}{N} + \frac{2(N-2K)}{N} \right] = \frac{2K + 2(N-2K)}{N^2} = \frac{2}{N} - \frac{2K}{N^2}$$

c.

$$\begin{aligned}
 E[K] &= \sum_{K=0}^{N-1} K \times \text{Pr}[K] = \sum_{K=0}^{N-1} \frac{2K}{N} - \frac{2K^2}{N^2} = \frac{2}{N} \sum_{K=0}^{N-1} K - \frac{2}{N^2} \sum_{K=0}^{N-1} K^2 \\
 &= \frac{2}{N} \frac{(N-1)N}{2} - \frac{2}{N^2} \frac{(N-1)N(2N-1)}{6} = (N-1) - \frac{(N-1)(2N-1)}{3N} \\
 &= \frac{3N(N-1) - (N-1)(2N-1)}{3N} = \frac{N^2 - 1}{3N}
 \end{aligned}$$

d. This follows directly from the last equation.

$$6.2 \quad t_A = t_S + \frac{1}{2r} + \frac{n}{rN} \quad t_A = t_S + \frac{1}{2r} + \frac{n}{rN}$$

6.3 a. Capacity = $8 \times 512 \times 64 \times 1 \text{ KB} = 256 \text{ MB}$

b. Rotational latency = rotation_time/2 = $60/(3600 \times 2) = 8.3 \text{ ms}$.

Average access time = seek time + rotational latency = 16.3 ms

c. Each cylinder consists of 8 tracks \times 64 sectors/track \times 1 KB/sector = 512 KB, so 5 MB requires exactly 10 cylinders. The disk will need the seek time of 8 ms to find cylinder i , 8.3 ms on average to find sector 0, and $8 \times (60/3.6) = 133.3 \text{ ms}$ to read all 8 tracks on one cylinder. Then, the time needed to move to the next adjoining cylinder is 1.5 ms, which is the track-to-track access time. Assume a rotational latency before each track.

Access Time = $8 + 9 \times (8.3 + 133.3 + 1.5) + (8.3 + 133.3) = 1425.5 \text{ ms}$

d. Burst rate = $\frac{\text{revolutions}}{\text{second}} \times \frac{\text{sectors}}{\text{revolution}} \times \frac{\text{bytes}}{\text{sector}} = \frac{3600}{60} \times 64 \times 1 \text{ KB} = 3.84 \text{ MB/s}$

6.4 a. If we assume that the head starts at track 0, then the calculations are simplified. If the request track is track 0, then the seek time is 0; if the requested track is track 29,999, then the seek time is the time to traverse 29,999 tracks. For a random request, on average the number of tracks traversed is $29,999/2 = 14999.5$ tracks. At one ms per 100 tracks, the average seek time is therefore 149.995 ms.

b. At 7200 rpm, there is one revolution every 8.333 ms. Therefore, the average rotational delay is 4.167 ms.

c. With 600 sectors per track and the time for one complete revolution of 8.333 ms, the transfer time for one sector is $8.333 \text{ ms}/600 = 0.01389 \text{ ms}$.

d. The result is the sum of the preceding quantities, or approximately 154 ms.

6.5 Each sector can hold 4 logical records. The required number of sectors is $300,000/4 = 75,000$ sectors. This requires $75,000/96 = 782$ tracks, which in turn requires $782/110 = 8$ surfaces.

6.6 a. The time consists of the following components: sector read time; track access time; rotational delay; and sector write time. The time to read or write 1 sector is calculated as follows: A single revolution to read or write an entire track takes $60,000/360 = 16.7 \text{ ms}$. Time to read or write a single sector = $16.7/32 =$

0.52 ms. Track access time = 2 ms, because the head moves between adjacent tracks. The rotational delay is the time required for the head to line up with sector 1 again. This is $16.7 \times (31/32) = 16.2$ ms. The head movement time of 2 ms overlaps with the 16.2 ms of rotational delay, and so only the rotational delay time is counted. Total transfer time = $0.52 + 16.2 + 0.52 = 17.24$ ms.

- b. The time to read or write an entire track is simply the time for a single revolution, which is 16.7 ms. Between the read and the write there is a head movement time of 2 ms to move from track 8 to track 9. During this time the head moves past 3 sectors and most of a fourth sector. However, because the entire track is buffered, sectors can be written back in a different sequence from the read sequence. Thus, the write can start with sector 5 of track 9. This sector is reached $0.52 \times 4 = 2.08$ ms after the completion of the read operation. Thus the total transfer time = $16.7 + 2.08 + 16.7 = 35.48$ ms.

6.7 It depends on the nature of the I/O request pattern. On one extreme, if only a single process is doing I/O and is only doing one large I/O at a time, then disk striping improves performance. If there are many processes making many small I/O requests, then a nonstriped array of disks should give comparable performance to RAID 0.

6.8 RAID 0: 800 GB RAID 4: 600 GB
 RAID 1: 400 GB RAID 5: 600 GB
 RAID 3: 600 GB RAID 6: 400 GB

6.9 With the CD scheme, bit density improves by a factor of 3, but there is an increase in the number of bits by a factor of 14/8. Net improvement factor is $3 \times (8/14) \approx 1.7$. That is, the CD scheme has a data storage density 1.7 times greater than the direct recording scheme.

6.10 a. $2 \times 3 \times \$150 = \900

b. $\$2500 + (3 \times 3 \times \$50) = \$2950$

c. Let Z = the number of GB at which the two approaches yield approximately the same cost. For the disk, the cost is $C_d = (Z/500) \times 3 \times \150 . For tape, the cost is $C_t = 2500 + ((Z/400) \times 3 \times \$50)$. If we set $C_d = C_t$ and solve for Z , we get $Z = 4762$. So the size of the backup would have to be about 5 TB for tape to be less expensive.

d. One where you keep a lot of backup sets.

CHAPTER 7 INPUT/OUTPUT

ANSWERS TO QUESTIONS

- 7.1 **Human readable:** Suitable for communicating with the computer user. **Machine readable:** Suitable for communicating with equipment. **Communication:** Suitable for communicating with remote devices
- 7.2 The most commonly used text code is the International Reference Alphabet (IRA), in which each character is represented by a unique 7-bit binary code; thus, 128 different characters can be represented.
- 7.3 Control and timing. Processor communication. Device communication. Data buffering. Error detection.
- 7.4 **Programmed I/O:** The processor issues an I/O command, on behalf of a process, to an I/O module; that process then busy-waits for the operation to be completed before proceeding. **Interrupt-driven I/O:** The processor issues an I/O command on behalf of a process, continues to execute subsequent instructions, and is interrupted by the I/O module when the latter has completed its work. The subsequent instructions may be in the same process, if it is not necessary for that process to wait for the completion of the I/O. Otherwise, the process is suspended pending the interrupt and other work is performed. **Direct memory access (DMA):** A DMA module controls the exchange of data between main memory and an I/O module. The processor sends a request for the transfer of a block of data to the DMA module and is interrupted only after the entire block has been transferred.
- 7.5 With **memory-mapped I/O**, there is a single address space for memory locations and I/O devices. The processor treats the status and data registers of I/O modules as memory locations and uses the same machine instructions to access both memory and I/O devices. With **isolated I/O**, a command specifies whether the address refers to a memory location or an I/O device. The full range of addresses may be available for both.
- 7.6 Four general categories of techniques are in common use: multiple interrupt lines; software poll; daisy chain (hardware poll, vectored); bus arbitration (vectored).
- 7.7 The processor pauses for each bus cycle stolen by the DMA module.

ANSWERS TO PROBLEMS

- 7.1 In the first addressing mode, $2^8 = 256$ ports can be addressed. Typically, this would allow 128 devices to be addressed. However, an opcode specifies either an input or output operation, so it is possible to reuse the addresses, so that there are 256 input port addresses and 256 output port addresses. In the second addressing mode, $2^{16} = 64\text{K}$ port addresses are possible.
- 7.2 In direct addressing mode, an instruction can address up to $2^{16} = 64\text{K}$ ports. In indirect addressing mode, the port address resides in a 16-bit registers, so again, the instruction can address up to $2^{16} = 64\text{K}$ ports.
- 7.3 64 KB
- 7.4 Using non-block I/O instructions, the transfer takes $20 \times 128 = 2560$ clock cycles. With block I/O, the transfer takes $5 \times 128 = 640$ clock cycles (ignoring the one-time fetching of the iterative instruction and its operands). The speedup is $(2560 - 640) / 2560 = 0.75$, or 75%.
- 7.5
- Each I/O device requires one output (from the point of view of the processor) port for commands and one input port for status.
 - The first device requires only one port for data, while the second devices requires and input data port and an output data port. Because each device requires one command and one status port, the total number of ports is seven.
 - seven.
- 7.6
- The printing rate is slowed to 5 cps.
 - The situation must be treated differently with input devices such as the keyboard. It is necessary to scan the buffer at a rate of at least once per 60 ms. Otherwise, there is the risk of overwriting characters in the buffer.
- 7.7 At 8 MHz, the processor has a clock period of $0.125 \mu\text{s}$, so that an instruction cycle takes $12 \times 0.125 = 1.5 \mu\text{s}$. To check status requires one input-type instruction to read the device status register, plus at least one other instruction to examine the register contents. If the device is ready, one output-type instruction is needed to present data to the device handler. The total is 3 instructions, requiring $4.5 \mu\text{s}$.
- 7.8 **Advantages of memory mapped I/O:**
- No additional control lines are needed on the bus to distinguish memory commands from I/O commands.
 - Addressing is more flexible. Examples: The various addressing modes of the instruction set can be used, and various registers can be used to exchange data with I/O modules.
- Disadvantages of memory-mapped I/O:**
- Memory-mapped I/O uses memory-reference instructions, which in most machines are longer than I/O instructions. The length of the program therefore is longer.
 - The hardware addressing logic to the I/O module is more complex, because the device address is longer.
- 7.9
- The processor scans the keyboard 10 times per second. In 8 hours, the number of times the keyboard is scanned is $10 \times 60 \times 60 \times 8 = 288,000$.

- b. Only 60 visits would be required. The reduction is $1 - (60/288000) = 0.999$, or 99.9%
- 7.10 a. The device generates 8000 interrupts per second or a rate of one every 125 μs . If each interrupt consumes 100 μs , then the fraction of processor time consumed is $100/125 = 0.8$
- b. In this case, the time interval between interrupts is $16 \times 125 = 2000 \mu\text{s}$. Each interrupt now requires 100 μs for the first character plus the time for transferring each remaining character, which adds up to $8 \times 15 = 120 \mu\text{s}$, for a total of 220 μs . The fraction of processor time consumed is $220/2000 = 0.11$
- c. The time per byte has been reduced by 6 μs , so the total time reduction is $16 \times 6 = 96 \mu\text{s}$. The fraction of processor time consumed is therefore $(220 - 96)/2000 = 0.062$. This is an improvement of almost a factor of 2 over the result from part (b).
- 7.11 If a processor is held up in attempting to read or write memory, usually no damage occurs except a slight loss of time. However, a DMA transfer may be to or from a device that is receiving or sending data in a stream (e.g., disk or tape), and cannot be stopped. Thus, if the DMA module is held up (denied continuing access to main memory), data will be lost.
- 7.12 Let us ignore data read/write operations and assume the processor only fetches instructions. Then the processor needs access to main memory once every microsecond. The DMA module is transferring characters at a rate of 1200 characters per second, or one every 833 μs . The DMA therefore "steals" every 833rd cycle. This slows down the processor approximately $\frac{1}{833} \times 100\% = 0.12\%$
- 7.13 a. For the actual transfer, the time needed is $(128 \text{ bytes}) / (50 \text{ KBps}) = 2.56 \text{ ms}$. Added to this is the time to transfer bus control at the beginning and end of the transfer, which is $250 + 250 = 500 \text{ ns}$. This additional time is negligible, so that the transfer time can be considered as 2.56 ms.
- b. The time to transfer one byte in cycle stealing mode is $250 + 500 + 250 = 1000 \text{ ns} = 1 \mu\text{s}$. Total amount of time the bus is occupied for the transfer is 128 μs . This is less than the result from part (a) by a factor of 20.
- 7.14 a. At 5 MHz, one clock cycle takes 0.2 μs . A transfer of one byte therefore takes 0.6 μs .
- b. The data rate is $1 / (0.6 \times 10^{-6}) = 1.67 \text{ MB/s}$
- c. Two wait states add an additional 0.4 μs , so that a transfer of one byte takes 1 μs . The resulting data rate is 1 MB/s.
- 7.15 A DMA cycle could take as long as 0.75 μs without the need for wait states. This corresponds to a clock period of $0.75/3 = 0.25 \mu\text{s}$, which in turn corresponds to a clock rate of 4 MHz. This approach would eliminate the circuitry associated with wait state insertion and also reduce power dissipation.
- 7.16 a. Telecommunications links can operate continuously, so burst mode cannot be used, as this would tie up the bus continuously. Cycle-stealing is needed.
- b. Because all 4 links have the same data rate, they should be given the same priority.

7.17 Only one device at a time can be serviced on a selector channel. Thus,

$$\text{Maximum rate} = 800 + 800 + 2 \times 6.6 + 2 \times 1.2 + 10 \times 1 = 1625.6 \text{ KBytes/sec}$$

- 7.18 a. The processor can only devote 5% of its time to I/O. Thus the maximum I/O instruction execution rate is $10^6 \times 0.05 = 50,000$ instructions per second. The I/O transfer rate is therefore 25,000 words/second.
- b. The number of machine cycles available for DMA control is

$$10^6(0.05 \times 5 + 0.95 \times 2) = 2.15 \times 10^6$$

If we assume that the DMA module can use all of these cycles, and ignore any setup or status-checking time, then this value is the maximum I/O transfer rate.

7.19 For each case, compute the fraction g of transmitted bits that are data bits. Then the maximum effective data rate ER is

$$ER = gR$$

- a. There are 7 data bits, 1 start bit, 1.5 stop bits, and 1 parity bit.

$$g = \frac{7}{1 + 7 + 1 + 1.5} = 7/10.5$$

$$ER = 0.67 \times R$$

- b. Each frame contains $48 + 128 = 176$ bits. The number of characters is $128/8 = 16$, and the number of data bits is $16 \times 7 = 112$.

$$ER = \frac{112}{176} \times R = 0.64 \times R$$

- c. Each frame contains $48 = 1024$ bits. The number of characters is $1024/8 = 128$, and the number of data bits is $128 \times 7 = 896$.

$$ER = \frac{896}{1072} \times R = 0.84 \times R$$

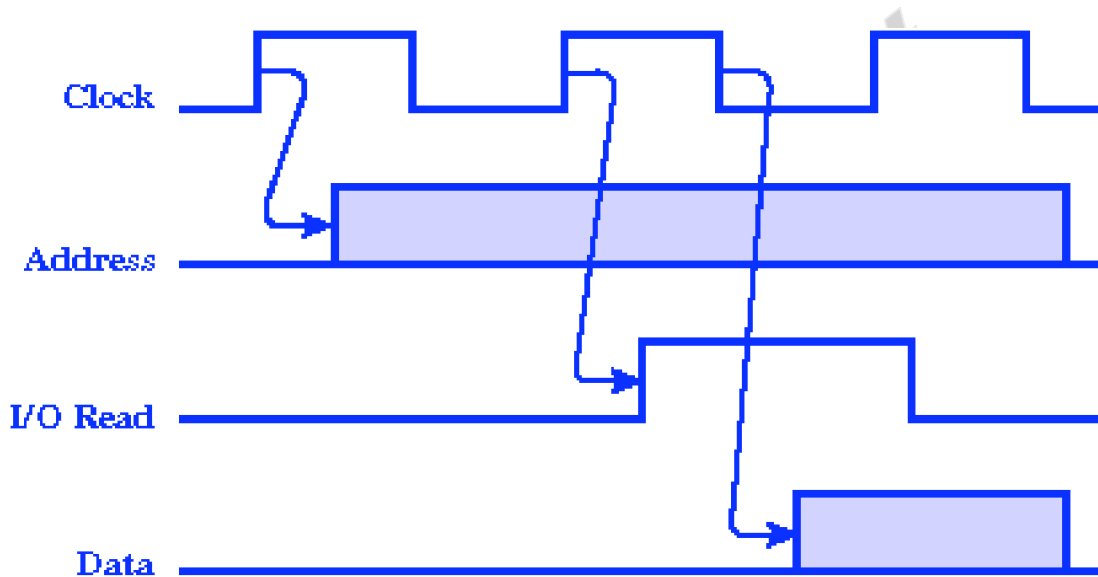
- d. With 9 control characters and 16 information characters, each frame contains $(9 + 16) \times 8 = 200$ bits. The number of data bits is $16 \times 7 = 112$ bits.

$$ER = \frac{112}{200} \times R = 0.56 \times R$$

- e. With 9 control characters and 128 information characters, each frame contains $(9 + 128) \times 8 = 1096$ bits. The number of data bits is $128 \times 7 = 896$ bits.

$$ER = \frac{896}{1096} \times R = 0.82 \times R$$

- 7.20 a. Assume that the women are working, or sleeping, or otherwise engaged. The first time the alarm goes off, it alerts both that it is time to work on apples. The next alarm signal causes apple-server to pick up an apple and throw it over the fence. The third alarm is a signal to Apple-eater that he can pick up and eat the apple. The transfer of apples is in strict synchronization with the alarm clock, which should be set to exactly match Apple-eater's needs. This procedure is analogous to standard synchronous transfer of data between a device and a computer. It can be compared to an I/O read operation on a typical bus-based system. The timing diagram is as follows:



On the first clock signal, the port address is output to the address bus. On the second signal, the I/O Read line is activated, causing the selected port to place its data on the data bus. On the third clock signal, the CPU reads the data.

A potential problem with synchronous I/O will occur if Apple-eater's needs change. If he must eat at a slower or faster rate than the clock rate, he will either have too many apples or too few.

- b. The women agree that Apple-server will pick and throw over an apple whenever he sees Apple-eater's flag waving. One problem with this approach is that if Apple-eater leaves his flag up, Apple-server will see it all the time and will inundate her friend with apples. This problem can be avoided by giving Apple-server a flag and providing for the following sequence:
1. Apple-eater raises her "hungry" flag when ready for an apple.
 2. Apple-server sees the flag and tosses over an apple.
 3. Apple-server briefly waves her "apple-sent" flag
 4. Apple-eater sees the "apple-sent" flag, takes down her "hungry" flag, and grabs the apple.
 5. Apple-eater keeps her "hungry" flag stays down until she needs another apple.

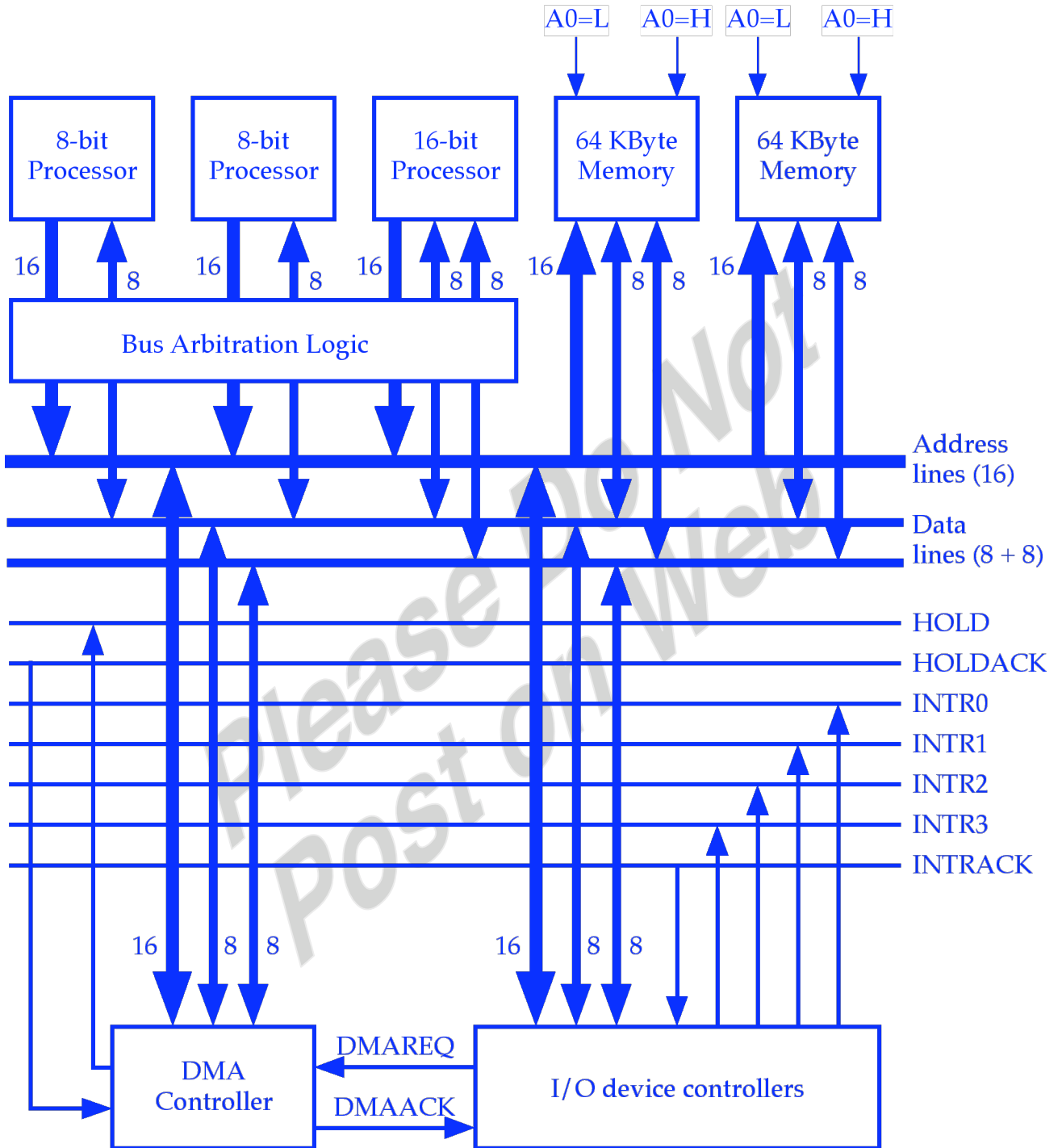
This procedure is analogous to asynchronous I/O. Unfortunately, Apple-

server may be doing something other than watching for her friend's flag (like sleeping!). In that case, she will not see the flag, and Apple-eater will go hungry. One solution is to not permit apple-server to do anything but look for her friend's flag. This is a polling, or wait-loop, approach, which is clearly inefficient.

- c. Assume that the string that goes over the fence and is tied to Apple-server's wrist. Apple-eater can pull the string when she needs an apple. When Apple-server feels a tug on the string, she stops what she is doing and throws over an apple. The string corresponds to an interrupt signal and allows Apple-server to use her time more efficiently. Moreover, if Apple-server is doing something really important, she can temporarily untie the string, disabling the interrupt.

Please Do Not
Post on Web

7.21



CHAPTER 8 OPERATING SYSTEM SUPPORT

ANSWERS TO QUESTIONS

- 8.1 The operating system (OS) is the software that controls the execution of programs on a processor and that manages the processor's resources.
- 8.2 **Program creation:** The operating system provides a variety of facilities and services, such as editors and debuggers, to assist the programmer in creating programs. **Program execution:** A number of tasks need to be performed to execute a program. Instructions and data must be loaded into main memory, I/O devices and files must be initialized, and other resources must be prepared. **Access to I/O devices:** Each I/O device requires its own peculiar set of instructions or control signals for operation. **Controlled access to files:** In the case of files, control must include an understanding of not only the nature of the I/O device (disk drive, tape drive) but also the file format on the storage medium. **System access:** In the case of a shared or public system, the operating system controls access to the system as a whole and to specific system resources. **Error detection and response:** A variety of errors can occur while a computer system is running. **Accounting:** A good operating system will collect usage statistics for various resources and monitor performance parameters such as response time.
- 8.3 **Long-term scheduling:** The decision to add to the pool of processes to be executed. **Medium-term scheduling:** The decision to add to the number of processes that are partially or fully in main memory. **Short-term scheduling:** The decision as to which available process will be executed by the processor
- 8.4 A process is a program in execution, together with all the state information required for execution.
- 8.5 The purpose of swapping is to provide for efficient use of main memory for process execution.
- 8.6 Addresses must be dynamic in the sense that absolute addresses are only resolved during loading or execution.
- 8.7 No, if virtual memory is used.
- 8.8 No.
- 8.9 No.

- 8.10 The TLB is a cache that contains those page table entries that have been most recently used. Its purpose is to avoid, most of the time, having to go to disk to retrieve a page table entry.

ANSWERS TO PROBLEMS

- 8.1 The answers are the same for **(a)** and **(b)**. Assume that although processor operations cannot overlap, I/O operations can.

1 Job:	TAT = NT	Processor utilization	=	50%
2 Jobs:	TAT = NT	Processor utilization	=	100%
4 Jobs:	TAT = (2N - 1)NT	Processor utilization	=	100%

- 8.2 I/O-bound programs use relatively little processor time and are therefore favored by the algorithm. However, if a processor-bound process is denied processor time for a sufficiently long period of time, the same algorithm will grant the processor to that process because it has not used the processor at all in the recent past. Therefore, a processor-bound process will not be permanently denied access.
- 8.3 Main memory can hold 5 pages. The size of the array is 10 pages. If the array is stored by rows, then each of the 10 pages will need to be brought into main memory once. If it is stored by columns, then each row is scattered across all ten pages, and each page will have to be brought in 100 times (once for each row calculation).
- 8.4 The number of partitions equals the number of bytes of main memory divided by the number of bytes in each partition: $2^{24}/2^{16} = 2^8$. Eight bits are needed to identify one of the 2^8 partitions.
- 8.5 Let s and h denote the average number of segments and holes, respectively. The probability that a given segment is followed by a hole in memory (and not by another segment) is 0.5, because deletions and creations are equally probable in equilibrium. so with s segments in memory, the average number of holes must be $s/2$. It is intuitively reasonable that the number of holes must be less than the number of segments because neighboring segments can be combined into a single hole on deletion.
- 8.6 a. Split binary address into virtual page number and offset; use VPN as index into page table; extract page frame number; concatenate offset to get physical memory address
- b. (i) $1052 = 1024 + 28$ maps to VPN 1 in PFN 7, ($7 \times 1024 + 28 = 7196$)
(ii) $2221 = 2 \times 1024 + 173$ maps to VPN 2, page fault
(iii) $5499 = 5 \times 1024 + 379$ maps to VPN 5 in PFN 0, ($0 \times 1024 + 379 = 379$)
- 8.7 With very small page size, there are two problems: (1) Because very little data is brought in with each page, there will need to be a lot of I/O to bring in the many small pages. (2) The overhead (page table size, length of field for page number) will be disproportionately high.
- If pages are very large, main memory will be wasted because the principle of locality suggests that only a small part of the large page will be used.

8.8 9 and 10 page transfers, respectively. This is referred to as "Belady's anomaly," and was reported in "An Anomaly in Space-Time Characteristics of Certain Programs Running in a Paging Machine," by Belady et al, *Communications of the ACM*, June 1969.

8.9 A total of fifteen pages are referenced, the hit ratios are:

N	1	2	3	4	5	6	7	8
Ratio	0/15	0/15	2/15	3/15	5/15	8/15	8/15	8/15

8.10 The principal advantage is a savings in physical memory space. This occurs for two reasons: (1) a user page table can be paged in to memory only when it is needed. (2) The operating system can allocate user page tables dynamically, creating one only when the process is created.

Of course, there is a disadvantage: address translation requires extra work.

8.11 The machine language version of this program, loaded in main memory starting at address 4000, might appear as:

```

4000      (R1) ← ONE           Establish index register for i
4001      (R1) ← n            Establish n in R2
4002      compare R1, R2     Test i > n
4003      branch greater 4009
4004      (R3) ← B(R1)       Access B[i] using index register R1
4005      (R3) ← (R3) + C(R1) Add C[i] using index register R1
4006      A(R1) ← (R3)       Store sum in A[i] using index register R1
4007      (R1) ← (R1) + ONE  Increment i
4008      branch 4002
6000-6999 storage for A
7000-7999 storage for B
8000-8999 storage for C
9000      storage for ONE
9001      storage for n

```

The reference string generated by this loop is

494944(47484649444)¹⁰⁰⁰

consisting of over 11,000 references, but involving only five distinct pages.

8.12 The S/370 segments are fixed in size and not visible to the programmer. Thus, none of the benefits listed for segmentation are realized on the S/370, with the exception of protection. The P bit in each segment table entry provides protection for the entire segment.

8.13 On average, $p/2$ words are wasted on the last page. Thus the total overhead or waste is $w = p/2 + s/p$. To find the minimum, set the first derivative to 0.

$$\frac{dw}{dp} = \frac{1}{2} - \frac{s}{p^2} = 0$$

$$p = \sqrt{2s}$$

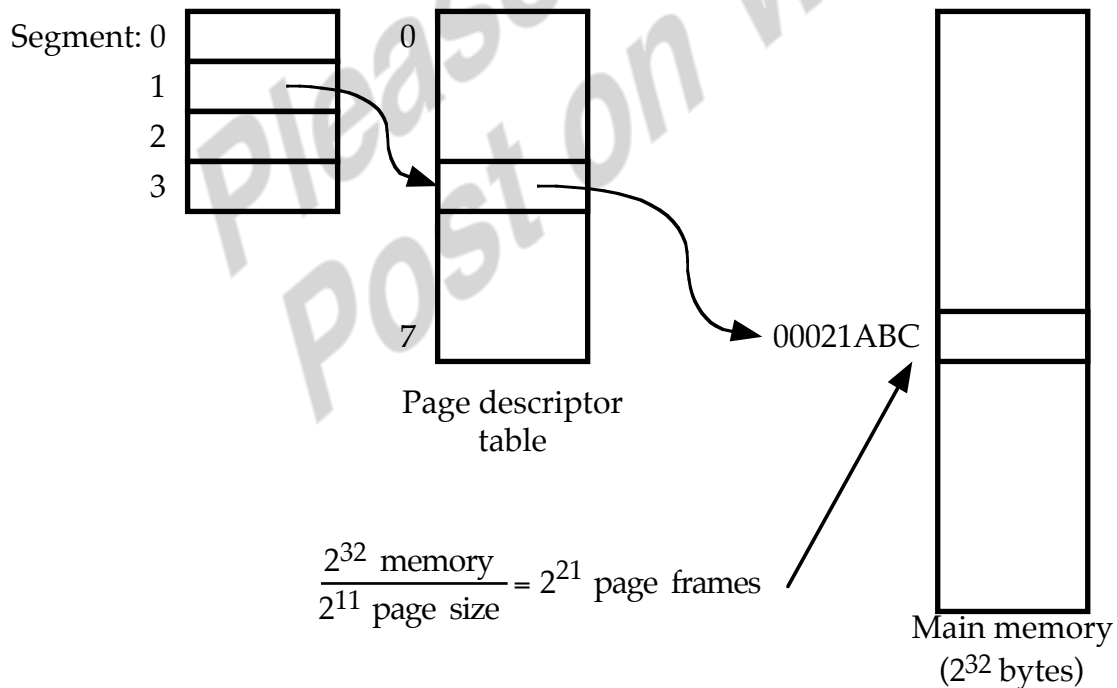
8.14 There are three cases to consider:

Location of referenced word	Probability	Total time for access in ns
In cache	0.9	20
Not in cache, but in main memory	$(0.1)(0.6) = 0.06$	$60 + 20 = 80$
Not in cache or main memory	$(0.1)(0.4) = 0.04$	$12\text{ms} + 60 + 20 = 12000080$

So the average access time would be:

$$\text{Avg} = (0.9)(20) + (0.06)(80) + (0.04)(12000080) = 480026 \text{ ns}$$

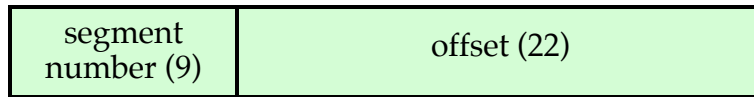
8.15 $\frac{2^{32} \text{ memory}}{2^{11} \text{ page size}} = 2^{21} \text{ page frames}$



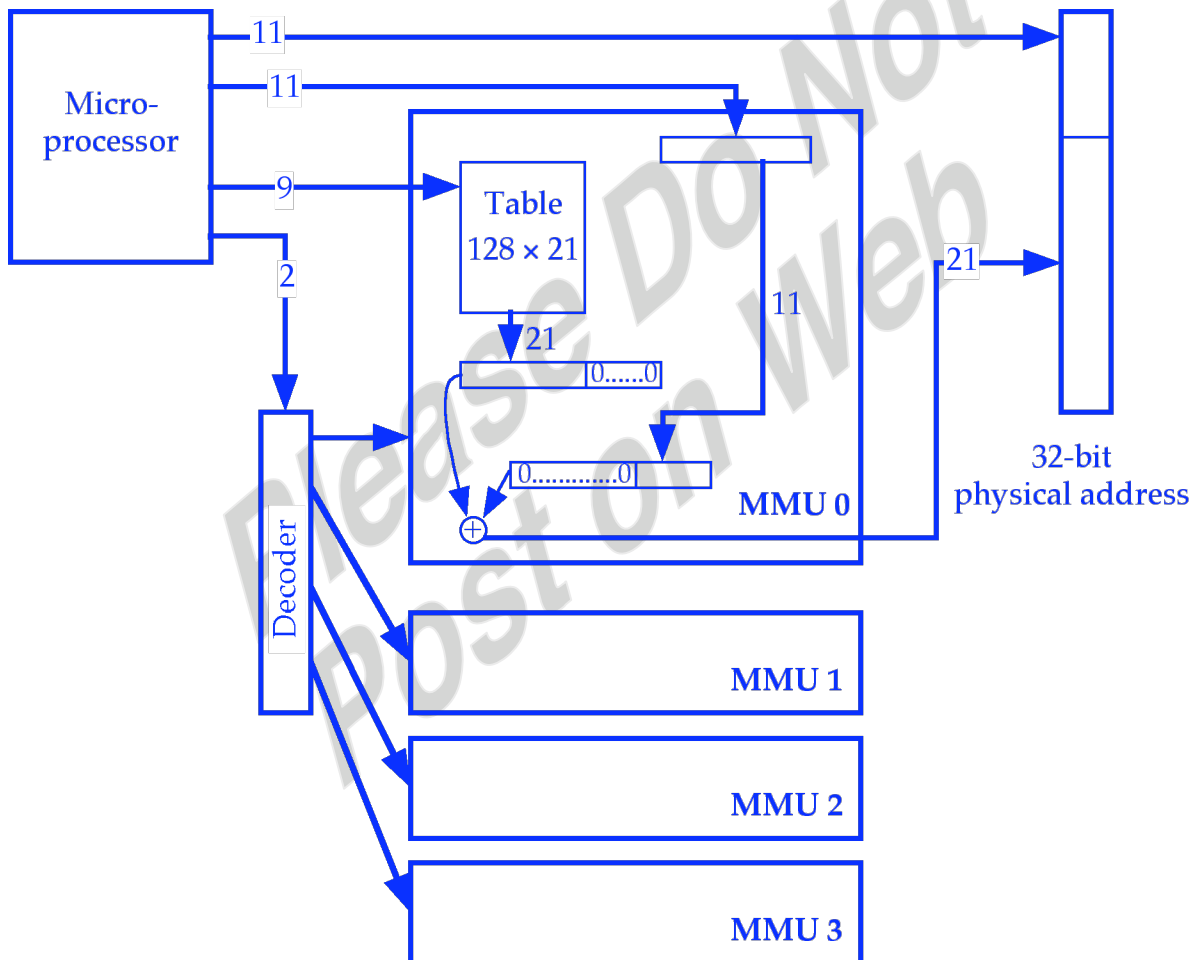
- a. $8 \times 2\text{K} = 16\text{K}$
- b. $16\text{K} \times 4 = 64\text{K}$
- c. $2^{32} = 4 \text{ GBytes}$

8.16 • The starting physical address of a segment is always evenly divisible by 1048, i.e., its rightmost 11 bits are always 0.

- Maximum logical address space = $2^9 = 512$ segments ($\times 2^{22}$ bytes/segment) = 2^{31} bytes.
- Format of logical address:



- Entries in the mapping table: $2^9 = 512$.
- Number of memory management units needed = 4.
- Each 9-bit segment number goes to an MMU; 7 bits are needed for the 128-entry table, the other 2 most significant bits are decoded to select the MMU.
- Each entry in the table is 22 bits.



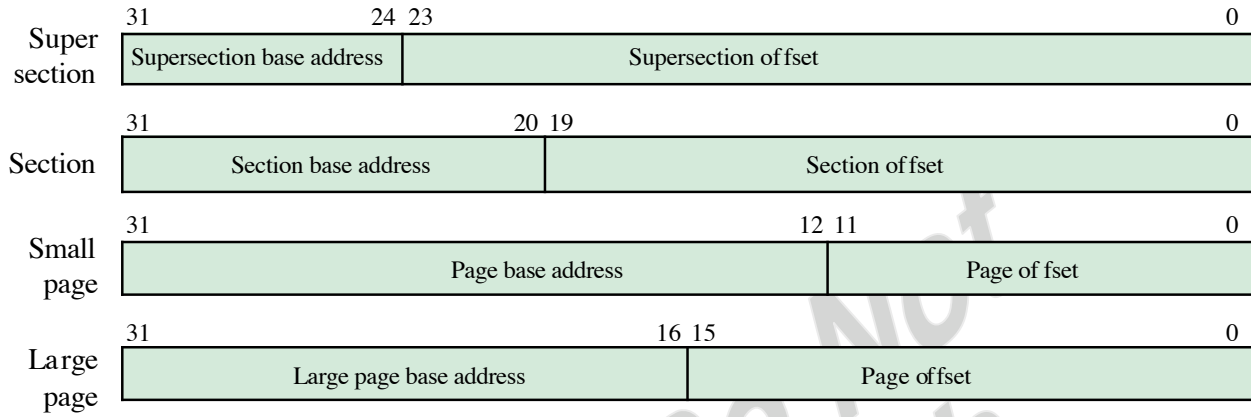
8.17 a.



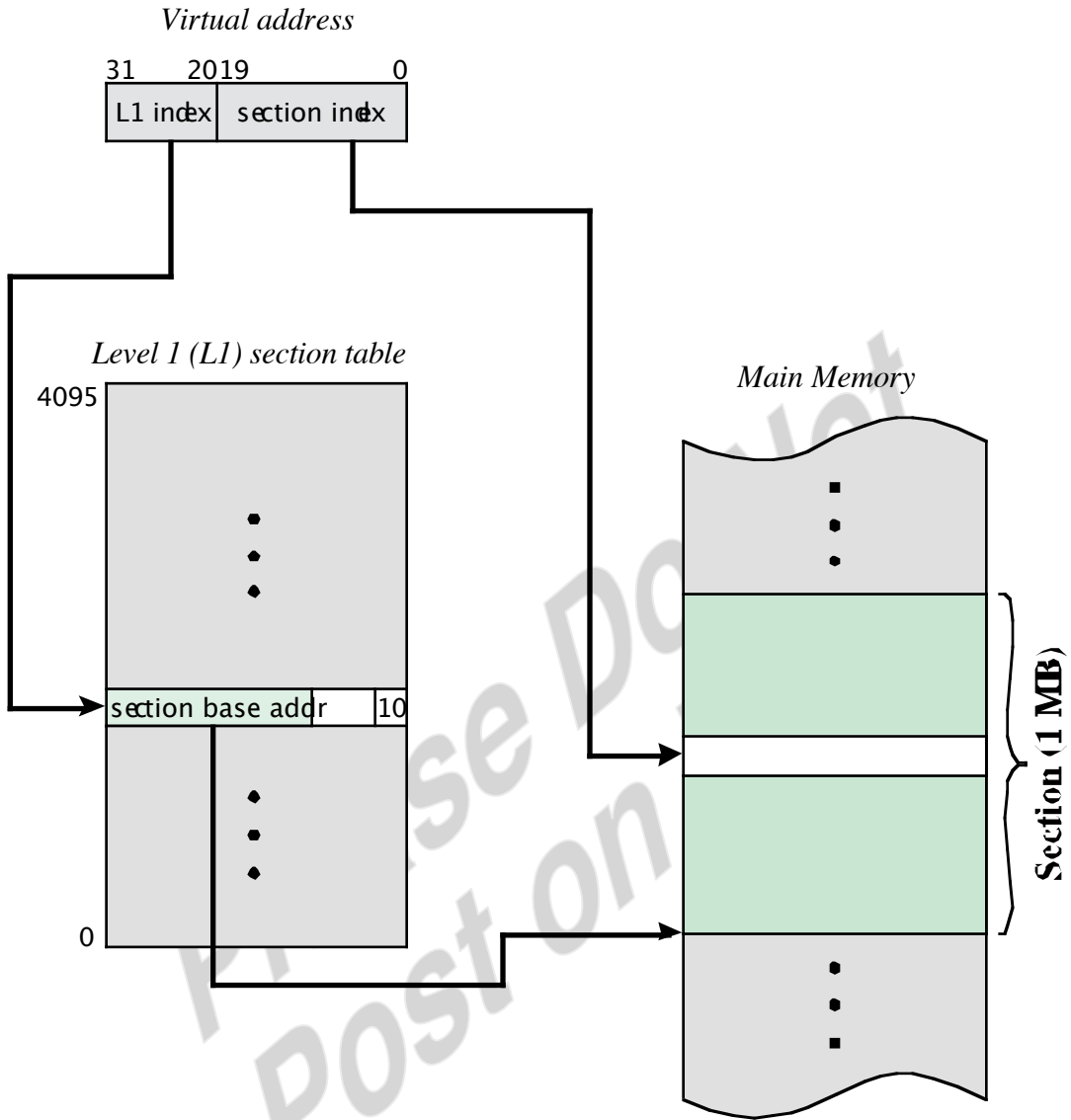
- 32 entries, each entry is 9 bits wide.
- If total number of entries stays at 32 and the page size does not change, then each entry becomes 8 bits wide.

8.18 The system operator can review this quantity to determine the degree of "stress" on the system. By reducing the number of active jobs allowed on the system, this average can be kept high. A typical guideline is that this average should be kept above 2 minutes. This may seem like a lot, but it isn't.

8.19



Please Do Not Post on Web



CHAPTER 9 COMPUTER ARITHMETIC

ANSWERS TO QUESTIONS

- 9.1 **Sign–Magnitude Representation:** In an N -bit word, the left-most bit is the sign (0 = positive, 1 = negative) and the remaining $N - 1$ bits comprise the magnitude of the number. **Twos Complement Representation:** A positive integer is represented as in sign magnitude. A negative number is represented by taking the Boolean complement of each bit of the corresponding positive number, then adding 1 to the resulting bit pattern viewed as an unsigned integer. **Biased representation:** A fixed value, called the bias, is added to the integer.
- 9.2 In sign-magnitude and twos complement, the left-most bit is a sign bit. In biased representation, a number is negative if the value of the representation is less than the bias.
- 9.3 Add additional bit positions to the left and fill in with the value of the original sign bit.
- 9.4 Take the Boolean complement of each bit of the positive number, then adding 1 to the resulting bit pattern viewed as an unsigned integer.
- 9.5 When the operation is performed on the n -bit integer -2^{n-1} (one followed by $n - 1$ zeros).
- 9.6 The **twos complement representation** of a number is the bit pattern used to represent an integer. The **twos complement** of a number is the operation that computes the negation of a number in twos complement representation.
- 9.7 The algorithm for performing twos complement addition involves simply adding the two numbers in the same way as for ordinary addition for unsigned numbers, with a test for overflow. For multiplication, if we treat the bit patterns as unsigned numbers, their magnitude is different from the twos complement versions and so the magnitude of the result will be different.
- 9.8 Sign, significand, exponent, base.
- 9.9 An advantage of biased representation is that nonnegative floating-point numbers can be treated as integers for comparison purposes.
- 9.10 **Positive overflow** refers to integer representations and refers to a number that is larger than can be represented in a given number of bits. **Exponent overflow** refers to floating point representations and refers to a positive exponent that exceeds the maximum possible exponent value. **Significand overflow** occurs when the

addition of two significands of the same sign result in a carry out of the most significant bit.

9.11 1. Check for zeros. 2. Align the significands. 3. Add or subtract the significands. 4. Normalize the result.

9.12 To avoid unnecessary loss of the least significant bit.

9.13 **Round to nearest:** The result is rounded to the nearest representable number. **Round toward $+\infty$:** The result is rounded up toward plus infinity. **Round toward $-\infty$:** The result is rounded down toward negative infinity. **Round toward 0:** The result is rounded toward zero.

ANSWERS TO PROBLEMS

9.1 Sign Magnitude: $512 = 0000\ 0010\ 0000\ 0000$
 $-29 = 1000\ 0000\ 0001\ 1101$
 Two's Complement: $512 = 0000\ 0010\ 0000\ 0000$
 $-29 = 1111\ 1111\ 1110\ 0011$

9.2 1101011: Because this starts with a leftmost 1, it is a negative number. The magnitude of the negative number is determined by flipping the bits and adding 1:

$$0010100 + 1 = 0010101$$

This is 21, so the original value was -21.

$$0101101$$

Because this starts with a leftmost 0, it is a positive number and we just compute the magnitude as an unsigned binary number, which is 45.

9.3 a. $A = -(2^{n-1} - 1)a_{n-1} + \sum_{i=0}^{n-2} 2^i a_i$

b. From $-(2^{n-1} - 1)$ through $(2^{n-1} - 1)$

c. (1) Add the two numbers as if they were unsigned integers. (2) If there is a carry out of the sign position, then add that bit to the first bit position of the result and propagate carries as necessary. This is known as the end-around carry rule. (3) An overflow occurs if two positive numbers are added and the result is negative or if two negative numbers are added and the result is positive.

9.4

	sign-magnitude	ones complement
Range	$-(2^{n-1} - 1)$ to $(2^{n-1} - 1)$	$-(2^{n-1} - 1)$ to $(2^{n-1} - 1)$
Number of representations of 0	2	2
Negation	Complement the sign bit	Complement each bit
Expansion of bit length	Move the sign bit to the new leftmost bit; fill in with zeros	Fill all new bit positions to the left with the sign bit
Subtract B from A	Complement the sign bit of B and add B to A using rules for addition of sign-magnitude numbers	Take the ones complement of B and add it to A

Rules for adding two sign-magnitude numbers:

1. If A and B have the same sign, then add the two magnitudes. If there is a carry out of the last magnitude bit, there is an overflow. If there is no carry the result is the sum of the magnitudes with the same sign bit as A and B.
2. (a) If the magnitude of A equals the magnitude of B, the result is zero; (b) if the magnitude of A is greater than the magnitude of B, then the sign bit of the result is the sign of A, and the magnitude of the result is the magnitude of A minus the magnitude of B. (b) Otherwise, the sign bit of the result is the sign of B, and the magnitude of the result is the magnitude of B minus the magnitude of A.

9.5 The twos complement of the original number.

- 9.6 a. We can express 2^n as $(1 + Z)$, where Z is an n-bit quantity of all 1 bits. Then, treating all quantities as unsigned integers, we have $(2^n - X) = 1 + Z - X$. But $(Z - X)$ results in the Boolean complement of each bit of X. Example:

$$\begin{array}{r} 11111111 \\ -01110100 \\ \hline 10001011 \end{array}$$

Therefore, $(2^n - X)$ adds one to the quantity formed by taking the Boolean complement of each bit of X, which is how we defined the twos complement of X.

- b. In Figure 9.5a, notice that we can subtract X or (add $-X$) by moving $16 - X$ positions clockwise. Similarly, in Figure 9.5b, we can subtract X or (add $-X$) by moving $2^n - X$ positions clockwise. But the quantity $(2^n - X)$ is what we just defined as the twos complement of X, which is the twos complement representation of $-X$. So we can subtract X by adding $-X$.

9.7 The tens complement is calculated as $10^5 - 13250 = 100000 - 13250 = 86750$.

9.8 We subtract $M - N$, where $M = 72532$ and $N = 13250$:

$$\begin{array}{r}
 M = 72532 \\
 \text{tens complement of } N = +86750 \\
 \text{sum} = 159282 \\
 \text{discard carry digit} = -100000 \\
 \text{result} = 59282
 \end{array}$$

9.9

Input	x_{n-1}	0	0	0	0	1	1	1	1
	y_{n-1}	0	0	1	1	0	0	1	1
	c_{n-2}	0	1	0	1	0	1	0	1
Output	z_{n-1}	0	0	1	0	1	0	1	1
	v	0	1	0	0	0	0	1	0

9.10

+6	00000110	-6	11111010	+6	00000110	-6	11111010
+13	00001101	+13	00001101	-13	11110011	-13	11110011
+19	00010011	+7	00000111	-7	11111001	-19	11101101

9.11 Add the twos complement, and check for overflow. For b, we must first sign-extend the second term.

$$\begin{array}{ll}
 \text{a.} & \begin{array}{r} 111000 \\ + 001101 \\ \hline 1\ 000101 \end{array} \\
 \text{b.} & \begin{array}{r} 11001100 \\ + 00010010 \\ \hline 11011110 \end{array} \\
 \text{c.} & \begin{array}{r} 111100001111 \\ + 001100001101 \\ \hline 1\ 001000011100 \end{array} \\
 \text{d.} & \begin{array}{r} 11000011 \\ + 00011000 \\ \hline 11011000 \end{array}
 \end{array}$$

In all cases, the signs of the two numbers to be added are different, so there is no overflow.

9.12 The overflow rule was stated as follows: If two numbers are added, and they are both positive or both negative, then overflow occurs if and only if the result has the opposite sign. There are four cases:

- Both numbers positive (sign bit = 0) and no carry into the leftmost bit position: There is no carry out of the leftmost bit position, so the XOR is 0. The result has a sign bit = 0, so there is no overflow.
- Both numbers positive and a carry into the leftmost bit position: There is no carry out of the leftmost position, so the XOR is 1. The result has a sign bit = 1, so there is overflow.
- Both numbers negative and no carry into the leftmost position: There is a carry out of the leftmost position, so the XOR is 1. The result has a sign bit of 0, so there is overflow.
- Both numbers negative and a carry into the leftmost position. There is a carry out of the leftmost position, so the XOR is 0. The result has a sign bit of 1, so there is no overflow.

Therefore, the XOR result always agrees with the presence or absence of overflow.

9.13 An overflow cannot occur because addition and subtraction alternate. As a consequence, the two numbers that are added always have opposite signs, a condition that excludes overflow.

9.14

A	Q	Q ₋₁	M	
0000	1010	0	0101	Initial
0000	0101	0	0101	Shift
1011	0101	0	0101	A ← A - M
1101	1010	1	0101	Shift
0010	1010	1	0101	A ← A + M
0001	0101	0	0101	Shift
1100	0101	0	0101	A ← A - M
1110	0010	1	0101	Shift

9.15 Using M=010111 (23) and Q = 010011 (19) we should get 437 as the result.

A	Q	Q ₋₁	M	
000000	010111	0	010011	Initial
101101	010111	0	010011	A ← A - M
110110	101011	1	010011	Shift
111011	010101	1	010011	Shift
111101	101010	1	010011	Shift
010000	101010	1	010011	A ← A + M
001000	010101	0	010011	Shift
110101	010101	0	010011	A ← A - M
111010	101010	1	010011	Shift
001101	101010	1	010011	A ← A + M
000110	110101	1	010011	Shift

Answer = 0001 1011 0101 (which is 437)

9.16 An n-digit number in base B has a maximum value of $B^n - 1$. We need to show that the maximum product is less than $B^{2n} - 1$.

$$(B^n - 1)(B^n - 1) = B^{2n} - 2B^n + 1 \leq B^{2n} - 1.$$

The inequality is true if

$$-2B^n + 1 \leq -1 \quad \text{or} \quad 1 \leq B^n$$

This is always true for $B \geq 2$ and $n \geq 1$.

9.17

A	Q	M	
00000000	10010011	1011	Initial
00000001	00100110	1011	Shift
11110110		1011	$A \leftarrow A - M$
00000001	00100110	1011	Restore
00000010	01001100	1011	Shift
11110111		1011	$A \leftarrow A - M$
00000010	01001100	1011	Restore
00000100	10011000	1011	Shift
11111001		1011	$A \leftarrow A - M$
00000100	10011000	1011	Restore
00001001	00110000	1011	Shift
11111100		1011	$A \leftarrow A - M$
00001001	00110000	1011	Restore
00010010	01100000	1011	Shift
00000111		1011	$A \leftarrow A - M$
00000111	01100001	1011	$Q_0 \leftarrow 1$
00001110	11000010	1011	Shift
00000011		1011	$A \leftarrow A - M$
00000011	11000011	1011	$Q_0 \leftarrow 1$
00000111	10000110	1011	Shift
11111100		1011	$A \leftarrow A - M$
00000111	10000110	1011	Restore
00001111	00001100	1011	Shift
00000100		1011	$A \leftarrow A - M$
00000100	00001101	1011	$Q_0 \leftarrow 1$

9.18 The nonrestoring division algorithm is based on the observation that a restoration in iteration I of the form $A(I) \leftarrow A(I) + M$ is followed in iteration $(I + 1)$ by the subtraction $A(I+1) \leftarrow 2A(I) - M$. These two operations can be combined into a single operation: $A(I+1) \leftarrow 2A(I) + M$.

9.19 False. For a negative quotient, truncation yields a larger number.

To represent the approximation of Planck's constant 29 radix-10 fractional digits are needed, while representing the approximation of Avogadro's number requires 24 integer decimal digits. To represent the approximations of both Planck's constant and Avogadro's number in a fixed-point number format, $29 + 24 = 53$ radix-10 digits are needed.

- b. In the considered radix-10 base-10 biased representation for the exponent (such that $E_{\text{biased}} = E + 50$), the exponent of both Planck's constant and Avogadro's number can be represented using 2 digits, because $27+50 = 77$ and $23+50 = 73$. To represent the significands, 3 radix-10 digits are needed. Therefore, to represent the approximations of both Planck's constant and Avogadro's number in a floating-point radix-10 base-10 number format, $3 + 2 = 5$ decimal digits are needed. Source: [ERCE04]

9.22 a. $b^{X-q}(1 - b^{-p}), b^{-q-p}$

b. $b^{X-q}(1 - b^{-p}), b^{-q-1}$

9.23 a. 1 10000001 010000000000000000000000

b. 1 10000001 100000000000000000000000

c. 1 01111111 100000000000000000000000

d. $384 = 110000000 = 1.1 \times 2^{1000}$

Change binary exponent to biased exponent:

$127 + 8 = 135 = 10000111$

Format: 0 10000111 000000000000000000000000

e. $1/16 = 0.0001 = 1.0 \times 2^{-100}$

$127 - 4 = 123 = 01111011$

Format: 0 01111011 000000000000000000000000

f. $-1/32 = -0.00001 = -1.0 \times 2^{-101}$

$127 - 5 = 122 = 01111010$

Format: 0 01111010 000000000000000000000000

9.24 a. -28 (don't forget the hidden bit)

b. $13/16 = 0.8125$

c. 2

9.25 In this case, the exponent has a bias of 3. Special cases are shaded in the table. The first shaded column contains the denormalized numbers. It is worthwhile to study this table to get a feel for the distribution and spacing of numbers represented in this format.

sign bit and significand	Exponent							
	000	001	010	011	100	101	110	111
0 000	0	0.25	0.5	1	2	4	8	$+\infty$
0 001	0.03125	0.28125	0.5625	1.125	2.25	4.5	9	NaN
0 010	0.0625	0.3125	0.625	1.25	2.5	5	10	NaN
0 011	0.09375	0.34375	0.6875	1.375	2.75	5.5	11	NaN
0 100	0.125	0.375	0.75	1.5	3	6	12	NaN
0 101	0.15625	0.40625	0.8125	1.625	3.25	6.5	13	NaN
0 110	0.1875	0.4375	0.875	1.75	3.5	7	14	NaN
0 111	0.21875	0.46875	0.9375	1.875	3.75	7.5	15	NaN
1 000	-0	-0.25	-0.5	-1	-2	-4	-8	$-\infty$
1 001	- 0.03125	- 0.28125	- 0.5625	-1.125	-2.25	-2.5	-9	NaN
1 010	-0.0625	-0.3125	-0.625	-1.25	-2.5	-5	-10	NaN
1 011	- 0.09375	- 0.34375	- 0.6875	-1.375	-2.75	-5.5	-11	NaN
1 100	-0.125	-0.375	-0.75	-1.5	-3	-6	-12	NaN
1 101	- 0.15625	- 0.40625	- 0.8125	-1.625	-3.25	-6.5	-13	NaN
1 110	-0.1875	-0.4375	-0.875	-1.75	-3.5	-7	-14	NaN
1 111	- 0.21875	- 0.46875	- 0.9375	-1.875	-3.75	-7.5	-15	NaN

- 9.26 a. $1.0 = +1/16 \times 16^1 = 0\ 100\ 0001\ 0001\ 0000\ 0000\ 0000\ 0000\ 0000$
b. $0.5 = +8/16 \times 16^0 = 0\ 100\ 0000\ 1000\ 0000\ 0000\ 0000\ 0000\ 0000$
c. $1/64 = +4/16 \times 16^{-1} = 0\ 011\ 1111\ 0100\ 0000\ 0000\ 0000\ 0000\ 0000$
d. $0.0 = +0 \times 16^{-64} = 0\ 000\ 0000\ 0000\ 0000\ 0000\ 0000\ 0000\ 0000$
e. $-15.0 = -15/16 \times 16^1 = 1\ 100\ 0001\ 1111\ 0000\ 0000\ 0000\ 0000\ 0000$
f. $5.4 \times 10^{-79} \approx +1/16 \times 16^{-64} = 0\ 000\ 0000\ 0000\ 0000\ 0000\ 0000\ 0000\ 0000$
g. $7.2 \times 10^{75} \approx 1 \times 16^{63} = 0\ 111\ 1111\ 1111\ 1111\ 1111\ 1111\ 1111\ 1111$
h. $65535 = 16^4 - 1 = 0\ 100\ 0100\ 1111\ 1111\ 1111\ 1111\ 0000\ 0000$

9.27 Step 1: Sign positive

Step 2: Extract the exponent $(5B)_{16}$ and subtract the bias $(40)_{16}$, yielding

$$(1B)_{16} = 27$$

Step 3: The significand $(CA\ 0000)_{16} = 12/16 + 10/256 = 0.7890625$.

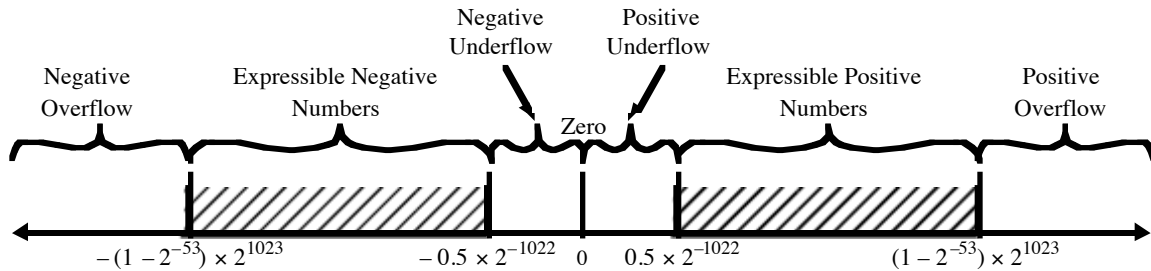
The decimal result is 0.7890625×16^{27} .

9.28 The base is irrelevant

a. Bias = $2^{6-1} = 2^5 = 32$

b. Bias = $2^{7-1} = 2^6 = 64$

9.29



9.30 a. 1. Express the number in binary form: 1011010000 (**normalize to 1.1bbbb**)

2. Normalize the number into the form 0.1bbbbbbbbbb
 0.1011010000×2^k where $k = 10(\text{base}10)$ or $1010(\text{base}2)$
 $0.1011010000 \times 2^{(1010)}$

Once in normalized form every number will have a 1 after the decimal point. We do not need to store this number; it is implicit. Therefore in the Significand field we will store 011010000000000000000000.

3. For the 8-bit exponent field, a bias of 128 is used. Add the bias to the exponent and store the answer: $1010 + 10000000 = 1001010$
4. Sign bit = 1
5. Result = 1 1001010 011010000000000000000000

b. We have $0.645 = 0.101001\dots$; therefore the significand is 01001 (the first 1 is implicit). The sign = 0, and the exponent = 0.
 Result: 0 0000000 010010000000000000000000

9.31 There are 2^{32} different bit patterns available. However, because of special cases, not all of these bit patterns represent unique numbers. In particular, an exponent of all ones together with a nonzero fraction is given the value NaN, which means *Not a Number*, and is used to signal various exception conditions. Because the fraction field is 23 bits, the number of nonzero fractions is $2^{23} - 1$. The sign bit may be 0 or 1 for this case, so the total number of NaN values is $2^{24} - 2$. Therefore, the number of different numbers that can be represented is $2^{32} - 2^{24} + 2$. This number includes both plus and minus zero and plus and minus infinity. If we exclude minus zero and plus and minus infinity, then the total is $2^{32} - 2^{24} - 1$.

9.32 We have 0.4×2^0 . Because 0.4 is less than 0.5, this is not normalized. Thus, we rewrite as

$$0.4 = 0.8 \times 2^{-1}$$

Next, convert 0.8 to binary, we have repeating binary number: 0.110011001100... The closest we can get (7 bits) is 0.1100110. Converting this back to decimal, we have

$$(1/2 + 1/4 + 1/32 + 1/64) \times 2^{-1} = 0.3984375$$

The relative error is $\frac{0.4 - 0.3984375}{0.4} = 0.0039$

$$9.33 \quad E_A = \frac{A - A'}{A}$$

$$\text{Truncation: } E_A = \frac{1.427 - 1.42}{1.427} = 0.0049$$

$$\text{Rounding: } E_A = \frac{1.427 - 1.43}{1.427} = -0.0021$$

9.34 Cancellation reveals previous errors in the computation of X and Y. For example, if ϵ is small, we often get poor accuracy when computing $f(x + \epsilon) - f(x)$, because the rounded calculation of $f(x + \epsilon)$ destroys much of the information about ϵ . It is desirable to rewrite such formulas as $\epsilon \times g(x, \epsilon)$, where $g(x, \epsilon) = \frac{f(x + \epsilon) - f(x)}{\epsilon}$ is first computed symbolically. Thus, if $f(x) = x^2$, then $g(x, \epsilon) = 2x + \epsilon$; if $f(x) = \sqrt{x}$, then $g(x, \epsilon) = \frac{1}{\sqrt{x + \epsilon} + \sqrt{x}}$.

9.35 We have

$$E_A = \frac{A - A'}{A} = 1 - \frac{A'}{A}$$

$$A' = A(1 - E_A)$$

$$B' = B(1 - E_B)$$

$$\begin{aligned} A'B' &= AB(1 - E_A)(1 - E_B) = AB[1 - (E_A + E_B) + E_A E_B] \\ &\approx AB[1 - (E_A + E_B)] \end{aligned}$$

The product term $E_A E_B$ should be negligible in comparison to the sum.

Consequently

$$E_{AB} = E_A + E_B.$$

$$9.36 \text{ a. } E_A = \frac{0.22288 - 0.2228}{0.2228} = 0.00036$$

$$E_B = \frac{0.22211 - 0.2221}{0.22211} = 0.00045$$

$$\text{b. } C = A - B = 0.00077$$

$$C' = A' - B' = 0.0007$$

$$E_C = \frac{0.00077 - 0.0007}{0.00077} = 0.09$$

9.37 a. $(2.50000 \times 10^{-60}) \times (3.50000 \times 10^{-43}) = 8.75000 \times 10^{-103} \rightarrow 0.00088 \times 10^{-99}$

The otherwise exact product underflows and must be denormalized by four digits. The number then requires rounding.

b. $(2.50000 \times 10^{-60}) \times (3.50000 \times 10^{-60}) = 8.75000 \times 10^{-120} \rightarrow 0.0$

The intermediate result falls below the underflow threshold and must be set to zero.

c. $(5.67834 \times 10^{-97}) - (5.67812 \times 10^{-97}) = 2.20000 \times 10^{-101} \rightarrow 0.02200 \times 10^{-99}$

This example illustrates how underflowed sums and differences of numbers in the same format are always free from rounding errors.

9.38 a. The exponents are equal. Therefore the mantissas are added, keeping the common exponent, and the sum is renormalized if necessary.

$$5.566 \times 10^3 + 7.777 \times 10^3 = 1.3343 \times 10^3 \approx 1.334 \times 10^3$$

b. The exponents must be equalized first.

$$3.344 \times 10^1 + 8.877 \times 10^{-2} = 3.344 \times 10^1 + 0.008877 \times 10^1 = 3.352877 \times 10^1 \approx 3.352 \times 10^1$$

9.39 a. $7.744 \times 10^{-3} - 6.666 \times 10^{-3} = 1.078 \times 10^{-3}$

b. $8.844 \times 10^{-3} - 2.233 \times 10^{-1} = 0.08844 \times 10^{-1} - 2.233 \times 10^{-1} = -2.14456 \times 10^{-1} \approx -2.144 \times 10^{-1}$

9.40 a. $2.255 \times 10^1 \times 1.234 \times 10^0 = 2.58267 \times 10^1 \approx 2.582 \times 10^1$

b. $8.833 \times 10^2 \div 5.555 \times 10^4 = 1.590 \times 10^{-2}$

CHAPTER 10 INSTRUCTION SETS: CHARACTERISTICS AND FUNCTIONS

ANSWERS TO QUESTIONS

- 10.1 The essential elements of a computer instruction are the opcode, which specifies the operation to be performed, the source and destination operand references, which specify the input and output locations for the operation, and a next instruction reference, which is usually implicit.
- 10.2 Registers and memory.
- 10.3 Two operands, one result, and the address of the next instruction.
- 10.4 **Operation repertoire:** How many and which operations to provide, and how complex operations should be. **Data types:** The various types of data upon which operations are performed. **Instruction format:** Instruction length (in bits), number of addresses, size of various fields, and so on. **Registers:** Number of CPU registers that can be referenced by instructions, and their use. **Addressing:** The mode or modes by which the address of an operand is specified.
- 10.5 Addresses, numbers, characters, logical data.
- 10.6 For the IRA bit pattern 011XXXX, the digits 0 through 9 are represented by their binary equivalents, 0000 through 1001, in the right-most 4 bits. This is the same code as packed decimal.
- 10.7 With a **logical shift**, the bits of a word are shifted left or right. On one end, the bit shifted out is lost. On the other end, a 0 is shifted in. The **arithmetic shift** operation treats the data as a signed integer and does not shift the sign bit. On a right arithmetic shift, the sign bit is replicated into the bit position to its right. On a left arithmetic shift, a logical left shift is performed on all bits but the sign bit, which is retained.
- 10.8 1. In the practical use of computers, it is essential to be able to execute each instruction more than once and perhaps many thousands of times. It may require thousands or perhaps millions of instructions to implement an application. This would be unthinkable if each instruction had to be written out separately. If a table or a list of items is to be processed, a program loop is needed. One sequence of instructions is executed repeatedly to process all the data. 2. Virtually all programs involve some decision making. We would like the computer to do one thing if one condition holds, and another thing if another condition holds. 3. To compose

correctly a large or even medium-size computer program is an exceedingly difficult task. It helps if there are mechanisms for breaking the task up into smaller pieces that can be worked on one at a time.

- 10.9 First, most machines provide a 1-bit or multiple-bit condition code that is set as the result of some operations. Another approach that can be used with a three-address instruction format is to perform a comparison and specify a branch in the same instruction.
- 10.10 The term refers to the occurrence of a procedure call inside a procedure.
- 10.11 Register, start of procedure, top of stack.
- 10.12 A reentrant procedure is one in which it is possible to have several calls open to it at the same time.
- 10.13 In this notation, the operator follows its two operands.
- 10.14 A multibyte numerical value stored with the most significant byte in the lowest numerical address is stored in **big-endian** fashion. A multibyte numerical value stored with the most significant byte in the highest numerical address is stored in **little-endian** fashion.

ANSWERS TO PROBLEMS

- 10.1 a. 23
b. 32 33
- 10.2 a. 7309
b. 582
c. 1010 is not a valid packed decimal number, so there is an error
- 10.3 a. 0; 255
b. -127; 127
c. -127; 127
d. -128; 127
e. 0; 99
f. -9; +9

10.4 Perform the addition four bits at a time. If the 4-bit digit of the result of binary addition is greater than 9 (binary 1001), then add 6 to get the correct result.

1698	0001	0110	1001	1000
<u>+ 1798</u>	<u>0001</u>	<u>0111</u>	<u>1000</u>	<u>0110</u>
	0010	1100	1 0001	1110
	<u> 1</u>	<u> 1</u>	1	<u>0110</u>
	0011	1110	<u>0110</u>	1 0100
		<u>0110</u>	1000	
		1 0100		
3484	0011	0100	1000	0100

10.5 The tens complement of a number is formed by subtracting each digit from 9, and adding 1 to the result, in a manner similar to twos complement. To subtract, simply take the tens complement and add:

0736	
<u>9674</u>	
<u> 1</u>	0410

10.6

PUSH A	LOAD E	MOV R0, E	MUL R0, E, F
PUSH B	MUL F	MUL R0, F	SUB R0, D, R0
PUSH C	STORE T	MOV R1, D	MUL R1, B, C
MUL	LOAD D	SUB R1, R0	ADD R1, A, R1
ADD	SUB T	MOV R0, B	DIV X, R0, R1
PUSH D	STORE T	MOV R0, C	
PUSH E	LOAD B	ADD R0, A	
PUSH F	MUL C	DIV R0, R1	
MUL	ADD A	MOV X, R0	
SUB	DIV T		
DIV	STO X		
POP X			

Source: [TANE90]

10.7 a. A memory location whose initial contents are zero is needed for both $X \rightarrow AC$ and $AC \rightarrow X$. The program for $X \rightarrow AC$, and its effects are shown below. Assume AC initially contains the value a.

Instruction	AC	Effect on M(0)	M(X)
SUBS 0	a	a	x
SUBS 0	0	0	x
SUBS X	-x	0	-x
SUBS 0	-x	-x	-x
SUBS 0	0	0	-x
SUBS X	x	0	x

- b. For addition, we again need a location, $M(0)$, whose initial value is 0. We also need destination location, $M(1)$. Assume the initial value in $M(1)$ is y .

Instruction	AC	$M(0)$	$M(1)$	$M(X)$
SUBS 0	a	a	y	x
SUBS 1	$a - y$	a	$a - y$	x
SUBS 1	0	a	0	x
SUBS X	$-x$	a	0	$-x$
SUBS 0	$-x - a$	$-x - a$	0	$-x$
SUBS 1	$-x - a$	$-x - a$	$-x - a$	$-x$
SUBS 0	0	0	$-x - a$	$-x$
SUBS X	x	0	$-x - a$	x
SUBS 0	x	x	$-x - a$	x
SUBS 0	0	0	$-x - a$	x
SUBS 1	$a + x$	0	$a + x$	x

- 10.8** 1. A NOOP can be useful for debugging. When it is desired to interrupt a program at a particular point, the NOOP is replaced with a jump to a debug routine. When temporarily patching or altering a program, instructions may be replaced with NOOPs. 2. A NOOP introduces known delay into a program, equal to the instruction cycle time for the NOOP. This can be used for measuring time or introducing time delays. 3. NOOPs can be used to pad out portions of a program to align instructions on word boundaries or subroutines on page boundaries. 4. NOOPs are useful in RISC pipelining, examined in Chapter 13.

10.9

Bit pattern	Value	Arithmetic left shift	Value	Logical left shift	Value
00000	0	00000	0	00000	0
00001	1	00010	2	00010	2
00010	2	00100	4	00100	4
00011	3	00110	6	00110	6
00100	4	01000	8	01000	8
00101	5	01010	10	01010	10
00110	6	01100	12	01100	12
00111	7	01110	14	01110	14
01000	8	00000	overflow	10000	overflow
01001	9	00010	overflow	10010	overflow
01010	10	00100	overflow	10100	overflow
01011	11	00110	overflow	10110	overflow
01100	12	01000	overflow	11000	overflow
01101	13	01010	overflow	11010	overflow
01110	14	01100	overflow	11100	overflow
01111	15	01110	overflow	11110	overflow
10000	-16	10000	overflow	00000	overflow
10001	-15	00010	overflow	00010	overflow
10010	-14	10100	overflow	00100	overflow
10011	-13	10110	overflow	00110	overflow
10100	-12	11000	overflow	01000	overflow
10101	-11	11010	overflow	01010	overflow
10110	-10	11100	overflow	01100	overflow
10111	-9	11110	overflow	01110	overflow
11000	-8	10000	-16	10000	-16
11001	-7	10010	-14	10010	-14
11010	-6	10100	-12	10100	-12
11011	-5	10110	-10	10110	-10
11100	-4	11000	-8	11000	-8
11101	-3	11010	-6	11010	-6
11110	-2	11100	-4	11100	-4
11111	-1	11110	-2	11110	-2

10.10 Round toward $-\infty$.

10.11 Yes, if the stack is only used to hold the return address. If the stack is also used to pass parameters, then the scheme will work only if it is the control unit that removes parameters, rather than machine instructions. In the latter case, the CPU would need both a parameter and the PC on top of the stack at the same time.

10.12 The DAA instruction can be used following an ADD instruction to enable using the add instruction on two 8-bit words that hold packed decimal digits. If there is a decimal carry (i.e., result greater than 9) in the rightmost digit, then it shows up either as the result digit being greater than 9, or by setting AF. If there is such a carry, then adding 6 corrects the result. For example:

$$\begin{array}{r}
 + 46 \\
 \hline
 6D \\
 + 06 \\
 \hline
 73
 \end{array}$$

The second test similarly corrects a carry from the left digit of an 8-bit byte. A multiple-digit packed decimal addition can thus be programmed using the normal add-with-carry (ADC) instruction in a loop, with the insertion of a single DAA instruction after each addition.

10.13 a.

CMP result	Z	C
destination < source	0	1
destination > source	0	0
destination = source	1	0

b.

CMP result	Flags
destination < source	S ≠ O
destination > source	S = O
destination = source	ZF = 1

- c.
- **Equal:** The two operands are equal, so subtraction produces a zero result (Z = 1).
 - **Greater than:** If A is greater than B, and A and B are both positive or both negative, then the two's complement operation (A - B) will produce a positive result (S = 0) with no overflow (O = 0). If A is greater than B with A positive and B negative, then the result is either positive with no overflow or negative (S = 1) with overflow (O = 1). In all these cases, the result is nonzero (Z = 0).
 - **Greater than or equal:** The same reasoning as for "Greater than" applies, except that the result may be zero or nonzero.
 - **Less than:** This condition is the opposite of "Greater than or equal" and so the opposite set of conditions apply.
 - **Less than or equal:** This condition is the opposite of "Greater than" and so the opposite set of conditions apply.
 - **Not equal:** The two operands are unequal, so subtraction produces a nonzero result (Z = 0).

- 10.14
- a. sign bit in the most significant position, then exponent, then significand
 - b. sign, exponent, and significand are all zero; that is, all 32 bits are zero
 - c. biased representation of the exponent
 - d. yes. However, note that the IEEE has a representation for minus zero, which would yield results indicating that $-0 < 0$.

- 10.15
- a. It might be convenient to have a word-length result for passing as a parameter via a stack, to make it consistent with typical parameter passing. This is an advantage of Scond. There doesn't seem to be any particular advantage to the result value for true being integer one versus all binary ones.
 - b. The case for setting the flags: In general, instructions that operate on data values will, as a side effect, set the condition codes according to the result of the operation. Thus, the condition code should reflect the state of the machine after the execution of each instruction that has altered a data value in some

way. These instructions violate this principle and are therefore inconsistent with the remainder of the architecture.

The case against: These instructions are similar to branch on condition instructions in that they operate on the result of another operation, which is reflected in the condition codes. Because a branch on condition code instruction does not itself set the condition codes, the fact that these other instructions do not is not inconsistent.

For a further discussion, see "Should Scc Set Condition Codes?" by F. Williams, *Computer Architecture News*, September 1988.

```
c.  SUB    CX, CX    ;set register CX to 0
     MOV    AX, B    ;move contents of location B to register AX
     CMP    AX, A    ;compare contents of register AX and location A
     SETGT  CX      ;CX = (a GT b)
TEST  JCXZ  OUT     ;jump if contents of CX equal 0
     THEN
```

OUT

```
d.  MOV    EAX, B   ; move from location B to register EAX
     CMP    EAX, C
     SETG   BL      ; BL = 0/1 depending on result
     MOV    EAX, D
     CMP    EAX, F
     MOV    BH, 0
     SETE   BH
     OR     BL, BH
```

10.16 a. Add one byte at a time:

AB	08	90	C2
+ 45	98	EE	50
<hr/>			
F0	A0	7E	12

b. Add 16 bits at a time:

AB08	90C2
+ 4598	EE50
<hr/>	
F0A0	7F12

10.17 If the processor makes use of a stack for subroutine handling, it only uses the stack while executing CALL and RETURN instructions. No explicit stack-oriented instructions are needed.

10.18 a. $(A + B + C) * D$
 b. $(A/B) + (C/D)$
 c. $A/(B * C * (D + E))$
 d. $A + (B * ((C + (D - E)/F) - G)/H)$

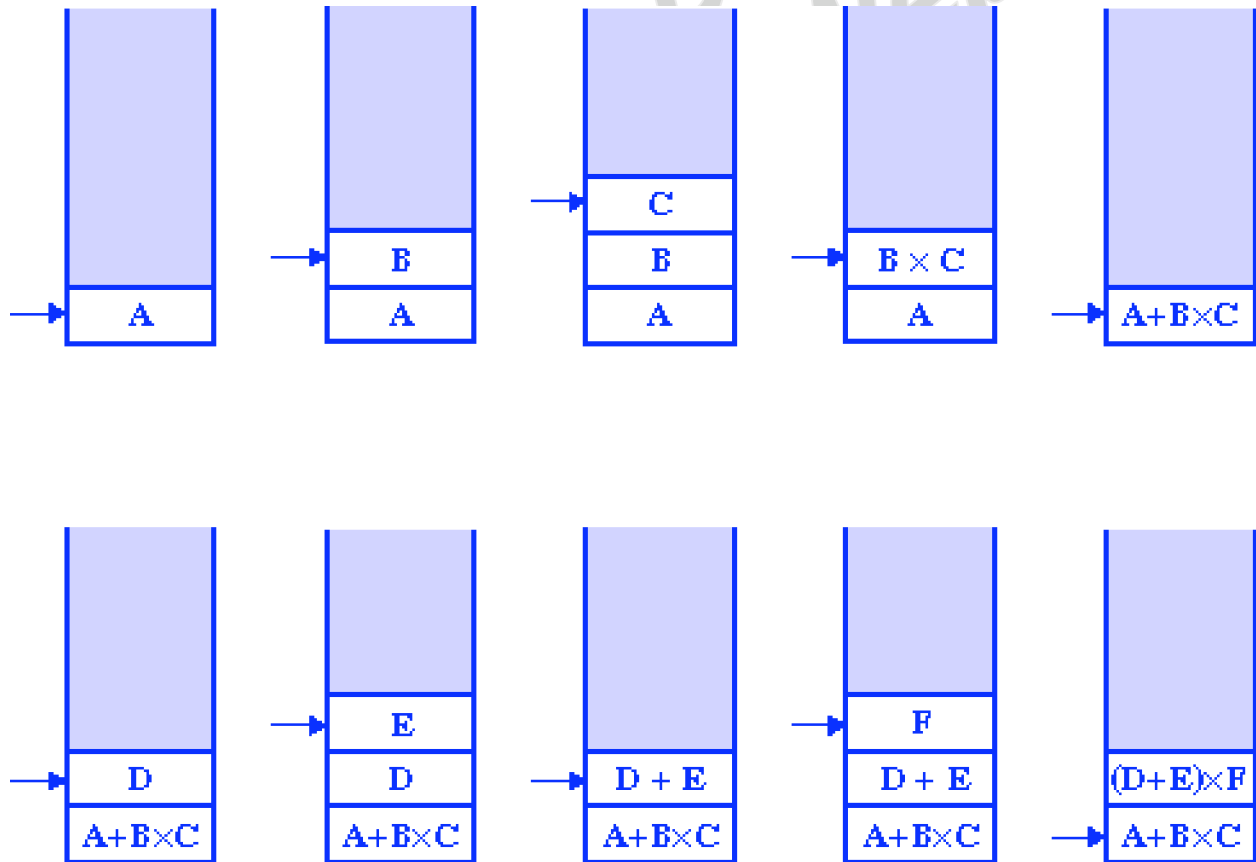
10.19 a. $AB + C + D + E +$
 b. $AB + CD + * E +$
 c. $AB * CD * + E +$
 d. $AB - CDE * - F/G/ * H *$

10.20 Postfix Notation: $AB + C -$
 Equivalent to $(A + B) - C$

It matters because of rounding and truncation effects.

10.21	Input	Output	Stack (top on right)
	$(A - B) / (C + D \times E)$	empty	empty
	$A - B) / (C + D \times E)$	empty	(
	$- B) / (C + D \times E)$	A	(
	$B) / (C + D \times E)$	A	(-
	$) / (C + D \times E)$	A B	(-
	$/ (C + D \times E)$	A B -	empty
	$(C + D \times E)$	A B -	/
	$C + D \times E)$	A B -	/ (
	$+ D \times E)$	A B - C	/ (
	$D \times E)$	A B - C	/ (+
	$\times E)$	A B - C D	/ (+
	$E)$	A B - C D	/ (+ \times
	$)$	A B - C D E	/ (+ \times
	empty	A B - C D E \times +	/
	empty	A B - C D E \times + /	empty

10.22



The final step combines the top two stack elements using the + operator.

10.23

Big-endian address mapping

Byte Address	14	13	12	11				
00	00	01	02	03	04	05	06	07
	28	27	26	25	24	23	22	21
08	08	09	0A	0B	0C	0D	0E	0F
	34	33	32	31	'A'	'B'	'C'	'D'
10	10	11	12	13	14	15	16	17
	'E'	'F'	'G'		52	51		
18	18	19	1A	1B	1C	1D	1E	1F
	64	63	62	61				
20	20	21	22	23				

10.24 a.

BE	11	12	13	14	15	16	17	18
	00	01	02	03	04	05	06	07

LE	11	12	13	14	15	16	17	18
	07	06	05	04	03	02	01	00

b.

BE	11	12	13	14	15	16	17	18
	00	01	02	03	04	05	06	07

LE	15	16	17	18	11	12	13	14
	07	06	05	04	03	02	01	00

c.

BE	11	12	13	14	15	16	17	18
	00	01	02	03	04	05	06	07

LE	17	18	15	16	13	14	11	12
	07	06	05	04	03	02	01	00

The purpose of this question is to compare halfword, word, and doubleword integers as members of a data structure in Big- and Little-Endian form.

10.25 Figure 10.12 is not a "true" Little-Endian organization as usually defined. Rather, it is designed to minimize the data manipulation required to convert from one Endian to another. Note that 64-byte scalars are stored the same in both formats on the PowerPC. To accommodate smaller scalars, a technique known as address munging is used.

When the PowerPC is in Little-Endian mode, it transforms the three low-order bits of an effective address for a memory access. These three bits are XORed with a value that depends on the transfer size: 100b for 4-byte transfers; 110 for 2-byte transfers; and 111 for 1-byte transfers. The following are the possible combinations:

4-Byte Transfers (XOR with 100)		2-Byte Transfers (XOR with 110)		1-Byte Transfers (XOR with 111)	
Original Address	Munged Address	Original Address	Munged Address	Original Address	Munged Address
000	100	000	110	000	111
001	101	001	111	001	110
010	110	010	100	010	101
011	111	011	101	011	100
100	000	100	010	100	011
101	001	101	011	101	010
110	010	110	000	110	001
111	011	111	001	111	000

For example, the two-byte value 5152h is stored at location 1C in Big-Endian mode. In Little-Endian mode, it is viewed by the processor as still being stored in location 1C but in Little-Endian mode. In fact, the value is still stored in Big-Endian mode, but at location 1A. When a transfer occurs, the system must do an address unmunging and a byte transfer to convert data to the form expected by the processor. The processor generates effective addresses of 1C and 1D for the two bytes. These addresses are munged (XOR with 110) to 1A and 1B. The data bytes are retrieved, swapped, and presented as if found in the unmunged addresses 1D and 1C.

10.26 There are a number of ways to do this. Here is one way that will work:

```
#include <stdio.h>
main()
{
    int integer;
    char *p;

    integer = 0x30313233; /* ASCII for chars '0', '1', '2', '3' */
    p = (char *)&integer

    if (*p=='0' && *(p+1)=='1' && *(p+2)=='2' && *(p+3)=='3')
        printf("This is a big endian machine.\n");
    else if (*p=='3' && *(p+1)=='2' && *(p+2)=='1' && *(p+3)=='0')
        printf("This is a little endian machine.\n");
    else
        printf("Error in logic to determine machine endian-ness.\n");
}
```

10.27 BigEndian

10.28 The documentation uses little-endian bit ordering, stating that the most significant bit of a byte (leftmost bit) is bit 7. However, the instructions that operate on bit fields operate in a big-endian manner. Thus, the leftmost bit of a byte is bit 7 but has a bit offset of 0, and the rightmost bit of a byte is bit 0 but has a bit offset of 7.

CHAPTER 11 INSTRUCTION SETS: ADDRESSING MODES AND FORMATS

ANSWERS TO QUESTIONS

- 11.1 Immediate addressing: The value of the operand is in the instruction.
- 11.2 Direct addressing: The address field contents the effective address of the operand.
- 11.3 Indirect addressing: The address field refers to the address of a word in memory, which in turn contains the effective address of the operand.
- 11.4 Register addressing: The address field refers to a register that contains the operand.
- 11.5 Register indirect addressing: The address field refers to a register, which in turn contains the effective address of the operand.
- 11.6 Displacement addressing: The instruction has two address fields, at least one of which is explicit. The value contained in one address field (value = A) is used directly. The other address field refers to a register whose contents are added to A to produce the effective address.
- 11.7 Relative addressing: The implicitly referenced register is the program counter (PC). That is, the current instruction address is added to the address field to produce the EA.
- 11.8 It is typical that there is a need to increment or decrement the index register after each reference to it. Because this is such a common operation, some systems will automatically do this as part of the same instruction cycle, using autoindexing.
- 11.9 These are two forms of addressing, both of which involve indirect addressing and indexing. With **preindexing**, the indexing is performed before the indirection. With **postindexing**, the indexing is performed after the indirection.
- 11.10 **Number of addressing modes:** Sometimes an addressing mode can be indicated implicitly. In other cases, the addressing modes must be explicit, and one or more mode bits will be needed. **Number of operands:** Typical instructions on today's machines provide for two operands. Each operand address in the instruction might require its own mode indicator, or the use of a mode indicator could be limited to just one of the address fields. **Register versus memory:** The more that registers can be used for operand references, the fewer bits are needed.

Number of register sets: One advantage of using multiple register sets is that, for a fixed number of registers, a functional split requires fewer bits to be used in the instruction. **Address range:** For addresses that reference memory, the range of addresses that can be referenced is related to the number of address bits. Because this imposes a severe limitation, direct addressing is rarely used. With displacement addressing, the range is opened up to the length of the address register. **Address granularity:** In a system with 16- or 32-bit words, an address can reference a word or a byte at the designer's choice. Byte addressing is convenient for character manipulation but requires, for a fixed-size memory, more address bits.

- 11.11 Advantages:** It easy to provide a large repertoire of opcodes, with different opcode lengths. Addressing can be more flexible, with various combinations of register and memory references plus addressing modes. **Disadvantages:** an increase in the complexity of the CPU.

ANSWERS TO PROBLEMS

- 11.1** a. 20 b. 40 c. 60 d. 30 e. 50 f. 70

- 11.2**
 a. $X3 = X2$
 b. $X3 = (X2)$
 c. $X3 = X1 + X2 + 1$
 d. $X3 = X2 + X4$

- 11.3**
 a. the address field
 b. memory location 14
 c. the memory location whose address is in memory location 14
 d. register 14
 e. the memory location whose address is in register 14

	EA	Operand		EA	Operand
11.4					
a.	500	1100	e.	600	1200
b.	201	500	f.	R1	400
c.	1100	1700	g.	400	1000
d.	702	1302	h.	400	1000

The autoindexing with increment is the same as the register indirect mode except that R1 is incremented to 401 after the execution of the instruction.

- 11.5** Recall that relative addressing uses the contents of the program counter, which points to the next instruction after the current instruction. In this case, the current instruction is at decimal address 256028 and is 3 bytes long, so the PC contains 256031. With the displacement of -31, the effective address is 256000.

- 11.6** $(PC + 1) + \text{Relative Address} = \text{Effective Address}$
 $\text{Relative Address} = -621 + 530 = -91$
 Converting to twos-complement representation, we have: 1110100101.

- 11.7** a. 3 times: fetch instruction; fetch operand reference; fetch operand.

b. 2 times: fetch instruction; fetch operand reference and load into PC.

11.8 Load the address into a register. Then use displacement addressing with a displacement of 0.

11.9 The PC-relative mode is attractive because it allows for the use of a relatively small address field in the instruction format. For most instruction references, and many data references, the desired address will be within a reasonably short distance from the current PC address.

11.10 This is an example) of a special-purpose CISC instruction, designed to simplify the compiler. Consider the case of indexing an array, where the elements of the array are 32 bytes long. The following instruction is just what is needed:

```
IMUL EBX, I, 32
```

EBX is a 32-bit register that now contains the byte offset into the array whose subscript is 1.

11.11 The three values are added together: $1970 + 48022 + 8 = 50000$.

11.12 a. No, because the source operand is the contents of X, rather than the top of the stack, which is in the location pointed to by X.

b. No, because address of the top of the stack is not changed until after the fetching of the destination operand.

c. Yes. The stack grows away from memory location 0.

d. No, because the second element of the stack is fetched twice.

e. No, because the second element of the stack is fetched twice.

f. No, because the stack pointer is incremented twice, so that the result is thrown away.

g. Yes. The stack grows toward memory location 0.

11.13

Instruction	Stack (top on left)
PUSH 4	4
PUSH 7	7, 4
PUSH 8	8, 7, 4
ADD	15, 4
PUSH 10	10, 15, 4
SUB	5, 4
MUL	20

11.14 The 32-bit instruction length yields incremental improvements. The 16-bit length can already include the most useful operations and addressing modes. Thus, relatively speaking, we don't have twice as much "utility".

11.15 With a different word length, programs written for older IBM models would not execute on the newer models. Thus the huge investment in existing software was lost by converting to the newer model. Bad for existing IBM customers, and therefore bad for IBM.

- 11.16** Let X be the number of one-address instructions. The feasibility of having K two-address, X one-address, and L zero-address instructions, all in a 16-bit instruction word, requires that:

$$(K \times 2^6 \times 2^6) + (X \times 2^6) + L = 2^{16}$$

Solving for X :

$$X = (2^{16} - (K \times 2^6 \times 2^6) - L) / 2^6$$

To verify this result, consider the case of no zero-address and no two-address instructions; that is, $L = K = 0$. In this case, we have

$$X = 2^{16} / 2^6 = 2^{10}$$

This is what it should be when 10 bits are used for opcodes and 6 bits for addresses.

- 11.17** The scheme is similar to that for problem 11.16. Divide the 36-bit instruction into 4 fields: A , B , C , D . Field A is the first 3 bits; field B is the next 15 bits; field C is the next 15 bits, and field D is the last 3 bits. The 7 instructions with three operands use B , C , and D for operands and A for opcode. Let 000 through 110 be opcodes and 111 be a code indicating that there are less than three operands. The 500 instructions with two operands are specified with 111 in field A and an opcode in field B , with operands in D and C . The opcodes for the 50 instructions with no operands can also be accommodated in B .
Source: [TANE90]

- 11.18 a.** The zero-address instruction format consists of an 8-bit opcode and an optional 16-bit address. The program has 12 instructions, 7 of which have an address. Thus:

$$N_0 = 12 \times 8 + 7 \times 16 = 208 \text{ bits}$$

- b.** The one-address instruction format consists of an 8-bit opcode and a 16-bit address. The program has 11 instructions.

$$N_1 = 24 \times 11 = 264 \text{ bits}$$

- c.** For two-address instructions, there is an 8-bit opcode and two operands, each of which is 4 bits (register) or 16 bits (memory).

$$N_2 = 9 \times 8 + 7 \times 16 + 11 \times 4 = 228 \text{ bits}$$

- d.** For three-address instructions

$$N_3 = 5 \times 8 + 7 \times 16 + 8 \times 4 = 184 \text{ bits}$$

- 11.19** No. If the two opcodes conflict, the instruction is meaningless. If one opcode modifies the other or adds additional information, this can be viewed as a single

opcode with a bit length equal to that of the two opcode fields. However, instruction bundles, such as seen on the IA-64 Itanium architecture, have multiple opcodes.

- 11.20**
- a.** The opcode field can take on one of $2^5 = 32$ different values. Each value can be interpreted to ways, depending on whether the Operand 2 field is all zeros, for a total of 64 different opcodes.
 - b.** We could gain an additional 32 opcodes by assigning another Operand 2 pattern to that purpose. For example, the pattern 0001 could be used to specify more opcodes. The tradeoff is to limit programming flexibility, because now Operand 2 cannot specify register R1. Source: [PROT88].

Please Do Not
Post on Web

CHAPTER 12 PROCESSOR STRUCTURE AND FUNCTION

ANSWERS TO QUESTIONS

- 12.1 User-visible registers:** These enable the machine- or assembly language programmer to minimize main-memory references by optimizing use of registers. **Control and status registers:** These are used by the control unit to control the operation of the CPU and by privileged, operating system programs to control the execution of programs.
- 12.2** General purpose; Data; Address; Condition codes
- 12.3** Condition codes are bits set by the CPU hardware as the result of operations. For example, an arithmetic operation may produce a positive, negative, zero, or overflow result. In addition to the result itself being stored in a register or memory, a condition code is also set. The code may subsequently be tested as part of a conditional branch operation.
- 12.4** All CPU designs include a register or set of registers, often known as the *program status word* (PSW), that contain status information. The PSW typically contains condition codes plus other status information.
- 12.5** (1) The execution time will generally be longer than the fetch time. Execution will involve reading and storing operands and the performance of some operation. Thus, the fetch stage may have to wait for some time before it can empty its buffer. (2) A conditional branch instruction makes the address of the next instruction to be fetched unknown. Thus, the fetch stage must wait until it receives the next instruction address from the execute stage. The execute stage may then have to wait while the next instruction is fetched.
- 12.6 Multiple streams:** A brute-force approach is to replicate the initial portions of the pipeline and allow the pipeline to fetch both instructions, making use of two streams. **Prefetch branch target:** When a conditional branch is recognized, the target of the branch is prefetched, in addition to the instruction following the branch. This target is then saved until the branch instruction is executed. If the branch is taken, the target has already been prefetched. **Loop buffer:** A loop buffer is a small, very-high-speed memory maintained by the instruction fetch stage of the pipeline and containing the n most recently fetched instructions, in sequence. If a branch is to be taken, the hardware first checks whether the branch target is within the buffer. If so, the next instruction is fetched from the buffer. **Branch prediction:** A prediction is made whether a conditional branch will be taken when

executed, and subsequent instructions are fetched accordingly. **Delayed branch:** It is possible to improve pipeline performance by automatically rearranging instructions within a program, so that branch instructions occur later than actually desired.

- 12.7 One or more bits that reflect the recent history of the instruction can be associated with each conditional branch instruction. These bits are referred to as a taken/not taken switch that directs the processor to make a particular decision the next time the instruction is encountered.

ANSWERS TO PROBLEMS

12.1 a.
$$\begin{array}{r} 00000010 \\ \underline{00000011} \\ 00000101 \end{array}$$

Carry = 0; Zero = 0; Overflow = 0; Sign = 0; Even parity = 1; Half-carry = 0.

Even parity indicates that there is an even number of 1s in the result. The Half-Carry flag is used in the addition of packed decimal numbers. When a carry takes place out of the lower-order digit (lower-order 4 bits), this flag is set. See problem 10.1.

b.
$$\begin{array}{r} 11111111 \\ \underline{00000001} \\ 100000000 \end{array}$$

Carry = 1; Zero = 1; Overflow = 1; Sign = 0; Even Parity = 1; Half-Carry = 1.

- 12.2 To perform $A - B$, the ALU takes the two's complement of B and adds it to A :

$$\begin{array}{r} A: \quad 11110000 \\ \bar{B} + 1: +\underline{11101100} \\ A - B: \quad 11011100 \end{array}$$

Carry = 1; Zero = 0; Overflow = 0; Sign = 1; Even parity = 0; Half-carry = 0.

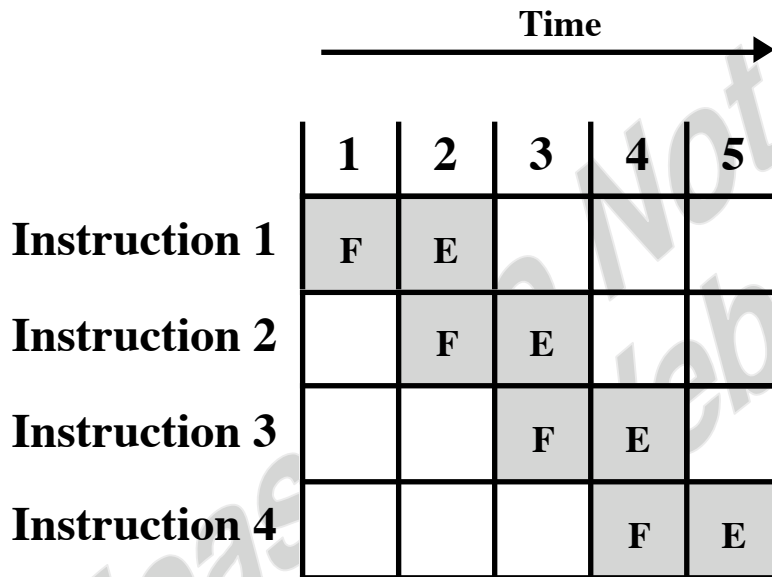
- 12.3 a. 0.2 ns
b. 0.6 ns

- 12.4 a. The length of a clock cycle is 0.1 ns. The length of the instruction cycle for this case is $[10 + (15 \times 64)] \times 0.1 = 960$ ns.
b. The worst-case delay is when the interrupt occurs just after the start of the instruction, which is 960 ns.
c. In this case, the instruction can be interrupted after the instruction fetch, which takes 10 clock cycles, so the delay is 1 ns. The instruction can be interrupted between byte transfers, which results in a delay of no more than 15 clock cycles = 1.5 ns. Therefore, the worst-case delay is 1.5 ns.

- 12.5 a. A factor of 2.
b. A factor of 1.5. Source: [PROT88].

- 12.6 a. The occurrence of a program jump wastes up to 4 bus cycles (corresponding to the 4 bytes in the instruction queue when the jump is encountered). For 100 instructions, the number of nonwasted bus cycles is, on average, $90 \times 2 = 180$. The number wasted is as high as $10 \times 4 = 40$. Therefore the fraction of wasted cycles is $40 / (180 + 40) = 0.18$.
- b. If the capacity of the instruction queue is 8, then the fraction of wasted cycles is $80 / (180 + 80) = 0.3$. Source: [PROT88].

12.7



This diagram distorts the true picture. The execute stage will be much longer than the fetch stage.

12.8

	1	2	3	4	5	6	7	8	9	10
I1	FI	DA	FO	EX						
I2		FI	DA	FO	EX					
I3			FI	DA	FO	EX				
I4				FI	DA	FO				
I5					FI	DA				
I6						FI				
I15							FI	DA	FO	EX

- 12.9 a. We can ignore the initial filling up of the pipeline and the final emptying of the pipeline, because this involves only a few instructions out of 1.5 million instructions. Therefore the speedup is a factor of five.
 b. One instruction is completed per clock cycle, for an throughput of 2500 MIPS.
- 12.10 a. Using Equation (12.2), we can calculate the speedup of the pipelined 2-GHz processor versus a comparable 2-GHz processor without pipelining:

$$S = (nk) / [k + (n - 1)] = 500 / 104 = 4.8$$

- However, the unpipelined 2-GHz processor will have a reduced speed of a factor of 0.8 compared to the 2.5-GHz processor. So the overall speedup is $4.8 \times 0.8 = 3.8$.
- b. For the first processor, each instruction takes 4 clock cycle, so the MIPS rate is $2500 \text{ MHz} / 4 = 625 \text{ MIPS}$. For the second processor, instructions are completed at the rate of one per clock cycle, so that the MIPS rate is 2000 MIPS.

- 12.11** The number of instructions causing branches to take place is pqn , and the number that do not cause a branch is $(1 - pq)n$. As a good approximation, we can replace Equation (12.1) with:

$$T_k = pqnk\tau + (1 - pq)[k + (n - 1)]\tau$$

Equation (12.2) then becomes

$$S_k = \frac{T_1}{T_k} = \frac{nk\tau}{(pq)nk\tau + (1 - pq)[k + (n - 1)]\tau} = \frac{nk}{(pq)nk + (1 - pq)[k + (n - 1)]}$$

- 12.12** (1) The branch target cannot be fetched until its address is determined, which may require an address computation, depending on the addressing mode. This causes a delay in loading one of the streams. The delay may be increased if a component of the address calculation is a value that is not yet available, such as a displacement value in a register that has not yet been stored in the register. Other delays relate to contention for the register file and main memory. (2) The cost of replicating significant parts of the pipeline is substantial, making this mechanism of questionable cost-effectiveness.

- 12.13** a. Call the first state diagram Strategy A. Strategy A corresponds to the following behavior. If both of the last two branches of the given instruction have not taken the branch, then predict that the branch will not be taken; otherwise, predict that the branch will be taken.
- Call the second state diagram Strategy B. Strategy B corresponds to the following behavior. Two errors are required to change a prediction. That is, when the current prediction is Not Taken, and the last two branches were not taken, then two taken branches are required to change the prediction to Taken. Similarly, if the current prediction is Taken, and the last two branches were taken, then two not-taken branches are required to change the prediction to Not Taken. However, if there is a change in prediction followed by an error, the previous prediction is restored.
- b. Strategy A works best when it is usually the case that branches are taken. In both Figure 12.17 and Strategy B, two wrong guesses are required to change the prediction. Thus, for both a loop exit will not serve to change the prediction. When most branches are part of a loop, these two strategies are superior to Strategy A. The difference between Figure 12.17 and Strategy B is that in the case of Figure 12.17, two wrong are also required to return to the previous prediction, whereas in Strategy B, only one wrong guess is required to return to the previous prediction. It is unlikely that either strategy is superior to the other for most programs.

- 12.14** a. The comparison of memory addressed by A0 and A1 renders the BNE condition false, because the data strings are the same. The program loops between the first two lines until the contents of D1 are decremented below 0 (to -1). At that point, the DBNE loop is terminated. D1 is decremented from 255 (\$FF) to -1; thus the loop runs a total of 256 times. Due to the longword access and the postincrement addressing, the A0 and A1 registers are incremented by $4 \times \$100 = \400 , to \$4400 and \$5400, respectively.

- b. The first comparison renders the BNE condition true, because the compared data patterns are different. Therefore the DBNE loop is terminated at the first comparison. However, the A0 and A1 registers are incremented to \$4004 and \$5004, respectively. D1 still contains \$FF.

12.15

Fetch	D1	D2	EX	WB	CMP Reg1, Imm
	Fetch	D1	D2	EX	Jcc Target
		Fetch	D1	D2	EX
				EX	Target

- 12.16 We need to add the results for the three types of branches, weighted by the fraction of each type that go to the target. For the scientific environment, the result is:

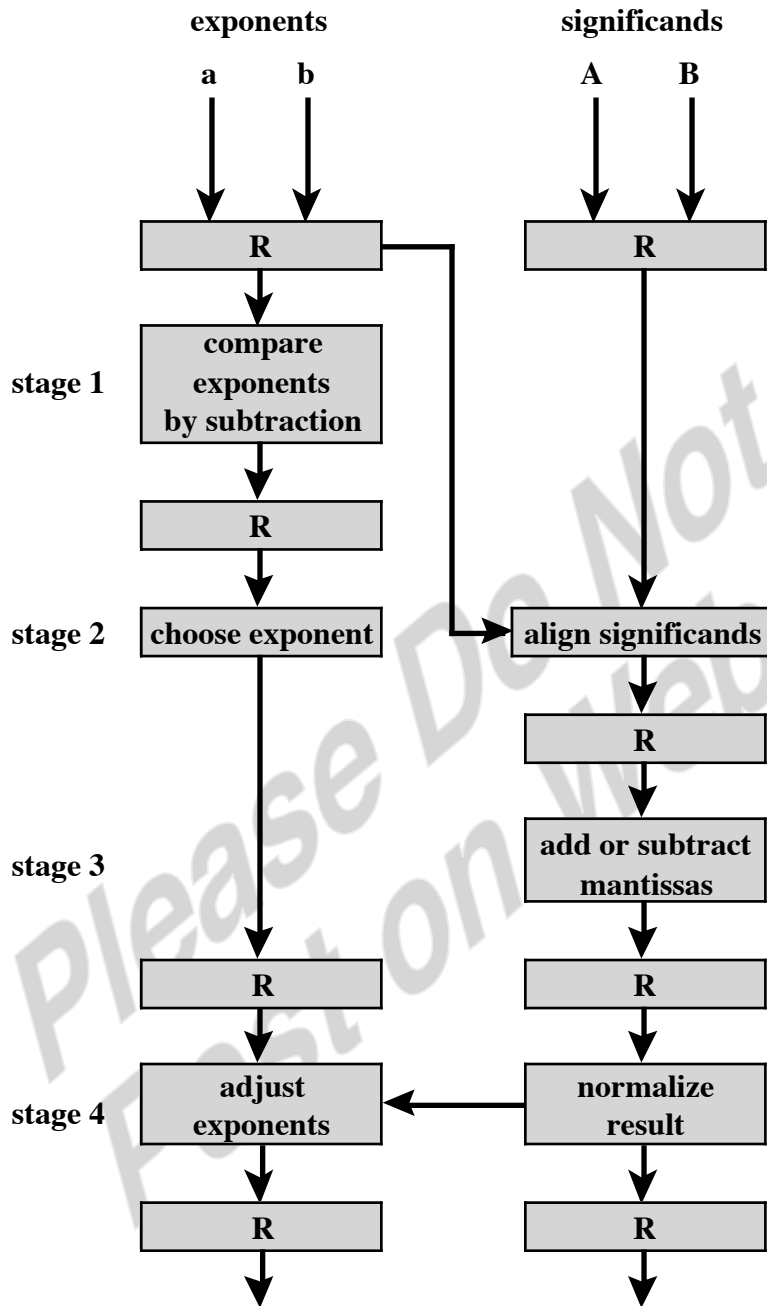
$$[0.725 \times (0.2 + 0.432)] + [0.098 \times 0.91] + 0.177 = 0.724$$

For the commercial environment, the result is:

$$[0.725 \times (0.4 + 0.243)] + [0.098 \times 0.91] + 0.177 = 0.732$$

For the systems environment, the result is:

$$[0.725 \times (0.35 + 0.325)] + [0.098 \times 0.91] + 0.177 = 0.756$$



CHAPTER 13 REDUCED INSTRUCTION SET COMPUTERS

ANSWERS TO QUESTIONS

- 13.1** (1) a limited instruction set with a fixed format, (2) a large number of registers or the use of a compiler that optimizes register usage, and (3) an emphasis on optimizing the instruction pipeline.
- 13.2** Two basic approaches are possible, one based on software and the other on hardware. The software approach is to rely on the compiler to maximize register usage. The compiler will attempt to allocate registers to those variables that will be used the most in a given time period. This approach requires the use of sophisticated program-analysis algorithms. The hardware approach is simply to use more registers so that more variables can be held in registers for longer periods of time.
- 13.3** (1) Variables declared as global in an HLL can be assigned memory locations by the compiler, and all machine instructions that reference these variables will use memory-reference operands. (2) Incorporate a set of global registers in the processor. These registers would be fixed in number and available to all procedures
- 13.4** One instruction per cycle. Register-to-register operations. Simple addressing modes. Simple instruction formats.
- 13.5** Delayed branch, a way of increasing the efficiency of the pipeline, makes use of a branch that does not take effect until after execution of the following instruction.

ANSWERS TO PROBLEMS

- 13.1 a.** Figure 4.16 shows the movement of the window for a size of five. Each movement is an underflow or an overflow. Total = 18.
- b.** The results for $W = 8$ can easily be read from Figure 4.16. Each movement of a window in the figure is by an increment of 1. Initially, the window covers 1 through 5, then 2 through 6, and so on. Only when the window reaches 5 through 9 have we reached a point at which a window of size 8 would have to move. Total = 8.
- c.** The greatest call depth in the figure is 15, hence for $W = 16$, Total = 0.

13.2 The temporary registers of level J are the parameter registers of level J + 1. Hence, those registers are saved and restored as part of the window for J + 1.

13.3 **Two-way pipeline:** The I and E phases can overlap; thus we use N rather than 2N. Each D phase adds delay, so that term still must be included. Finally, each jump wastes the next instruction fetch opportunity. Hence

$$\text{2-Way: } N + D + J$$

Three-way pipeline: Because the D phase can overlap with the subsequent E phase, it would appear that we can eliminate the D term. However, as can be seen in Figure 13.6, the data fetch is not completed prior to the execution of the following instruction. If this following instruction utilizes the fetched data as one of its operands, it must wait one phase. If this data dependency occurs a fraction α of the time, then:

$$\text{3-Way: } N + \alpha D + J$$

Four-way pipeline: In this case, each jump causes a loss of two phases, and a data-dependent D causes a delay of one phase. However, the phases may be shorter.

$$\text{4-Way: } N + \alpha D + 2J$$

13.4

Load	$rA \leftarrow M$	I	E ₁	E ₂	D								
Load	$rB \leftarrow M$		I	E ₁	E ₂	D							
NOOP				I	E ₁	E ₂							
Branch	X				I	E ₁	E ₂						
Add	$rC \leftarrow rA + rB$					I	E ₁	E ₂					
Store	$M \leftarrow rC$						I	E ₁	E ₂	D			

13.5 If we replace I by $32 \times I$, we can generate the following code:

```

MOV    ECX, 32          ; use register ECX to hold 32 × I
LP: MOV    EBX, Q[ECX]  ; load VAL field
ADD    S, EBX          ; add to S
ADD    ECX, 32         ; add 32 to 32 × I
CMP    ECX, 3200       ; test against adjusted limit
JNE    LP              ; loop until I × 32 = 100 × 32

```

```

13.6      LD      R1, 0           ; keep value of S in R1
          LD      R2, 1           ; keep value of K in R2
LP        SUB    R1, R1, R2      ; S := S - 1
LP1       BEQ    R2, 100, EXIT   ; done if K = 100
          NOP
          ADD    R2, R2, 1       ; else increment K
          JMP    LP1             ; back to start of loop
          SUB    R1, R1, R2      ; execute SUB in JMP delay slot

13.7 a.   LD      MR1, A         ;load A into machine register 1
          LD      MR2, B         ;load B into machine register 2
          ADD    MR1, MR1, MR2   ;add contents of MR1 and MR2 and store in MR3
          LD      MR2, C
          LD      MR3, D
          ADD    MR2, MR2, MR3

```

A total of 3 machine registers are used, but now that the two additions use the same register, we no longer have the opportunity to interleave the calculations for scheduling purposes.

b. First we do instruction reordering from the original program:

```

LD      SR1, A
LD      SR2, B
LD      SR4, C
LD      SR5, D
ADD    SR3, SR1, SR2
ADD    SR6, SR4, SR5

```

This avoids the pipeline conflicts caused by immediately referencing loaded data. Now we do the register assignment:

```

LD      MR1, A
LD      MR2, B
LD      MR3, C
LD      MR4, D
ADD    MR5, MR1, MR2
ADD    MR1, MR3, MR4

```

Five machine registers are used instead of three, but the scheduling is improved.

13.8

	Number of instruction sizes	Max instruction size in bytes	Number of addressing modes	Indirect addressing	Load/store combined with arithmetic
Pentium II	12	12	15	no	yes
PowerPC	1	4	1	no	no

	Max number of memory operands	Unaligned addressing allowed	Max Number of MMU uses	Number of bits for integer register specifier	Number of bits for FP register specifier
Pentium II	2	yes	2	2	4
PowerPC	1	no	1	5	5

13.9 Register-to-Register Move

$R_d \leftarrow R_s + R_0$
 Increment, Decrement Use ADD with immediate constant of 1, -1
 Complement $R_s \text{ XOR } (-1)$
 Negate $R_0 - R_s$
 Clear $R_d \leftarrow R_0 + R_0$

13.10 $N = 8 + (16 \times K)$

- 13.11
- OR src with G0 and store the result in dst
 - SUBCC src2 from src1 and store the result in G0
 - ORCC src1 with G0 and store the result in G0
 - XNOR dst with G0
 - SUB dst from G0 and store in dst
 - ADD 1 to dst (immediate operand)
 - SUB 1 from dst (immediate operand)
 - OR G0 with G0 and store in dst
 - SETHI G0 with 0
 - JMPL %I7+8m %G0
- Source: [TANE99]

13.12 a.

```

sethi %hi(K), %r8           ;load high-order 22 bits of address of location
                             ;K into register r8
ld [%r8 + %lo(K)], %r8     ;load contents of location K into r8
cmp %r8, 10                ;compare contents of r8 with 10
ble L1                     ;branch if (r8) ≤ 10
nop
inc %r8                    ;add 1 to (r8)
b L2
nop
L1: dec %r8                 ;subtract 1 from (r8)
L2: sethi %hi(L), %r10
st %r8, [%r10 + %lo(L)]   ;store (r8) into location L

```

b.

```

sethi %hi(K), %r8           ;load high-order 22 bits of address of location
                             ;K into register r8
ld [%r8 + %lo(K)], %r8     ;load contents of location K into r8
cmp %r8, 10                ;compare contents of r8 with 10
ble.a L1                   ;branch if (r8) ≤ 10
dec %r8                    ;subtract 1 from (r8)
inc %r8                    ;add 1 to (r8)
b L2
nop
L1:
L2: sethi %hi(L), %r10
st %r8, [%r10 + %lo(L)]   ;store (r8) into location L

```

c.

```

sethi %hi(K), %r8           ;load high-order 22 bits of address of location
                             ;K into register r8
ld [%r8 + %lo(K)], %r8     ;load contents of location K into r8
cmp %r8, 10                ;compare contents of r8 with 10
ble.a L1                   ;branch if (r8) ≤ 10
dec %r8                    ;subtract 1 from (r8)
inc %r8                    ;add 1 to (r8)
L2: sethi %hi(L), %r10
st %r8, [%r10 + %lo(L)]   ;store (r8) into location L

```

CHAPTER 14 INSTRUCTION-LEVEL PARALLELISM AND SUPERSCALAR PROCESSORS

ANSWERS TO QUESTIONS

- 14.1 A superscalar processor is one in which multiple independent instruction pipelines are used. Each pipeline consists of multiple stages, so that each pipeline can handle multiple instructions at a time. Multiple pipelines introduce a new level of parallelism, enabling multiple streams of instructions to be processed at a time.
- 14.2 Superpipelining exploits the fact that many pipeline stages perform tasks that require less than half a clock cycle. Thus, a doubled internal clock speed allows the performance of two tasks in one external clock cycle.
- 14.3 Instruction-level parallelism refers to the degree to which the instructions of a program can be executed in parallel.
- 14.4 **True data dependency:** A second instruction needs data produced by the first instruction. **Procedural dependency:** The instructions following a branch (taken or not taken) have a procedural dependency on the branch and cannot be executed until the branch is executed. **Resource conflicts:** A resource conflict is a competition of two or more instructions for the same resource at the same time. **Output dependency:** Two instructions update the same register, so the later instruction must update later. **Antidependency:** A second instruction destroys a value that the first instruction uses.
- 14.5 **Instruction-level parallelism** exists when instructions in a sequence are independent and thus can be executed in parallel by overlapping. **Machine parallelism** is a measure of the ability of the processor to take advantage of instruction-level parallelism. Machine parallelism is determined by the number of instructions that can be fetched and executed at the same time (the number of parallel pipelines) and by the speed and sophistication of the mechanisms that the processor uses to find independent instructions.
- 14.6 **In-order issue with in-order completion:** Issue instructions in the exact order that would be achieved by sequential execution and to write results in that same order. **In-order issue with out-of-order completion:** Issue instructions in the exact order that would be achieved by sequential execution but allow instructions to run to completion out of order. **Out-of-order issue with out-of-order completion:** The processor has a lookahead capability, allowing it to identify independent instructions that can be brought into the execute stage. Instructions are issued with

little regard for their original program order. Instructions may also run to completion out of order.

- 14.7** For an out-of-order issue policy, the instruction window is a buffer that holds decoded instructions. These may be issued from the instruction window in the most convenient order.
- 14.8** Registers are allocated dynamically by the processor hardware, and they are associated with the values needed by instructions at various points in time. When a new register value is created (i.e., when an instruction executes that has a register as a destination operand), a new register is allocated for that value.
- 14.9** (1) Instruction fetch strategies that simultaneously fetch multiple instructions, often by predicting the outcomes of, and fetching beyond, conditional branch instructions. These functions require the use of multiple pipeline fetch and decode stages, and branch prediction logic. (2) Logic for determining true dependencies involving register values, and mechanisms for communicating these values to where they are needed during execution. (3) Mechanisms for initiating, or issuing, multiple instructions in parallel. (4) Resources for parallel execution of multiple instructions, including multiple pipelined functional units and memory hierarchies capable of simultaneously servicing multiple memory references. (5) Mechanisms for committing the process state in correct order.

ANSWERS TO PROBLEMS

- 14.1** This problem is discussed in [JOHN91]. One approach to restarting after an interrupt relies on processor hardware to maintain a simple, well-defined restart state that is identical to the state of a processor having in-order completion. A processor providing this form of restart state is said to support *precise interrupts*. With precise interrupts, the interrupt return address indicates both the location of the instruction that caused the interrupt and the location where the program should be restarted. Without precise interrupts, the processor needs a mechanism to indicate the exceptional instruction and another to indicate where the program should be restarted. With out-of-order completion, providing precise interrupts is harder than not providing them, because of the hardware required to give the appearance of in-order completion.

14.2 a.

Instruction	Fetch	Decode	Execute	Writeback
0 ADD r3, r1, r2	0	1	2	3
1 LOAD r6, [r3]	1	2	4	9
2 AND r7, r5, 3	2	3	5	6
3 ADD r1, r6, r0	3	4	10	11
4 SRL r7, r0, 8	4	5	6	7
5 OR r2, r4, r7	5	6	8	10
6 SUB r5, r3, r4	6	7	9	12
7 ADD r0, r1, 10	7	8	12	13
8 LOAD r6, [r5]	8	9	13	18
9 SUB r2, r1, r6	9	10	19	20
10 AND r3, r7, 15	10	11	14	15

b.

Instruction	Fetch	Decode	Execute	Writeback
0 ADD r3, r1, r2	0	1	2	3
1 LOAD r6, [r3]	1	2	4	9
2 AND r7, r5, 3	2	3	5	10
3 ADD r1, r6, r0	3	4	11	12
4 SRL r7, r0, 8	4	5	12	13
5 OR r2, r4, r7	5	6	14	15
6 SUB r5, r3, r4	6	7	15	16
7 ADD r0, r1, 10	7	8	17	18
8 LOAD r6, [r5]	8	9	19	24
9 SUB r2, r1, r6	9	10	25	26
10 AND r3, r7, 15	10	11	26	27

c.

Instruction	Fetch	Decode	Execute	Writeback
0 ADD r3, r1, r2	0	1	2	3
1 LOAD r6, [r3]	0	1	4	9
2 AND r7, r5, 3	1	2	3	4
3 ADD r1, r6, r0	1	2	10	11
4 SRL r7, r0, 8	2	3	4	5
5 OR r2, r4, r7	2	3	6	7
6 SUB r5, r3, r4	3	4	5	6
7 ADD r0, r1, 10	3	4	12	13
8 LOAD r6, [r5]	4	5	11	16
9 SUB r2, r1, r6	4	5	17	18
10 AND r3, r7, 15	5	6	7	8

- 14.3 •write-write: I1, I3
 •read-write: I2, I3
 •write-read: I1, I2

14.4 a.

write-read	write-write	read-write
L2 – L4	L1 – L2	L2 – L3
L2 – L5	L2 – L5	L2 – L4
L1 – L4	L1 – L5	L3 – L4
L1 – L5		L4 – L5

- b. L1: $R1_b = 100$
 L2: $R1_c = R2_a + R4_a$
 L3: $R2_b = R4_a - 25$
 L4: $R4_b = R1_c + R3_a$
 L5: $R1_d = R1_c + 30$

14.5 a. Since I2 and I1 are in different columns of the execution unit, it is unlikely that there is a resource conflict, i.e., I2 is not waiting for I1 to finish using one of the CPU's resources. What is far more likely is that there is a true data dependency here. In other words, the result of I1 is needed to execute I2. True data dependencies cannot be fixed using out-of-order issue or out-of-order completion. Therefore, there will be no speed up of I2 with respect to I1 by changing the issue sequence or output sequence.

b. The in-order completion requirements of the system require I5 to be completed before I6 can be written. The pair went into the pipe together and they must come out together. This is not the case for out-of-order completion, so either "in-order-issue/out-of-order completion" or "out-of-order-issue/out-of-order completion" will fix this. As a side note, let's look at what happens to the execution of these instructions if we do pass this through an "out-of-order issue/out-of-order completion" machine. Assume that the only true data dependency we have is between I1 and I2. and therefore, I2 must stay in the instruction window until I1 is finished. The first benefit of going to "out-of-order issue/out-of-order completion" is the ability to get instructions into the execution stage as soon as the resource becomes available. The decode unit takes one cycle to pull in a pair of instructions then pass them to the window. As long as the window has room for the instruction, nothing should hold up the decode stage. The instructions must stay in the window until either the dependency is resolved (e.g., I1 – I2) or until the execute resource frees up allowing the stage to execute.

- I2 waits in the window until I1 is completed to satisfy the dependency
- I3 comes out of the window as soon as I1 is finished with the resource that I3 needs
- I4 comes out of the window as soon as I2 is finished with the resource that I4 needs
- I5 doesn't need to stay in the window because its resource is free as soon as it's done with decoding
- I6 has to wait until I4 is finished with the resource that I6 needs

The out-of-order completion allows instructions to enter the write cycle as soon as they are completed. The only hiccup in this process is that I5, I4, and I3

are all completed at the same time, but since there are only two write pipes, I5 must wait until cycle 7 to be written. In the end, "out-of-order issue/out-of-order completion" saves two cycles. This reduces the execution time by 2 cycles/9 cycles = 22%.

- 14.6 a. True data dependency: I1, I2; I5, I6
 Antidependency: I3, I4
 Output dependency: I5, I6

b.

I1	f1	d1	e2	s1					
I2	f2	d2		a1	a2	s2			
	I3	f1	d1		a1	a2	s1		
	I4	f2	d2	m1	m2	m3	s2		
	I5	f1	d1	e1			s1		
	I6	f2	d2		m1	m2	m3	s2	

c.

I1	f1	d1	e2	s1					
I2	f2	d2		a1	a2	s2			
	I3	f1	d1		a1	a2	s1		
	I4	f2	d2	m1	m2	m3	s2		
	I5	f1	d1	e1	s1				
	I6	f2	d2		m1	m2	m3	s2	

d.

	I3	f1	d1	a1	a2	s1			
	I4	f2	d2	m1	m2	m3	s2		
lookahead window I5		f3	d3	e1	s1				
	I6	f1	d1	m1	m2	m3	s2		
	I1	f2	d2	e2	s2				
		I2	f1	d1	a1	a2	s1		

- 14.7 The figure is from [SMIT95]. w = instruction dispatch; x = load/store units; y = integer units; z = floating-point units. Part a is the single-queue method, with no out of order issuing. Part b is a multiple-queue method; instructions issue from each queue in order, but the queues may issue out of order with respect to one another. Part c is a reservation station scheme; instructions may issue out of order.

- 14.8 a. **Figure 14.16d** is equivalent to Figure 12.19
Figure 14.16b is equivalent to Figure 12.28a
Figure 14.16c is equivalent to Figure 12.28b
Figure 14.16a: If the last branch was taken, predict that this branch will be taken; if the last branch was not taken, predict that this branch will not be taken.
Figure 14.7e: This is very close to Figure 14.7c. The difference is as follows. For Figure 14.7c, if there is a change in prediction followed by an error, the previous prediction is restored; this is true for either type of error. For Figure 14.7c, if there is a change in prediction from *taken* to *not taken* followed by an error, the prediction of taken is restored. However if there is a change in prediction from not taken to taken followed by an error, the taken prediction is retained.

- b. The rationale is summarized in [OMON99, page 114]: "Whereas in loop-closing branches, the past history of an individual branch instruction is usually a good guide to future behavior, with more complex control-flow structures, such as sequences of IF-ELSE constructs or nestings of similar constructs, the direction of a branch is frequently affected by the directions taken by related branches. If we consider each of the possible paths that lead to a given nested branch, then it is clear that prediction in such a case should be based on the subhistories determined by such paths, i.e., how a particular branch is arrived at, rather than just on the individual history of a branch instruction. And in sequences of conditionals, there will be instances when the outcome of one condition-test depends on that of a preceding condition if the conditions are related in some way — for example, if part of the conditions are common."

Please Do Not
Post on Web

CHAPTER 15 CONTROL UNIT OPERATION

ANSWERS TO QUESTIONS

- 15.1 The operation of a computer, in executing a program, consists of a sequence of instruction cycles, with one machine instruction per cycle. This sequence of instruction cycles is not necessarily the same as the **written sequence** of instructions that make up the program, because of the existence of branching instructions. The actual execution of instructions follows a **time sequence** of instructions.
- 15.2 A micro-operation is an elementary CPU operation, performed during one clock pulse. An instruction consists of a sequence of micro-operations.
- 15.3 The control unit of a processor performs two tasks: (1) It causes the processor to execute micro-operations in the proper sequence, determined by the program being executed, and (2) it generates the control signals that cause each micro-operation to be executed.
- 15.4 1. Define the basic elements of the processor. 2. Describe the micro-operations that the processor performs. 3. Determine the functions that the control unit must perform to cause the micro-operations to be performed.
- 15.5 **Sequencing:** The control unit causes the processor to step through a series of micro-operations in the proper sequence, based on the program being executed. **Execution:** The control unit causes each micro-operation to be performed.
- 15.6 The **inputs** are: **Clock:** This is how the control unit “keeps time.” The control unit causes one micro-operation (or a set of simultaneous micro-operations) to be performed for each clock pulse. This is sometimes referred to as the processor cycle time, or the clock cycle time. **Instruction register:** The opcode of the current instruction is used to determine which micro-operations to perform during the execute cycle. **Flags:** These are needed by the control unit to determine the status of the processor and the outcome of previous ALU operations. **Control signals from control bus:** The control bus portion of the system bus provides signals to the control unit, such as interrupt signals and acknowledgments. The **outputs** are: **Control signals within the processor:** These are two types: those that cause data to be moved from one register to another, and those that activate specific ALU functions. **Control signals to control bus:** These are also of two types: control signals to memory, and control signals to the I/O modules.
- 15.7 (1) Those that activate an ALU function. (2) those that activate a data path. (3) Those that are signals on the external system bus or other external interface

15.8 In a hardwired implementation, the control unit is essentially a combinatorial circuit. Its input logic signals are transformed into a set of output logic signals, which are the control signals.

ANSWERS TO PROBLEMS

15.1 Consider the instruction SUB R1, X, which subtracts the contents of location X from the contents of register R1, and places the result in R1.

t_1 : MAR \leftarrow (IR(address))
 t_2 : MBR \leftarrow Memory
 t_3 : MBR \leftarrow Complement(MBR)
 t_4 : MBR \leftarrow Increment(MBR)
 t_5 : R1 \leftarrow (R1) + (MBR)

15.2 LOAD AC: t_1 : MAR \leftarrow (IR(address)) C8
 t_2 : MBR \leftarrow Memory C5, CR
 t_3 : AC \leftarrow (MBR) C10

STORE AC t_1 : MAR \leftarrow (IR(address)) C8
 t_2 : MBR \leftarrow (AC) C11
 t_3 : Memory \leftarrow (MBR) C12, CW

ADD AC t_1 : MAR \leftarrow (IR(address)) C8
 t_2 : MBR \leftarrow Memory C5, CR
 t_3 : AC \leftarrow (AC) + (MBR) C_{ALU}, C6, C7, C9

Note: There must be a delay between the activation of C8 and C9, and one or more control signals must be sent to the ALU. All of this would be done during one or more clock pulses, depending on control unit design.

AND AC t_1 : MAR \leftarrow (IR(address)) C8
 t_2 : MBR \leftarrow Memory C5, CR
 t_3 : AC \leftarrow (AC) AND (MBR) C_{ALU}, C6, C7, C9

JUMP t_1 : PC \leftarrow IR(address) C3

JUMP if AC=0 Test AC and activate C3 if AC = 0

Complement AC t_1 : AC \leftarrow (\overline{AC}) C_{ALU}, C6, C7, C9

15.3 a. Time required = propagation time + copy time
= 30 ns

b. Incrementing the program counter involves two steps:

- (1) $Z \leftarrow (PC) + 1$
- (2) $PC \leftarrow (Z)$

The first step requires $20 + 100 + 10 = 130$ ns.

The second step requires 30 ns.

Total time = 160 ns.

15.4 a. $t_1: Y \leftarrow (IR(\text{address}))$
 $t_2: Z \leftarrow (AC) + (Y)$
 $t_3: AC \leftarrow (Z)$

b. $t_1: MAR \leftarrow (IR(\text{address}))$
 $t_2: MBR \leftarrow \text{Memory}$
 $t_3: Y \leftarrow (MBR)$
 $t_4: Z \leftarrow (AC) + (Y)$
 $t_5: AC \leftarrow (Z)$

c. $t_1: MAR \leftarrow (IR(\text{address}))$
 $t_2: MBR \leftarrow \text{Memory}$
 $t_3: MAR \leftarrow (MBR)$
 $t_4: MBR \leftarrow \text{Memory}$
 $t_5: Y \leftarrow (MBR)$
 $t_6: Z \leftarrow (AC) + (Y)$
 $t_7: AC \leftarrow (Z)$

15.5 Assume configuration of Figure 10.14a. For the push operation, assume value to be pushed is in register R1.

POP: $t_1: SP \leftarrow (SP) + 1$

PUSH: $t_1: SP \leftarrow (SP) - 1$
 $MBR \leftarrow (R1)$
 $t_2: MAR \leftarrow (SP)$
 $t_3: \text{Memory} \leftarrow (MBR)$

CHAPTER 16 MICROPROGRAMMED CONTROL

ANSWERS TO QUESTIONS

- 16.1** A **hardwired control unit** is a combinatorial circuit, in which input logic signals are transformed into a set of output logic signals that function as the control signals. In a **microprogrammed control unit**, the logic is specified by a microprogram. A microprogram consists of a sequence of instructions in a microprogramming language. These are very simple instructions that specify micro-operations.
- 16.2** **1.** To execute a microinstruction, turn on all the control lines indicated by a 1 bit; leave off all control lines indicated by a 0 bit. The resulting control signals will cause one or more micro-operations to be performed. **2.** If the condition indicated by the condition bits is false, execute the next microinstruction in sequence. **3.** If the condition indicated by the condition bits is true, the next microinstruction to be executed is indicated in the address field.
- 16.3** The control memory contains the set of microinstructions that define the functionality of the control unit.
- 16.4** The microinstructions in each routine are to be executed sequentially. Each routine ends with a branch or jump instruction indicating where to go next.
- 16.5** In a **horizontal microinstruction** every bit in the control field attaches to a control line. In a **vertical microinstruction**, a code is used for each action to be performed and the decoder translates this code into individual control signals.
- 16.6** **Microinstruction sequencing:** Get the next microinstruction from the control memory. **Microinstruction execution:** Generate the control signals needed to execute the microinstruction.
- 16.7** The degree of packing relates to the degree of identification between a given control task and specific microinstruction bits. As the bits become more **packed**, a given number of bits contains more information. An unpacked microinstruction has no coding beyond assignment of individual functions to individual bits.
- 16.8** **Hard microprograms** are generally fixed and committed to read-only memory. **Soft microprograms** are more changeable and are suggestive of user microprogramming.
- 16.9** Two approaches can be taken to organizing the encoded microinstruction into fields: functional and resource. The **functional encoding** method identifies

functions within the machine and designates fields by function type. For example, if various sources can be used for transferring data to the accumulator, one field can be designated for this purpose, with each code specifying a different source. **Resource encoding** views the machine as consisting of a set of independent resources and devotes one field to each (e.g., I/O, memory, ALU).

- 16.10** Realization of computers. Emulation. Operating system support. Realization of special-purpose devices. High-level language support. Microdiagnostics. User Tailoring.

ANSWERS TO PROBLEMS

- 16.1** The multiply instruction is implemented by locations 27 through 37 of the microprogram in Table 16.2. It involves repeated additions.
- 16.2** Assume that the microprogram includes a fetch routine that starts at location 0 and a BRM macroinstruction that starts at location 40.

```
40: IF (AC0 = 1) THEN CAR ← 42; ELSE CAR ← (CAR) + 1
41: CAR ← 43; PC ← (PC) + 1
42: PC ← (IR(address))
43: CAR ← 0
```

- 16.3 a.** These flags represent Boolean variables that are input to the control unit logic. Together with the time input and other flags, they determine control unit output.
- b.** The phase of the instruction cycle is implicit in the organization of the microprogram. Certain locations in the microprogram memory correspond to each of the four phases.

- 16.4 a.** Three bits are needed to specify one of 8 flags.
- b.** $24 - 13 - 3 = 8$
- c.** $2^8 = 256 \text{ words} \times 24 \text{ bits/word} = 6144 \text{ bits}$.

- 16.5** Two of the codes in the address selection field must be dedicated to that purpose. For example, a value of 000 could correspond to no branch, a value of 111 could correspond to unconditional branch.

- 16.6** An address for control memory requires 10 bits ($2^{10} = 1024$). A very simple mapping would be this:

opcode	XXXXX
control address	00XXXXX000

This allows 8 words between successive addresses.

- 16.7** A field of 5 bits yields $2^5 - 1 = 31$ different combinations of control signals. A field of 4 bits yields $2^4 - 1 = 15$ different combinations, for a total of 46.

16.8 A 20-bit format consisting of the following fields:

- A1 (4 bits): specify register to act as one of the inputs to ALU
- A2 (4 bits): specifies other ALU input
- A3 (4 bits): specifies register to store ALU result
- AF (5 bits): specifies ALU function
- SH (3 bits): specifies shift function

In addition, an address field for sequencing is needed.

Please Do Not
Post on Web

CHAPTER 17 PARALLEL PROCESSING

ANSWERS TO QUESTIONS

- 17.1 Single instruction, single data (SISD) stream:** A single processor executes a single instruction stream to operate on data stored in a single memory. **Single instruction, multiple data (SIMD) stream:** A single machine instruction controls the simultaneous execution of a number of processing elements on a lockstep basis. Each processing element has an associated data memory, so that each instruction is executed on a different set of data by the different processors. **Multiple instruction, multiple data (MIMD) stream:** A set of processors simultaneously execute different instruction sequences on different data sets.
- 17.2** 1. There are two or more similar processors of comparable capability. 2. These processors share the same main memory and I/O facilities and are interconnected by a bus or other internal connection scheme, such that memory access time is approximately the same for each processor. 3. All processors share access to I/O devices, either through the same channels or through different channels that provide paths to the same device. 4. All processors can perform the same functions (hence the term *symmetric*). 5. The system is controlled by an integrated operating system that provides interaction between processors and their programs at the job, task, file, and data element levels.
- 17.3 Performance:** If the work to be done by a computer can be organized so that some portions of the work can be done in parallel, then a system with multiple processors will yield greater performance than one with a single processor of the same type. **Availability:** In a symmetric multiprocessor, because all processors can perform the same functions, the failure of a single processor does not halt the machine. Instead, the system can continue to function at reduced performance. **Incremental growth:** A user can enhance the performance of a system by adding an additional processor. **Scaling:** Vendors can offer a range of products with different price and performance characteristics based on the number of processors configured in the system.
- 17.4 Simultaneous concurrent processes:** OS routines need to be reentrant to allow several processors to execute the same OS code simultaneously. With multiple processors executing the same or different parts of the OS, OS tables and management structures must be managed properly to avoid deadlock or invalid operations. **Scheduling:** Any processor may perform scheduling, so conflicts must be avoided. The scheduler must assign ready processes to available processors. **Synchronization:** With multiple active processes having potential access to shared address spaces or shared I/O resources, care must be taken to provide effective synchronization. Synchronization is a facility that enforces mutual exclusion and

event ordering. **Memory management:** Memory management on a multiprocessor must deal with all of the issues found on uniprocessor machines, as is discussed in Chapter 8. In addition, the operating system needs to exploit the available hardware parallelism, such as multiported memories, to achieve the best performance. The paging mechanisms on different processors must be coordinated to enforce consistency when several processors share a page or segment and to decide on page replacement. **Reliability and fault tolerance:** The operating system should provide graceful degradation in the face of processor failure. The scheduler and other portions of the operating system must recognize the loss of a processor and restructure management tables accordingly.

- 17.5 Software cache coherence schemes attempt to avoid the need for additional hardware circuitry and logic by relying on the compiler and operating system to deal with the problem. In hardware schemes, the cache coherence logic is implemented in hardware.
- 17.6 **Modified:** The line in the cache has been modified (different from main memory) and is available only in this cache. **Exclusive:** The line in the cache is the same as that in main memory and is not present in any other cache. **Shared:** The line in the cache is the same as that in main memory and may be present in another cache. **Invalid:** The line in the cache does not contain valid data.
- 17.7 **Absolute scalability:** It is possible to create large clusters that far surpass the power of even the largest standalone machines. **Incremental scalability:** A cluster is configured in such a way that it is possible to add new systems to the cluster in small increments. Thus, a user can start out with a modest system and expand it as needs grow, without having to go through a major upgrade in which an existing small system is replaced with a larger system. **High availability:** Because each node in a cluster is a standalone computer, the failure of one node does not mean loss of service. **Superior price/performance:** By using commodity building blocks, it is possible to put together a cluster with equal or greater computing power than a single large machine, at much lower cost.
- 17.8 The function of switching an applications and data resources over from a failed system to an alternative system in the cluster is referred to as **failover**. A related function is the restoration of applications and data resources to the original system once it has been fixed; this is referred to as **failback**.
- 17.9 **Uniform memory access (UMA):** All processors have access to all parts of main memory using loads and stores. The memory access time of a processor to all regions of memory is the same. The access times experienced by different processors are the same. **Nonuniform memory access (NUMA):** All processors have access to all parts of main memory using loads and stores. The memory access time of a processor differs depending on which region of main memory is accessed. The last statement is true for all processors; however, for different processors, which memory regions are slower and which are faster differ. **Cache-coherent NUMA (CC-NUMA):** A NUMA system in which cache coherence is maintained among the caches of the various processors.

ANSWERS TO PROBLEMS

17.1 a. MIPS rate = $[n\alpha + (1 - \alpha)] x = (n\alpha - \alpha + 1)x$

b. $\alpha = 0.6$

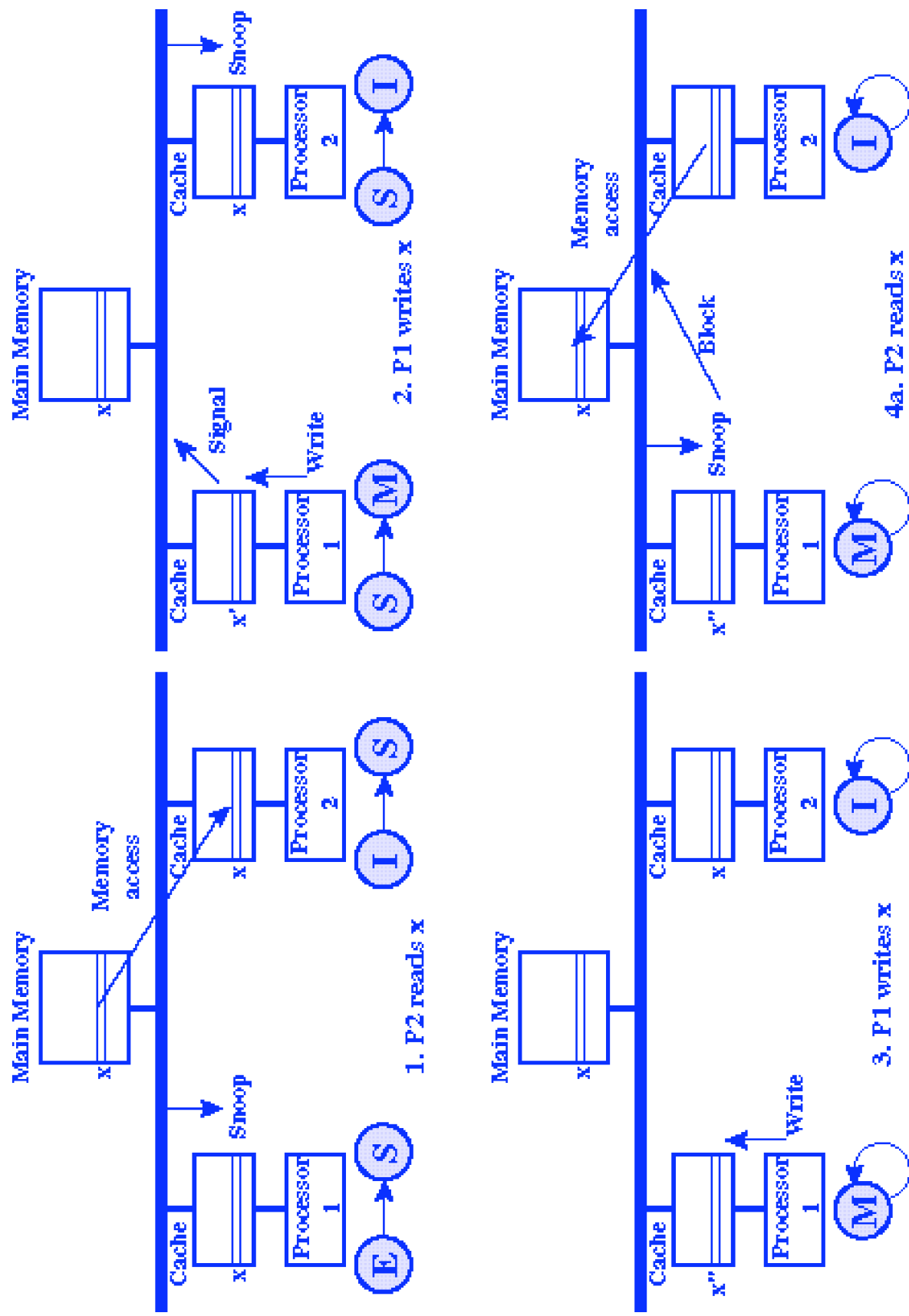
17.2 a. If this conservative policy is used, at most $20/4 = 5$ processes can be active simultaneously. Because one of the drives allocated to each process can be idle most of the time, at most 5 drives will be idle at a time. In the best case, none of the drives will be idle.

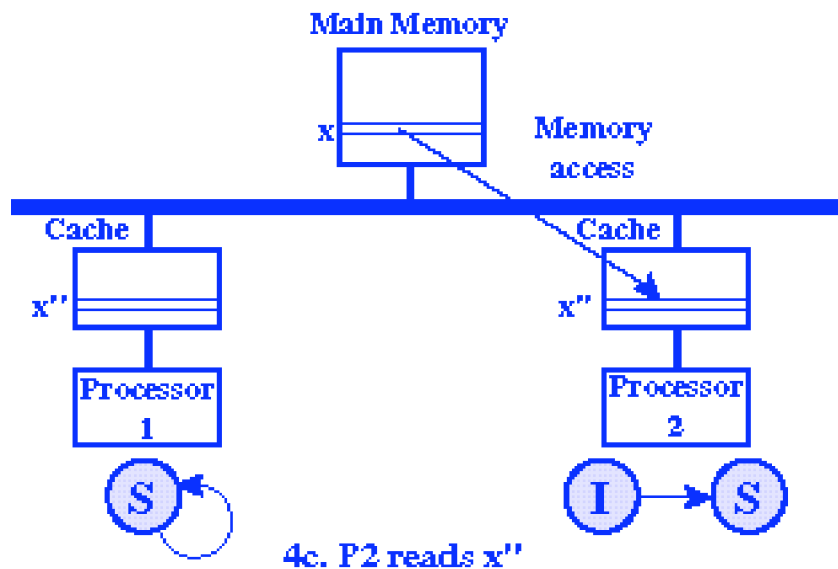
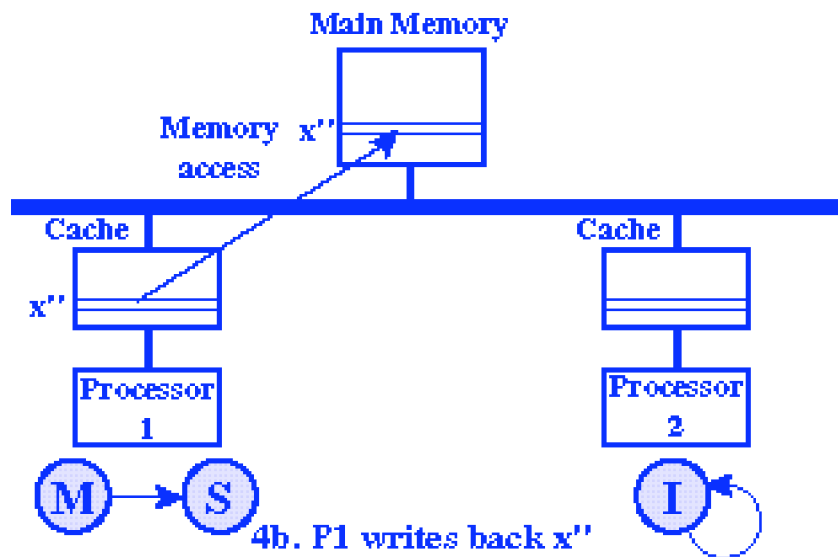
b. To improve drive utilization, each process can be initially allocated with three tape drives, with the fourth drive allocated on demand. With this policy, at most $\lfloor 20/3 \rfloor = 6$ processes can be active simultaneously. The minimum number of idle drives is 0 and the maximum number is 2.

Source: [HWAN93]

17.3 Processor A has a block of memory in its cache. When A writes to the block the first time, it updates main memory. This is a signal to other processors to invalidate their own copy (if they have one) of that block of main memory. Subsequent writes by A to that block only affect A's cache. If another processor attempts to read the block from main memory, the block is invalid. Solution: If A makes a second update, it must somehow tag that block in main memory as being invalid. If another processor wants the block, it must request that A write the latest version from its cache to main memory. All of this requires complex circuitry.

17.4





- 17.5 a. This is the simplest possible cache coherence protocol. It requires that all processors use a write-through policy. If a write is made to a location cached in remote caches, then the copies of the line in remote caches are invalidated. This approach is easy to implement but requires more bus and memory traffic because of the write-through policy.
- b. This protocol makes a distinction between shared and exclusive states. When a cache first loads a line, it puts it in the shared state. If the line is already in the modified state in another cache, that cache must block the read until the line is updated back to main memory, similar to the MESI protocol. The difference between the two is that the shared state is split into the shared and exclusive states for MESI. This reduces the number of write-invalidate operations on the bus.
- 17.6 If the L1 cache uses a write-through policy, as is done on the S/390 described in Section 17.2, then the L1 cache does not need to know the M state. If the L1 cache uses a write-back policy, then a full MESI protocol is needed between L1 and L2.

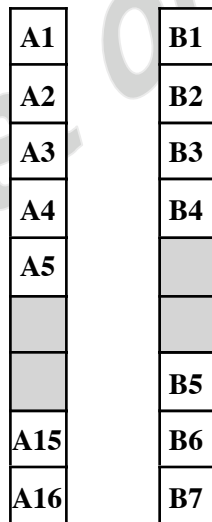
17.7 If only the L1 cache is used, then 89% of the accesses are to L1 and the remaining 11% of the accesses are to main memory. Therefore, the average penalty is $(1 \times 0.89) + (32 \times 0.11) = 4.41$. If both L1 and L2 are present, the average penalty is $(1 \times 0.89) + (5 \times 0.05) + (32 \times 0.06) = 3.06$. This normalizes to $3.06/4.41 = 0.69$. Thus, with the addition of the L2 cache, the average penalty is reduced to 69% of that with only one cache. If all three caches are present, the average penalty is $(1 \times 0.89) + (5 \times 0.05) + (14 \times 0.03) + (32 \times 0.03) = 2.52$, and normalized average penalty is $2.52/4.41 = 0.57$. The reduction of the average penalty from 0.69 to 0.57 would seem to justify the inclusion of the L3 cache.

17.8 a. $t_a = f_i[H_i c + (1 - H_i)(b + c) + (1 - f_i)(H_d c) + (1 - H_d)((b + c)(1 - f_d) + (2b + c)f_d)]$
 b. $t'_a = t_a + (1 - f_i)f_{inv}i$ Source: [HWAN93]

- 17.9 a. chip multiprocessor
 b. interleaved multithreading superscalar
 c. blocked multithreading superscalar
 d. simultaneous multithreading

17.10 [UNGE03] refers to these as horizontal losses and vertical losses, respectively. With a horizontal loss, full parallelism is not achieved; that is, fewer instructions are dispatched than the hardware would allow. With a vertical loss, the dispatching mechanism is stalled because no new instructions can be accommodated due to latency issues.

17.11 a.



- b. The two pipelines are operating independently on two separate processors on the same chip. Therefore, the diagrams of Figure 17.25 and part (a) of this solution apply.
 c. We assume that the A thread requires a latency of two clock cycles before it is able to execute instruction A15, and we assume that the interleaving mechanism is able to use the same thread on two successive clock cycles if necessary.

A1	A2
B1	B2
A3	A4
B3	B4
A5	
B5	B6
B7	
A15	A16

instruction
issue
diagram

	CO	F0	EI	WO	CO	F0	EI	WO
A1					A2			
B1	A1				B2	A2		
A3	B1	A1			A4	B2	A2	
B3	A3	B1	A1	B4	A4	B2	A2	
A5	B3	A3	B1		B4	A4	B2	
B5	A5	B3	A3	B6		B4	A4	
B7	B5	A5	B3		B6		B4	
A15	B7	B5	A5	A16		B6		
	A15	B7	B5		A16		B6	
		A15	B7			A16		
			A15				A16	

pipeline execution diagram

d.

A1	A2
A3	A4
A5	
B1	B2
B3	B4
A15	A16
B5	B6
B7	

instruction
issue
diagram

	CO	F0	EI	WO	CO	F0	EI	WO
A1					A2			
A3	A1				A4	A2		
A5	A3	A1			A4	A2		
	A5	A3	A1			A4	A2	
B1		A5	A3	B2				A4
B3	B1		A5	B4	B2			
	B3	B1			B4	B2		
A15		B3	B1	A16		B4	B2	
B5	A15		B3	B6	A16		B4	
B7	B5	A15			B6	A16		
	B7	B5	A15			B6	A16	
		B7	B5				B6	
			B7					

pipeline execution diagram

e.

A1	A2	B1	B2
A3	A4	B3	B4
A5			
B5	B6	B7	
A15	A16		

instruction
issue
diagram

	CO	F0	EI	WO	CO	F0	EI	WO	CO	F0	EI	WO	CO	F0	EI	WO
A1					A2				B1				B2			
A3	A1				A4	A2			B3	B1			B4	B2		
A5	A3	A1			A4	A2			B3	B1			B4	B2		
	A5	A3	A1			A4	A2			B3	B1			B4	B2	
B5		A5	A3	B6			A4	B7			B3					B4
A15	B5		A5	A16	B6				B7							
	A15	B5			A16	B6				B7						
		A15	B5			A16	B6				B7					
			A15				A16									

pipeline execution diagram

- 17.12 a. Sequential execution time = 1664 processor cycles.
 b. SIMD execution time = 26 cycles.
 c. Speedup factor = 64. Source: [HWAN93]

17.13 To begin, we can distribute the outer loop without affecting the computation.

```

DO 20A I = 1, N
  B(I,1) = 0
20A CONTINUE
  DO 20B I = 1, N
    DO 10 J = 1, M
      A(I) = A(I) + B(I, J) * C(I, J)
    10 CONTINUE
  20B CONTINUE
    DO 20C I = 1, N
      D(I) = E(I) + A(I)
    20C CONTINUE
  
```

Using vectorized instructions:

```

B(I,1) = 0 (I = 1, N)
DO 20B I = 1, N
  A(I) = A(I) + B(I, J) * C(I, J) (J = 1, M)
20B CONTINUE
D(I) = E(I) + A(I) (I = 1, N)
  
```

- 17.14 a. One computer executes for a time T. Eight computers execute for a time T/4, which would take a time 2T on a single computer. Thus the total required time on a single computer is 3T. Effective speedup = 3. $\alpha = 0.75$.
 b. New speedup = 3.43

- 17.15 a. Sequential execution time = 1,051,628 cycles
b. Speedup = 16.28
c. Each computer is assigned 32 iterations balanced between the beginning and end of the I-loop.
d. The ideal speedup of 32 is achieved.

Source: [HWAN93]

- 17.16 a. The I loop requires N cycles, as does the J loop. With the L4 statement, the total is $2N + 1$.
b. The sectioned I loop can be done in L cycles. The sectioned J loop produces M partial sums in L cycles. Total = $2L + l(k + 1)$.
c. Sequential execution of the original program takes $2N = 2^{21}$ cycles. Parallel execution requires $2^{13} + 1608 = 9800$ cycles. This is a speedup factor of approximately 214 ($2^{21} / 9800$). Therefore, an efficiency of $214 / 256 = 83.6\%$ is achieved.

Please Do Not
Post on Web

CHAPTER 18 MULTICORE COMPUTERS

ANSWERS TO QUESTIONS

- 18.1 • **Pipelining:** Individual instructions are executed through a pipeline of stages so that while one instruction is executing in one stage of the pipeline, another instruction is executing in another stage of the pipeline.
- **Superscalar:** Multiple pipelines are constructed by replicating execution resources. This enables parallel execution of instructions in parallel pipelines, so long as hazards are avoided.
 - **Simultaneous multithreading (SMT):** Register banks are replicated so that multiple threads can share the use of pipeline resources.
- 18.2 In the case of pipelining, simple 3-stage pipelines were replaced by pipelines with 5 stages, and then many more stages, with some implementations having over a dozen stages. There is a practical limit to how far this trend can be taken, because with more stages, there is the need for more logic, more interconnections, and more control signals. With superscalar organization, performance increases can be achieved by increasing the number of parallel pipelines. Again, there are diminishing returns as the number of pipelines increases. More logic is required to manage hazards and to stage instruction resources. Eventually, a single thread of execution reaches the point where hazards and resource dependencies prevent the full use of the multiple pipelines available. This same point of diminishing returns is reached with SMT, as the complexity of managing multiple threads over a set of pipelines limits the number of threads and number of pipelines that can be effectively utilized.
- 18.3 Cache memory uses less power than logic .
- 18.4 • **Multi-threaded native applications:** Multi-threaded applications are characterized by having a small number of highly threaded processes. Examples of threaded applications include Lotus Domino or Siebel CRM (Customer Relationship Manager).
- **Multi-process applications:** Multi-process applications are characterized by the presence of many single-threaded processes. Examples of multi-process applications include the Oracle database, SAP, and PeopleSoft.
 - **Java applications:** Java applications embrace threading in a fundamental way. Not only does the Java language greatly facilitate multithreaded applications, but the Java Virtual Machine is a multi-threaded process that provides scheduling and memory management for Java applications. Java applications that can benefit directly from multicore resources include application servers such as Sun's Java Application Server, BEA's Weblogic, IBM's Websphere, and the open-source Tomcat application server. All applications that use a Java 2 Platform, Enterprise

Edition (J2EE platform) application server can immediately benefit from multicore technology.

• **Multi-instance applications:** Even if an individual application does not scale to take advantage of a large number of threads, it is still possible to gain from multicore architecture by running multiple instances of the application in parallel. If multiple application instances require some degree of isolation, virtualization technology (for the hardware of the operating system) can be used to provide each of them with its own separate and secure environment.

- 18.5 • The number of core processors on the chip
 • The number of levels of cache memory
 • The amount of cache memory that is shared

- 18.6 1. Constructive interference can reduce overall miss rates. That is, if a thread on one core accesses a main memory location, this brings the frame containing the referenced location into the shared cache. If a thread on another core soon thereafter accesses the same memory block, the memory locations will already be available in the shared on-chip cache.
 2. A related advantage is that data shared by multiple cores is not replicated at the shared cache level.
 3. With proper frame replacement algorithms, the amount of shared cache allocated to each core is dynamic, so that threads that have a less locality can employ more cache.
 4. Interprocessor communication is easy to implement, via shared memory locations.
 5. The use of a shared L2 cache confines the cache coherency problem to the L1 cache level, which may provide some additional performance advantage.

ANSWERS TO PROBLEMS

- 18.1 a. The speedup is due to two factors: the performance gain $perf(r)$ in each core and the Amdahl performance gain from using multiple cores. Thus:

$$Speedup = perf(r) \times \frac{1}{(1-f) + \frac{f}{k}} = perf(r) \times \frac{1}{(1-f) + \frac{f \times r}{n}} = \frac{1}{\frac{(1-f)}{perf(r)} + \frac{f \times r}{perf(r) \times n}}$$

- b, c. The conclusions are the same for both figures. The figures are from "Amdahl's Law in the Multicore Era," by Hill and Marty, *Computer*, July 2008. The article draws the following conclusions:

A value $r = 1$ says the chip has 16 base cores, while a value of $r = 16$ uses all resources for a single core. Lines assume different values for the parallel fraction ($f = 0.5, 0.9, \dots, 0.999$). The y-axis gives the symmetric multicore chip's speedup relative to its running on one core. The maximum speedup for $f = 0.9$, for example, is 6.7 using eight cores.

Similarly, the second figure illustrates how tradeoffs change when Moore's law allows $n = 256$ cores per chip. With $f = 0.975$, for example, the maximum speedup of 51.2 occurs with 36 cores of 7.1 core equivalents each.

Result 1. Amdahl's law applies to multicore chips because achieving the best speedups requires f_s that are near 1. Thus, finding parallelism is still critical.

Implication 1. Researchers should target increasing f through architectural support, compiler techniques, programming model improvements, and so on. This implication is the most obvious and important. Recall, however, that a system is cost-effective if speedup exceeds its costup.⁴ Multicore costup is the multicore system cost divided by the single-core system cost. Because this costup is often much less than n , speedups less than n can be cost-effective.

Result 2. Using more core equivalents per core, $r > 1$, can be optimal, even when performance grows by only r . For a given f , the maximum speedup can occur at one big core, n base cores, or with an intermediate number of midsized cores. Recall that for $n = 256$ and $f = 0.975$, the maximum speedup occurs using 7.1 core equivalents per core.

Implication 2. Researchers should seek methods of increasing core performance even at a high cost.

Result 3. Moving to denser chips increases the likelihood that cores will be nonminimal. Even at $f = 0.99$, minimal base cores are optimal at chip size $n = 16$, but more powerful cores help at $n = 256$.

Implication 3. As Moore's law leads to larger multicore chips, researchers should look for ways to design more powerful cores.

CHAPTER 19 NUMBER SYSTEMS

ANSWERS TO PROBLEMS

- 19.1 a. 12 b. 3 c. 28 d. 60 e. 42
- 19.2 a. 28.375 b. 51.59375 c. 682.5
- 19.3 a. 1000000 b. 1100100 c. 1101111 d. 10010001 e. 11111111
- 19.4 a. 100010.11 b. 11001.01 c. 11011.0011
- 19.5 A BAD ADOBE FACADE FADED (Source: [KNUT98])
- 19.6 a. 12 b. 159 c. 3410 d. 1662 e. 43981
- 19.7 a. 15.25 b. 211.875 c. 4369.0625 d. 2184.5 e. 3770.75
- 19.8 a. 10 b. 50 c. A00 d. BB8 e. F424
- 19.9 a. CC.2 b. FF.E c. 277.4 d. 2710.01
- 19.10 a. 1110 b. 11100 c. 101001100100 d. 11111.11 e. 1000111001.01
- 19.11 a. 9.F b. 35.64 c. A7.EC
- 19.12 $1/2^k = 5^k/10^k$
- 19.13 a. 1, 2, 3, 4, 5, 6, 7, 10, 11, 12, 13, 14, 15, 16, 17, 20, 21, 22, 23, 24
b. 1, 2, 3, 4, 5, 10, 11, 12, 13, 14, 15, 20, 21, 22, 23, 24, 25, 30, 31, 32
c. 1, 2, 3, 4, 10, 11, 12, 13, 14, 20, 21, 22, 23, 24, 30, 31, 32, 33, 34, 40
d. 1, 2, 10, 11, 12, 20, 21, 22, 100, 101, 102, 110, 111, 112, 120, 121, 122, 200, 201, 202
- 19.14 a. 134 b. 105 c. 363 d. 185
- 19.15 Given the representation of a number x in base n and base n^p , every p digits in the base n representation can be converted to a single base n^p digit. For example, the base 3 representation of 77_{10} is 212 and the base 9 representation is 85. Thus it is easy to convert between a base n representation and a base n^p representation without the intermediate step of converting to base 10. In other cases, the intermediate step facilitates conversion.

CHAPTER 20 DIGITAL LOGIC

ANSWERS TO PROBLEMS

20.1

A	B	C	a	b	c	d
0	0	0	1	1	0	0
0	0	1	0	0	0	0
0	1	0	0	0	0	0
0	1	1	0	0	0	1
1	0	0	0	1	0	1
1	0	1	0	0	1	1
1	1	0	0	0	1	0
1	1	1	1	1	0	0

20.2 Recall the commutative law: $AB = BA$; $A + B = B + A$

- a. $A\overline{B} + CDE + \overline{C}DE$
- b. $AB + AC$
- c. $(LMN)(AB)(CDE)$
- d. $F(K + R) + SV + W\overline{X}$

20.3 a. $F = \overline{V} \cdot \overline{A} \cdot \overline{L}$. This is just a generalization of DeMorgan's Theorem, and is easily proved.

b. $F = \overline{ABCD}$. Again, a generalization of DeMorgan's Theorem.

20.4 a. $A = ST + VW$

b. $A = TUV + Y$

c. $A = F$

d. $A = ST$

e. $A = D + \overline{E}$

f. $A = YZ(W + X + YZ) = YZ$

g. $A = C$

20.5 $A \text{ XOR } B = A\overline{B} + \overline{A}B$

20.6 $ABC = \text{NOR}(\overline{A}, \overline{B}, \overline{C})$

20.7 $Y = \text{NAND}(A, B, C, D) = \overline{ABCD}$

20.8 a.

X ₁	X ₂	X ₃	X ₄	Z ₁	Z ₂	Z ₃	Z ₄	Z ₅	Z ₆	Z ₇
0	0	0	0	1	1	1	0	1	1	1
0	0	0	1	0	0	1	0	0	1	0
0	0	1	0	1	0	1	1	1	0	1
0	0	1	1	1	0	1	1	0	1	1
0	1	0	0	0	1	1	1	0	1	0
0	1	0	1	1	1	0	1	0	1	1
0	1	1	0	0	1	0	1	1	1	1
0	1	1	1	1	0	1	0	0	1	0
1	0	0	0	1	1	1	1	1	1	1
1	0	0	1	1	1	1	1	0	1	0
1	0	1	0	0	0	0	0	0	0	0
1	0	1	1	0	0	0	0	0	0	0
1	1	0	0	0	0	0	0	0	0	0
1	1	0	1	0	0	0	0	0	0	0
1	1	1	0	0	0	0	0	0	0	0
1	1	1	1	0	0	0	0	0	0	0

b. All of the terms have the form illustrated as follows:

$$Z_5 = \overline{X_1 X_2 X_3 X_4} + \overline{X_1 X_2} X_3 \overline{X_4} + \overline{X_1} X_2 X_3 \overline{X_4} + \overline{X_1} X_2 X_3 X_4$$

c. Whereas the SOP form lists all combinations that produce an output of 1, the POS lists all combinations that produce an output of 0.

For example,

$$\begin{aligned} Z_3 &= \overline{(\overline{X_1} X_2 \overline{X_3} X_4)} \overline{(\overline{X_1} X_2 X_3 \overline{X_4})} \\ &= (X_1 \overline{X_2} X_3 \overline{X_4}) (X_1 \overline{X_2} \overline{X_3} X_4) \end{aligned}$$

20.9 Label the 8 inputs I₀, ..., I₇ and the select lines S₀, S₁, S₂.

$$\begin{aligned} \overline{S_1} F &= I_0 + I_1 \overline{S_0 S_1 S_2} + I_2 \overline{S_0} S_1 \overline{S_2} + I_3 \overline{S_0} S_1 S_2 \\ &+ I_4 S_0 \overline{S_1 S_2} + I_5 S_0 \overline{S_1} S_2 + I_6 S_0 \overline{S_1} S_2 + I_7 S_0 S_1 S_2 \end{aligned}$$

20.10 Add a data input line and connect it to the input side of each AND gate.

20.11 Define the input leads as B_2, B_1, B_0 and the output leads as G_2, G_1, G_0 . Then

$$G_2 = B_2$$

$$G_1 = B_2\overline{B_1} + \overline{B_2}B_1$$

$$G_0 = B_1\overline{B_0} + \overline{B_1}B_0$$

20.12 The Input is $A_4A_3A_2A_1A_0$. Use $A_2A_1A_0$ as the input to each of the 3×8 decoders. There are a total of 32 outputs from these four 3×8 decoders. Use A_4A_3 as input to a 2×4 decoder and have the four outputs go to the enable leads of the four 3×8 decoders. The result is that one and only one of the 32 outputs will have a value of 1.

20.13 $SUM = A \oplus B \oplus C$
 $CARRY = AB \oplus AC \oplus BC$

20.14 a. The carry to the second stage is available after 20 ns; the carry to the third stage is available 20 ns after that, and so on. When the carry reaches the 32nd stage, another 30 ns are needed to produce the final sum. Thus

$$T = 31 \times 20 + 30 = 650 \text{ ns}$$

b. Each 8-bit adder produces a sum in 30 ns and a carry in 20 ns. Therefore,

$$T = 3 \times 20 + 30 = 90 \text{ ns}$$

20.15 a.

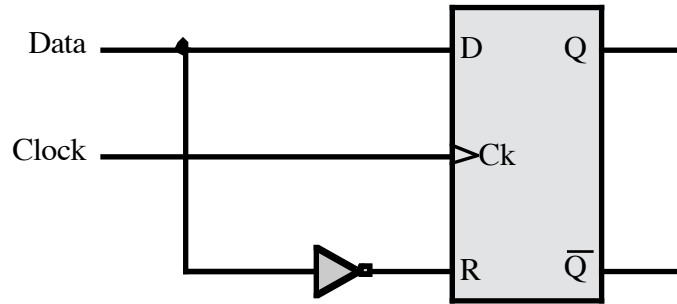
Characteristic table		
Current input SR	Current state Q_n	Next state Q_{n+1}
00	0	—
00	1	—
01	0	1
01	1	1
10	0	0
10	1	0
11	0	0
11	1	1

Simplified characteristic table		
S	R	Q_{n+1}
0	0	—
0	1	1
1	0	0
1	1	Q_n

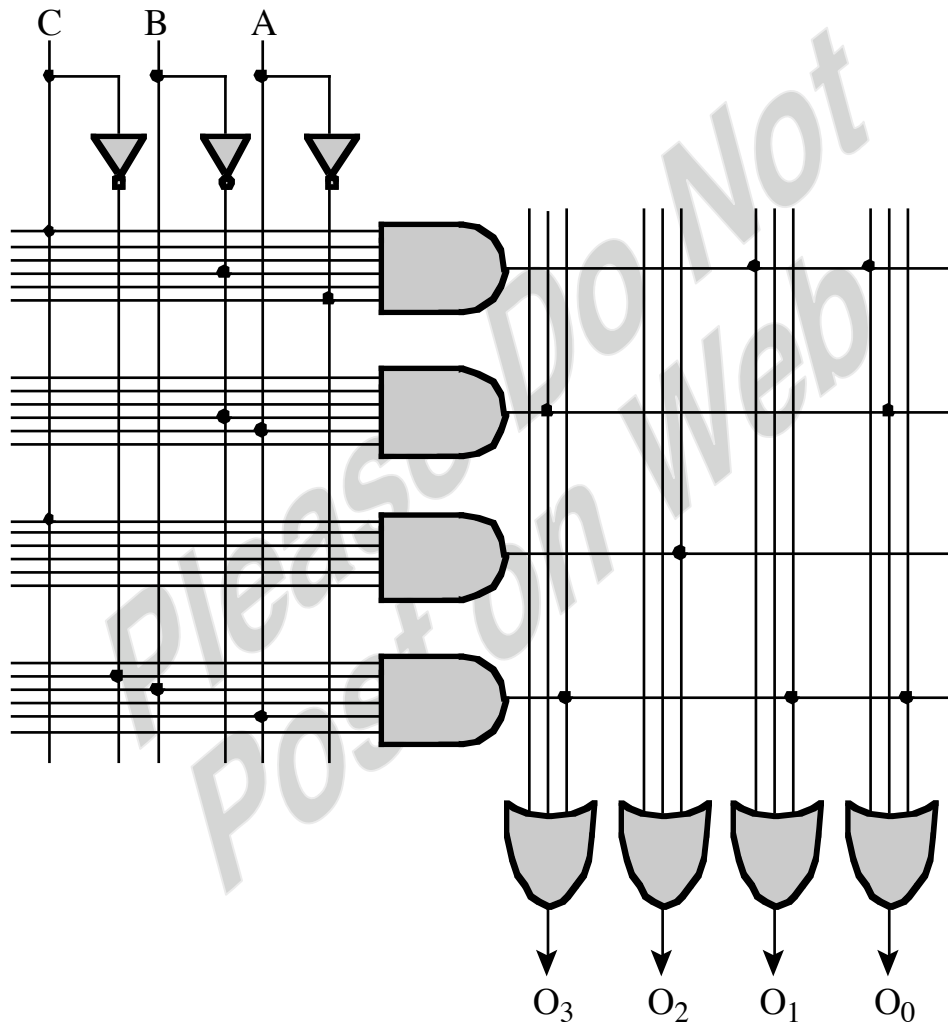
b.

t	0	1	2	3	4	5	6	7	8	9
S	0	1	1	1	1	1	0	1	0	1
R	1	1	0	1	0	1	1	1	0	0
Q_n	0	0	1	1	1	1	0	0	—	1

20.16



20.17



- 20.18 a. Use a PLA with 12-bit addresses and 96 8-bit locations. Each of the 96 locations is set to an ASCII code, and a character is converted by simply using its original, 12-bit code as an address to the PLA. The content of that address is the required ASCII code.
- b. Yes. This would require a 4K×8 ROM where only 96 of the 4096 locations are actually used.

CHAPTER 21 THE IA-64 ARCHITECTURE

ANSWERS TO QUESTIONS

- 21.1 **I-unit:** For integer arithmetic, shift-and-add, logical, compare, and integer multimedia instructions. **M-unit:** Load and store between register and memory plus some integer ALU operations. **B-unit:** Branch instructions. **F-unit:** Floating-point instructions.
- 21.2 The template field contains information that indicates which instructions can be executed in parallel.
- 21.3 A stop indicates to the hardware that one or more instructions before the stop may have certain kinds of resource dependencies with one or more instructions after the stop.
- 21.4 **Predication** is a technique whereby the compiler determines which instructions may execute in parallel. With **predicated execution**, every IA-64 instruction includes a reference to a 1-bit predicate register, and only executes if the predicate value is 1 (true).
- 21.5 Predicates enable the processor to speculatively execute both branches of an if statement and only commit after the condition is determined.
- 21.6 With control speculation, a load instruction is moved earlier in the program and its original position replaced by a check instruction. The early load saves cycle time; if the load produces an exception, the exception is not activated until the check instruction determines if the load should have been taken.
- 21.7 Associated with each register is a NaT bit used to track deferred speculative exceptions. If a ld.s detects an exception, it sets the NaT bit associated with the target register. If the corresponding chk.s instruction is executed, and if the NaT bit is set, the chk.s instruction branches to an exception-handling routine.
- 21.8 With **data speculation**, a load is moved before a store instruction that might alter the memory location that is the source of the load. A subsequent check is made to assure that the load receives the proper memory value.
- 21.9 **Software pipelining** is a technique in which instructions from multiple iterations of a loop are enabled to execute in parallel. Parallelism is achieved by grouping together instructions from different iterations. Hardware pipelining refers to the use of a physical pipeline as part of the hardware

21.10 Rotating registers are used for software pipelining. During each iteration of a software-pipeline loop, register references within these ranges are automatically incremented. **Stacked registers** implement a stack.

ANSWERS TO PROBLEMS

21.1 Eight. The operands and result require 7 bits each, and the controlling predicate 6. A major opcode is specified by 4 bits; 38 bits of the 41-bit syllable are committed, leaving 3 bits to specify a suboperation. Source: [MARK00]

21.2 Table 21.3 reveals that any opcode can be interpreted as referring to one of 6 different execution units (M, B, I, L, F, X). So, the potential maximum number of different major opcodes is $2^4 \times 6 = 96$.

21.3 16

21.4 a. Six cycles. The single floating-point unit is the limiting factor.
b. Three cycles.

21.5 The pairing must not exceed a sum of two M or two I slots with the two bundles. For example, two bundles, both with template 00, or two bundles with templates 00 and 01 could not be paired because they require 4 I-units. Source: [EVAN03]

21.6 Yes. On IA-64s with fewer floating-point units, more cycles are needed to dispatch each group. On an IA-64 with two FPUs, each group requires two cycles to dispatch. A machine with three FPUs will dispatch the first three floating-point instructions within a group in one cycle, and the remaining instruction in the next. Source: [MARK00]

21.7

p1	comparison	p2	p3
not present	0	0	1
not present	1	1	0
0	0	0	0
0	1	0	0
1	0	0	1
1	1	1	0

21.8 a. (3) and (4); (5) and (6)
b. The IA-64 template field gives a great deal of flexibility, so that many combinations are possible. One obvious combination would be (1), (2), and (3) in the first instruction; (4), (5), and (6) in the second instruction; and (7) in the third instruction.

21.9 Branching to label `error` should occur if and only if at least one of the 8 bytes in register `r16` contains a non-digit ASCII code. So the comments are not inaccurate but are not as helpful as they could be. Source: [EVAN03]

21.10 a.

```

mov    r1, 0
mov    r2, 0
ld     r3, addr(A)
L1: ld  r4, mem(r3+r2)
      bge r4, 50, L2
      add r5, r5, 1
      jump L3
L2: add r6, r6, 1
L3: add r1, r1, 1
      add r2, r2, 4
      blt r1, 100, L1

```

b.

```

mov    r1, 0
mov    r2, 0
ld     r3, addr(A)
L1: ld  r4, mem(r3+r2)
      cmp.ge p1, p2 = r4. 50
      (p2) add r5 = 1, r5
      (p1) add r6 = 1, r6
      add r1 = 1, r1
      add r2 = 4, r2
      blt r1, 100, L1

```

21.11 a.

```

fmpy  t = p, q    // floating-point multiply
ldf.a c = [rj];;  // advanced floating point load
                        // load value stored in location specified by address
                        // in register rj; place value in floating-point register c
                        // assume rj points to a[j]
stf   [ri] = t;;  // store value in floating-point register t in location
                        // specified by address in register ri
                        // assume ri points to a[i]
ldf.c c = [rj];;  // executes only if ri = rj

```

If the advanced load succeeded, the ldf.c will complete in one cycle, and c can be used in the following instruction. The effective latency of the ldf.a instruction has been reduced by the latency of the floating-point multiplication. The stf and ldf.c cannot be in the same instruction group, because there may be a read-after-write dependency.

b.

```

          fmpy      t = p, q
          cmp.ne    p8, p9 = ri, rj;;
(p8)     ldf       c = [rj];;      // p8 ⇒ no conflict
          stf      [ri] = t;;      // if ri = rj, then c = t
(p9)     mov      c = t;;

```

c. In the predicated version, the load begins one cycle later than with the advanced load. Also, two predicated registers are required. Source: [MARK00]

21.12 a. The number of output registers is

$$SOO = SOF - SOL = 48 - 16 = 32$$

b. Because the stacked register group starts at r32, the local register and output register groups consist of:

Local register group: r32 through r47

Output register group: r48 through r63

Source: [TRIE01]

Please Do Not
Post on Web

APPENDIX B ASSEMBLY LANGUAGE AND RELATED TOPICS

ANSWERS TO QUESTIONS

- B.1**
1. It clarifies the execution of instructions.
 2. It shows how data is represented in memory.
 3. It shows how a program interacts with the operating system, processor, and the I/O system.
 4. It clarifies how a program accesses external devices.
 5. Understanding assembly language programmers makes students better high-level language (HLL) programmers, by giving them a better idea of the target language that the HLL must be translated into.
- B.2** Assembly language is a programming language that is one step away from machine language. Assembly language includes symbolic names for locations. It also includes directives and macros.
- B.3**
1. Development time. Writing code in assembly language takes much longer time than in a high level language.
 2. Reliability and security. It is easy to make errors in assembly code. The assembler is not checking if the calling conventions and register save conventions are obeyed. Nobody is checking for you if the number of PUSH and POP instructions is the same in all possible branches and paths. There are so many possibilities for hidden errors in assembly code that it affects the reliability and security of the project unless you have a very systematic approach to testing and verifying.
 3. Debugging and verifying. Assembly code is more difficult to debug and verify because there are more possibilities for errors than in high-level code.
 4. Maintainability. Assembly code is more difficult to modify and maintain because the language allows unstructured spaghetti code and all kinds of dirty tricks that are difficult for others to understand. Thorough documentation and a consistent programming style are needed.
 5. Portability. Assembly code is very platform-specific. Porting to a different platform is difficult.
 6. System code can use intrinsic functions instead of assembly. The best modern C++ compilers have intrinsic functions for accessing system control registers and other system instructions. Assembly code is no longer needed for device drivers and other system code when intrinsic functions are available.
 7. Application code can use intrinsic functions or vector classes instead of assembly. The best modern C++ compilers have intrinsic functions for vector

operations and other special instructions that previously required assembly programming.

8. Compilers have been improved a lot in recent years. The best compilers are now quite good. It takes a lot of expertise and experience to optimize better than the best C++ compiler.

- B.4**
1. Debugging and verifying. Looking at compiler-generated assembly code or the disassembly window in a debugger is useful for finding errors and for checking how well a compiler optimizes a particular piece of code.
 2. Making compilers. Understanding assembly coding techniques is necessary for making compilers, debuggers and other development tools.
 3. Embedded systems. Small embedded systems have fewer resources than PCs and mainframes. Assembly programming can be necessary for optimizing code for speed or size in small embedded systems.
 4. Hardware drivers and system code. Accessing hardware, system control registers etc. may sometimes be difficult or impossible with high level code.
 5. Accessing instructions that are not accessible from high level language. Certain assembly instructions have no high-level language equivalent.
 6. Self-modifying code. Self-modifying code is generally not profitable because it interferes with efficient code caching. It may, however, be advantageous for example to include a small compiler in math programs where a user-defined function has to be calculated many times.
 7. Optimizing code for size. Storage space and memory is so cheap nowadays that it is not worth the effort to use assembly language for reducing code size. However, cache size is still such a critical resource that it may be useful in some cases to optimize a critical piece of code for size in order to make it fit into the code cache.
 8. Optimizing code for speed. Modern C++ compilers generally optimize code quite well in most cases. But there are still many cases where compilers perform poorly and where dramatic increases in speed can be achieved by careful assembly programming.
 9. Function libraries. The total benefit of optimizing code is higher in function libraries that are used by many programmers.
 10. Making function libraries compatible with multiple compilers and operating systems. It is possible to make library functions with multiple entries that are compatible with different compilers and different operating systems. This requires assembly programming.

B.5 label, mnemonic, operand, and comment

B.6 **Instructions:** symbolic representations of machine language instructions
Directives: instruction to the assembler to perform specified actions doing the assembly process

Macro definitions: A macro definition is a section of code that the programmer writes once, and then can use many times. When the assembler encounters a macro call, it replaces the macro call with the macro itself.

Comment: A statement consisting entirely of a comment.

B.7 A two-pass assembler takes a first pass through the assembly program to construct a symbol table that contains a list of all labels and their associated location counter values. It then takes a second pass to translate the assembly program into object

code. A one-pass assembler combines both operations in a single pass, and resolves forward references on the fly.

ANSWERS TO PROBLEMS

- B.1**
- When it executes, this instruction copies itself to the next location and the program counter is incremented, thus pointing to the instruction just copied. Thus, Imp marches through the entire memory, placing a copy of itself in each location, and wiping out any rival program.
 - Dwarf "bombs" the core at regularly spaced locations with DATAs, while making sure it won't hit itself. The ADD instruction adds the immediate value 4 to the contents of the location 3 locations down, which is the DATA location. So the DATA location now has the value 4. Next, the COPY instruction copies the location 2 locations down, which is the DATA location, to the address contained in that location, which is a 4, so the COPY goes to the relative location 4 words down from the DATA location. Then we jump back to the ADD instruction, which adds 4 to the DATA location, bringing the value to 8. This process continues, so that data is written out in every fourth location. When memory wraps around, the data writes will miss the first three lines of Dwarf, so that Dwarf can continue indefinitely. We assume that the memory size is divisible by 4.

c. Loop ADD #4, MemoryPtr
 COPY 2, @MemoryPtr
 JUMP Loop
MemoryPtr DATA 0

- B.2** The barrage of data laid down by Dwarf moves through the memory array faster than Imp moves, but it does not necessarily follow that Dwarf has the advantage. The question is: Will Dwarf hit Imp even if the barrage does catch up? If Imp reaches Dwarf first, Imp will in all probability plow right through Dwarf's code. When Dwarf's JUMP -2 instruction transfers execution back two steps, the instruction found there will be Imp's COPY 0, 1. As a result Dwarf will be subverted and become a second Imp endlessly chasing the first one around the array. Under the rules of Core War the battle is a draw. (Note that this is the outcome to be expected "in all probability." Students are invited to analyze other possibilities and perhaps discover the bizarre result of one of them.)

B.3 Loop COPY #0, @MemoryPtr
 ADD #1, MemoryPtr
 JUMP Loop
MemoryPtr DATA 0

- B.4** This program (call it P) is intended to thwart Imp, by overwriting location Loop - 1, thus terminating the march of Imp from lower memory levels. However, timing is critical. Suppose Imp is currently located at Loop - 2 and P has just executed the JUMP instruction. If it is now P's turn to execute, we have the following sequence:
- P executes the COPY instruction, placing a 0 in Loop - 1.
 - Imp copies itself to location Loop - 1.
 - P executes the JUMP instruction, set its local program counter to Loop.
 - Imp copies itself to location Loop.

5. P executes the Imp instruction at Loop. The P program has been wiped out.

On the other hand, suppose that Imp is currently located at Loop - 2; P has just executed the JUMP instruction; and it is now Imp's turn to execute. We have the following sequence:

1. Imp copies itself to location Loop - 1.
2. P executes the COPY instruction, placing a 0 in Loop - 1.
3. Imp attempts to execute at location Loop - 1, but there is only a null instruction there. Imp has been wiped out.

- B.5** a. CF = 0
b. CF = 1

B.6 If there is no overflow, then the difference will have the correct value and must be non-negative. Thus, SF = OF = 0. However, if there is an overflow, the difference will not have the correct value (and in fact will be negative). Thus, SF = OF = 1.

B.7 jmp next

```
B.8 avg:  resd 1      ; integer average
      i1:  dd  20    ; first number in the average
      i2:  dd  13    ; second number in the average
      i3:  dd  82    ; first number in the average
main:  mov  avg, i1
      add  avg, i2
      add  avg, i3
      idiv avg, 3   ; get integer average
```

```
B.9      cmp  eax, 0    ; sets ZF if eax = 0
      je  thenblock ; If ZF set, branch to thenblock
      mov ebx, 2    ; ELSE part of IF statement
      jmp next     ; jump over THEN part of IF
thenblock: mov ebx, 1 ; THEN part of IF
next:
```

B.10 msglen is assigned the constant 12

```
B.11 V1:  resw 1      ; values must be assigned
      V2:  resw 1      ; before program starts
      V3:  resw 1
main:  mov  ax, V1     ; load V1 for testing
      cmp  ax, V2     ; if ax <= V2 then
      jbe  L1        ; jump to L1
      mov  ax, V2     ; else move V1 to ax
L1:   cmp  ax, V3     ; if ax <= V2 then
      jbe  L2        ; jump to L2
      mov  ax, V3     ; else move V1 to ax
L2:
```

B.12 The compare instruction subtracts the second argument from the first argument, but does not store the result; it only sets the status flags. The effect of this

instruction is to copy the zero flag to the carry flag. That is, the value of CF after the cmp instruction is equal to the value of ZF just before the instruction.

B.13 a. push ax
push bx
pop ax
pop bx
b. xor ax,bx
xor bx,ax
xor ax,bx

B.14 IF X=A AND Y=B THEN
 { do something }
ELSE
 { do something else }
END IF

B.15 a. The algorithm makes repeated use of the equation $\text{gcd}(a, b) = \text{gcd}(b, a \bmod b)$ and begins by assuming $a \geq b$. By definition, if both a and b are 0, then the gcd is 1. Also by definition $b = 0$, then $\text{gcd} = a$. The remainder of the C program implements the repeated application of the mod operator.

Please Do Not
Post on Web

```

b. gcd:  mov     ebx,eax
         mov     eax,edx
         test    ebx,ebx      ; bitwise AND to set CC bits
         jne    L1           ; jump if ebx not equal to 0
         test    edx,edx
         jne    L1
         mov     eax,1
         ret                          ; return value in eax
L1:      test    eax,eax
         jne    L2
         mov     eax,ebx
         ret
L2:      test    ebx,ebx
         je     L5           ; jump if ebx equal to 0
L3:      cmp     ebx,eax
         je     L5           ; jump if ebx = eax
         jae    L4           ; jump if ebx above/equal eax
         sub     eax,ebx
         jmp    L3
L4:      sub     ebx,eax
         jmp    L3
L5:      ret

b.      gcd:  neg     eax      ; take twos complement of eax
         je     L3           ; jump if eax equal to 0
L1:      neg     eax
         xchg   eax,edx      ; exchange contents of eax and edx
L2:      sub     eax,edx
         jg     L2           ; jump if eax greater than edx
         jne    L1           ; jump if eax not equal to edx
L3:      add     eax,edx
         jne    L4
         inc    eax
L4:      ret

```

- B.16 a.** The reason is that instructions are assembled in pass 2, where all the symbols are already in the symbol table; certain directives, however, are executed in pass 1, where future symbols have not been found yet. Thus pass 1 directives cannot use future symbols.
- b.** The simplest way is to add another pass. The directive 'A EQU B+1' can be handled in three passes. In the first pass, label A cannot be defined, since label B is not yet in the symbol table. However, later in the same pass, B is found and is stored in the symbol table. In the second pass label A can be defined and, in the third pass, the program can be assembled. This, of course, is not a general solution, since it is possible to nest future symbols very deep. Imagine something like:

```
A    EQU B
      -
B    EQU C
      -
C    EQU D
      -
      -
D    -
```

Such a program requires four passes just to collect all the symbol definitions, followed by another pass to assemble instructions. Generally one could design a percolative assembler that would perform as many passes as necessary, until no more future symbols remain. This may be a nice theoretical concept but its practical value is nil. Cases such as 'A EQU B', where B is a future symbol, are not important and can be considered invalid.

- B.17** It is executed in pass 1 since it affects the symbol table. It is executed by evaluating and comparing the expressions in the operand field.