



Cabling Schema

Cisco Webex Room 70 Dual G2, Room 70 Single G2

Cisco Webex Room 55 Dual

Cisco Webex Room 70 Dual, Room 70 Single

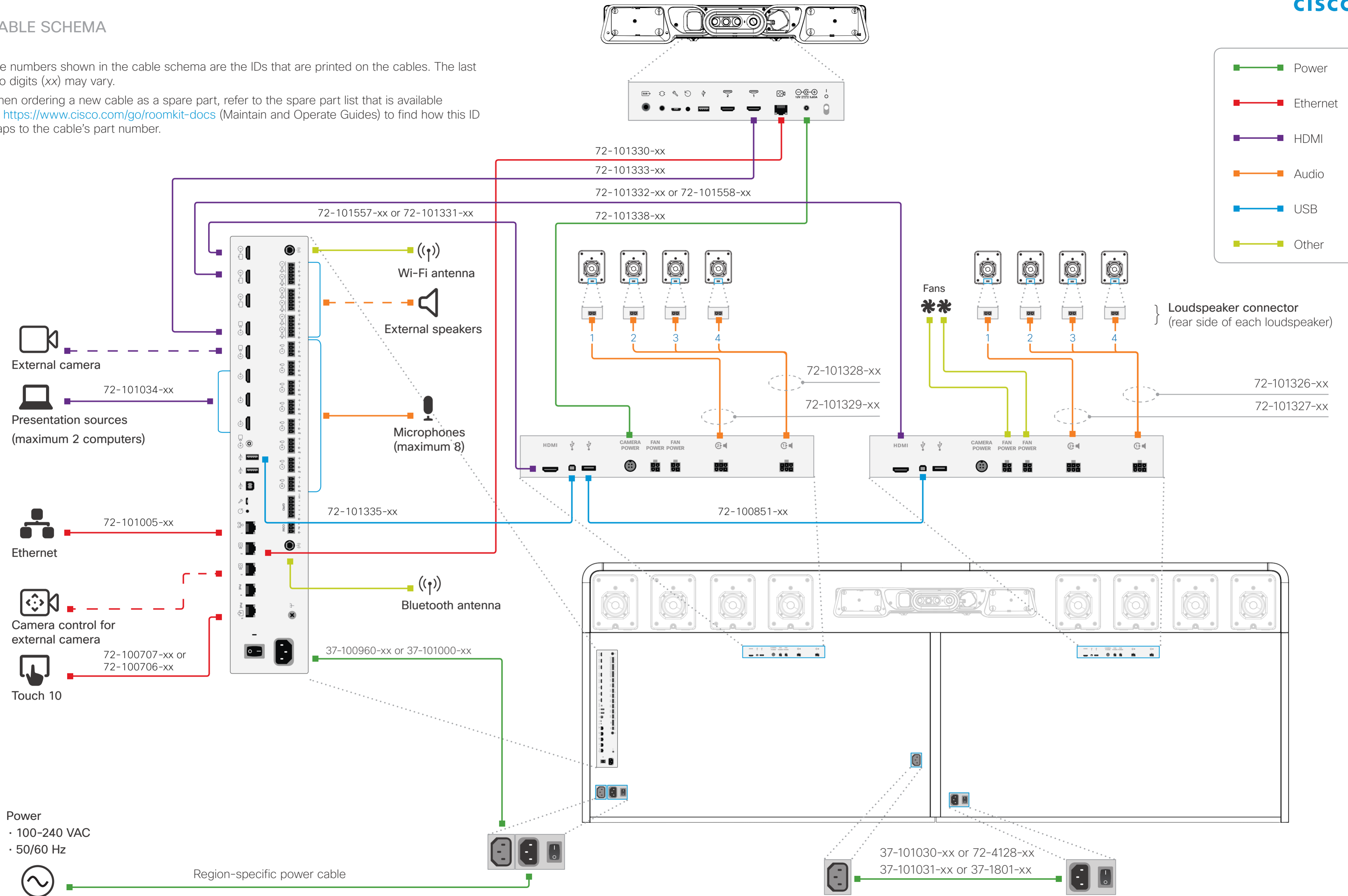
Cisco Webex Room 70 Dual G2



CABLE SCHEMA

The numbers shown in the cable schema are the IDs that are printed on the cables. The last two digits (xx) may vary.

When ordering a new cable as a spare part, refer to the spare part list that is available on <https://www.cisco.com/go/roomkit-docs> (Maintain and Operate Guides) to find how this ID maps to the cable's part number.



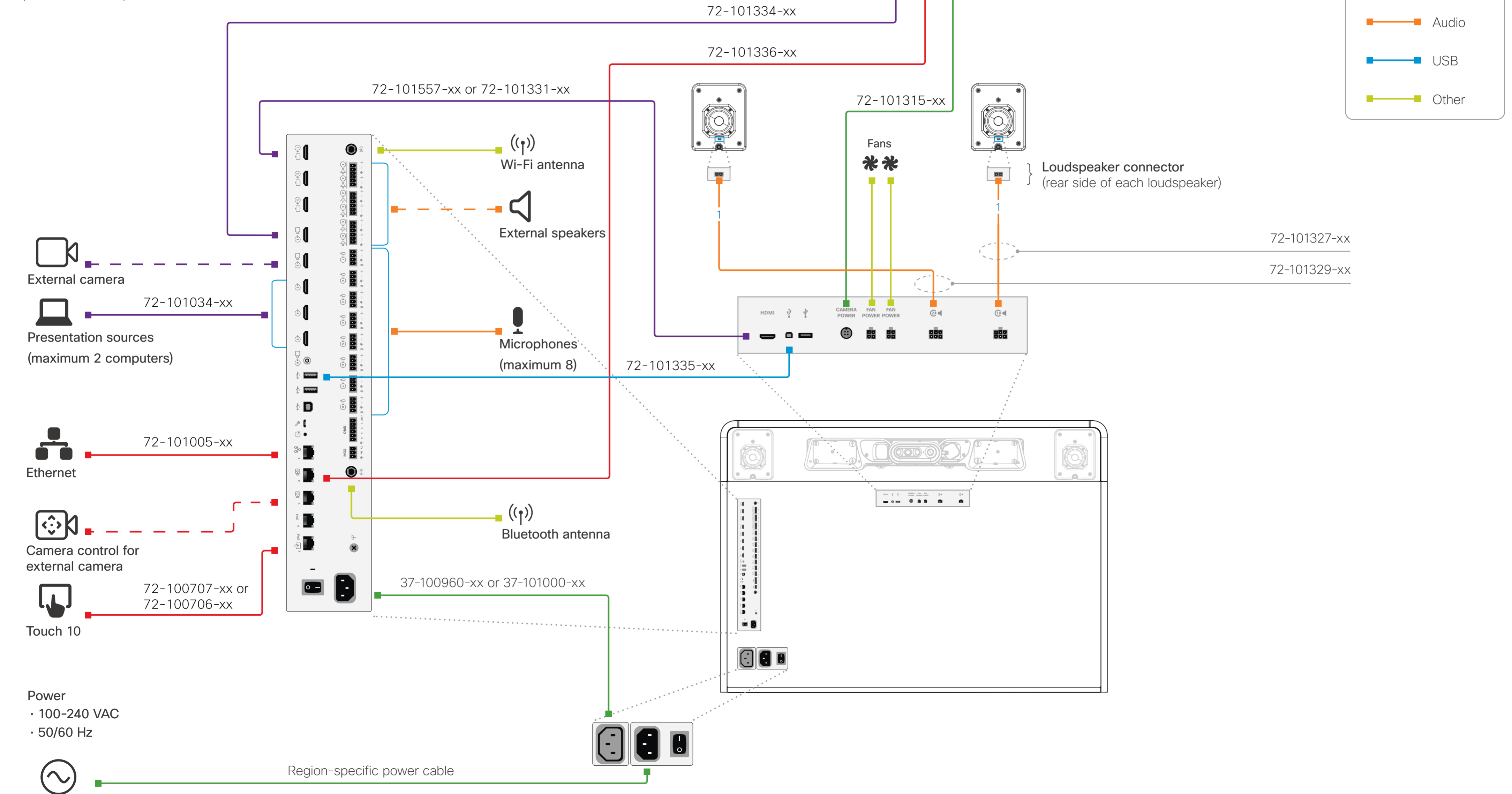
Cisco Webex Room 70 Single G2



CABLE SCHEMA

The numbers shown in the cable schema are the IDs that are printed on the cables. The last two digits (xx) may vary.

When ordering a new cable as a spare part, refer to the spare part list that is available on <https://www.cisco.com/go/roomkit-docs> (Maintain and Operate Guides) to find how this ID maps to the cable's part number.



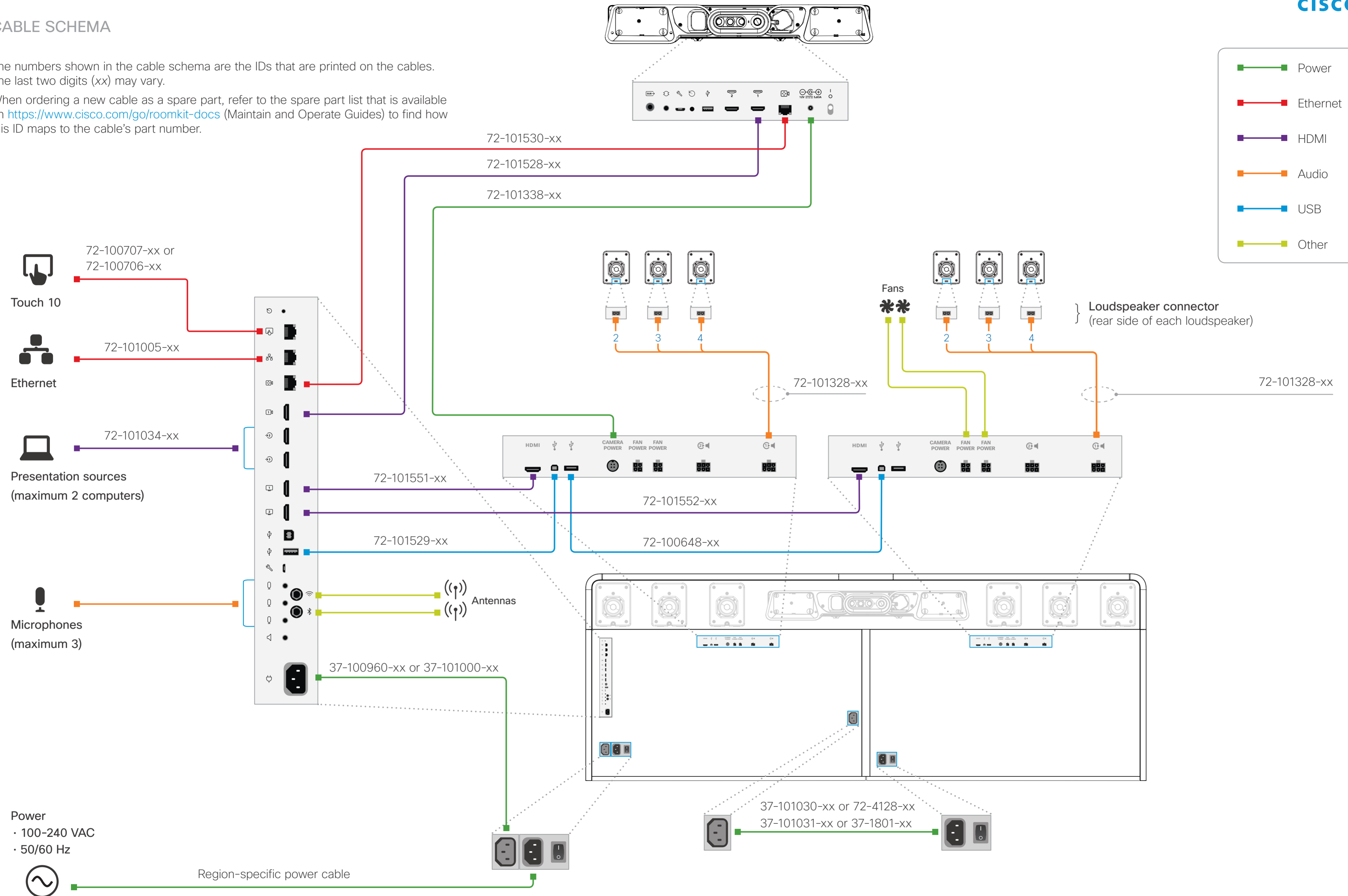
Cisco Webex Room 55 Dual



CABLE SCHEMA

The numbers shown in the cable schema are the IDs that are printed on the cables. The last two digits (xx) may vary.

When ordering a new cable as a spare part, refer to the spare part list that is available on <https://www.cisco.com/go/roomkit-docs> (Maintain and Operate Guides) to find how this ID maps to the cable's part number.



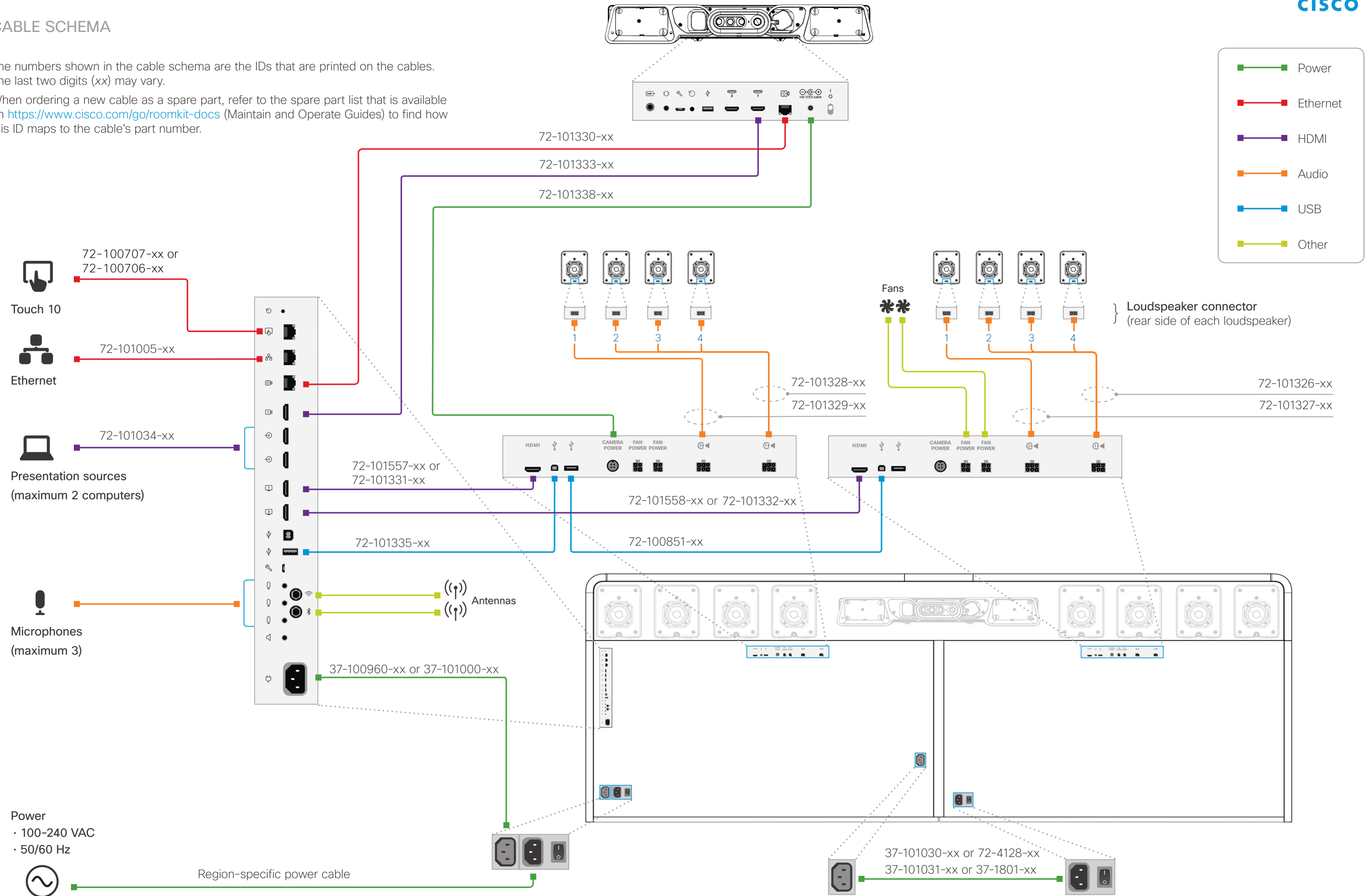
Cisco Webex Room 70 Dual



CABLE SCHEMA

The numbers shown in the cable schema are the IDs that are printed on the cables. The last two digits (xx) may vary.

When ordering a new cable as a spare part, refer to the spare part list that is available on <https://www.cisco.com/go/roomkit-docs> (Maintain and Operate Guides) to find how this ID maps to the cable's part number.



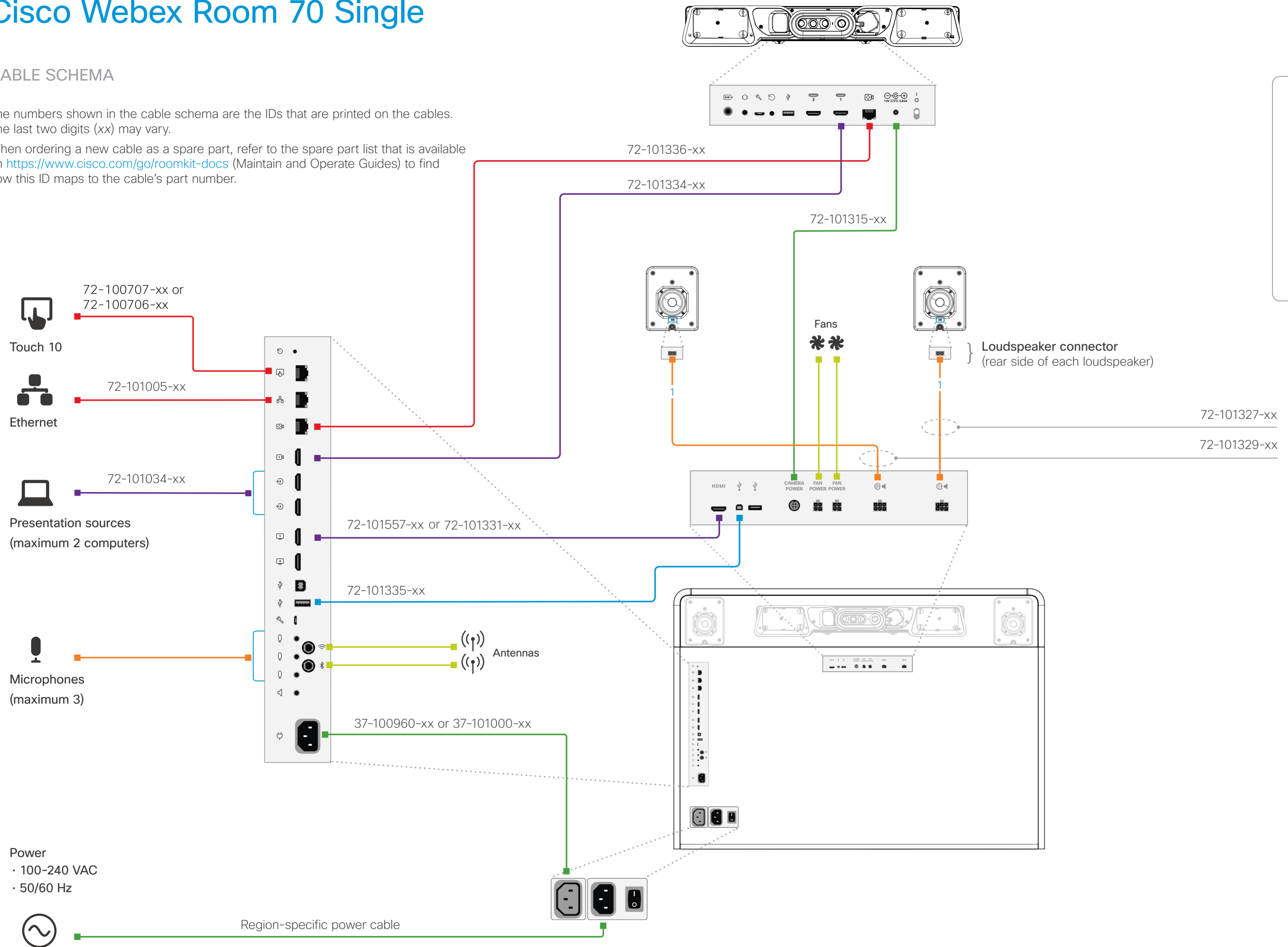
Cisco Webex Room 70 Single



CABLE SCHEMA

The numbers shown in the cable schema are the IDs that are printed on the cables. The last two digits (xx) may vary.

When ordering a new cable as a spare part, refer to the spare part list that is available on <https://www.cisco.com/go/roomkit-docs> (Maintain and Operate Guides) to find how this ID maps to the cable's part number.





Cisco Systems Inc.
Corporate Headquarters
170 West Tasman Dr.
San Jose, CA 95134
USA

<https://www.cisco.com/go/offices>

Cisco and the Cisco logo are trademarks or registered trademarks of Cisco and/or its affiliates in the U.S. and other countries. To view a list of Cisco trademarks, go to this URL: www.cisco.com/go/trademarks.
Third-party trademarks mentioned are the property of their respective owners. The use of the word partner does not imply a partnership relationship between Cisco and any other company. (1110R)