

MIRO 12,4 24VDC-2U output relay IN: 24 VDC - OUT: 250 VAC/DC / 6 A

24 V DC  
Screw terminals

## Image



Vicarious picture

## Approvals



## Switching capacity (EN 60947-5-1)

AC-12	6 A (24 V DC; 110 V AC; 230 V AC)
AC-15	3 A (24 V DC; 110 V AC; 230 V AC)
DC-13	1 A (24 V DC); 0.2 A (110 V AC); 0.1 A (230 V AC)

## Input

Input voltage	19.2...30 V DC
Mounting power	approx. 18 mA
LED display	LED (green)

## Output

Switching voltage	max. 250 V AC/DC
Switching current	max. 6 A (see table)
Min. load current	10 mA (12 V DC)
Breaking capacity (voltage dependent)	max. 1500 VA/120 W
Switching frequency	max. 10 Hz
Contact material	Ag Sn O <sub>2</sub>
Energize/release/contact bounce time	10/15/1.5 ms

## General data

Mech./ elect. life	2 × 10 <sup>7</sup> /load dependent (for inductive loads we recommend interference suppression components connected parallel to the coil)
Test isolation voltage	4 kV; safe separation (EN 60947-1)
Temperature range	-20...+55 °C
Mounting method	DIN-rail mountable (EN 60715)
Dimensions H × W × D	90 x 12.4 x 65 mm

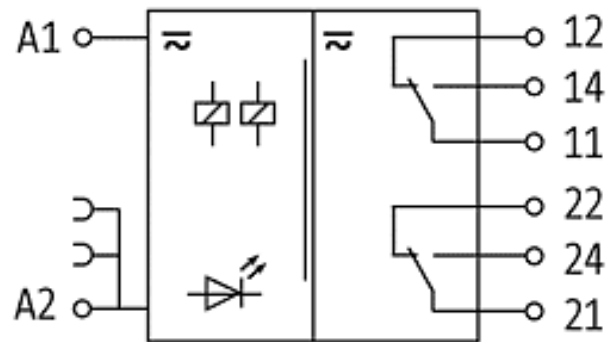
All data on this data sheet was compiled carefully.

Liability regarding correctness, completeness, and actuality is limited to gross negligence. Created: 12/12

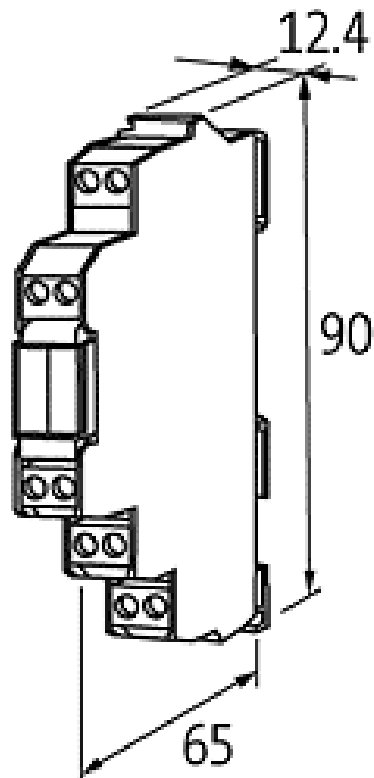
<b>Commercial data</b>	
Net weight	58
Weight unit	gram
Basic unit	pc.
Customs tariff number	85364900
Unit (piece)	1
Limited value	1
<b>Accessories</b>	<b>Art.-No.</b>
Wiring accessorie plug link	90961
Wiring accessorie 16 pole cross-section: 1 mm <sup>2</sup>	90977
Control systems Label plate Miro	90901

<b>Comments</b>
When the max. switching voltage/current is exceeded the gold plating is destroyed. The relay will then take on the properties of an output type.

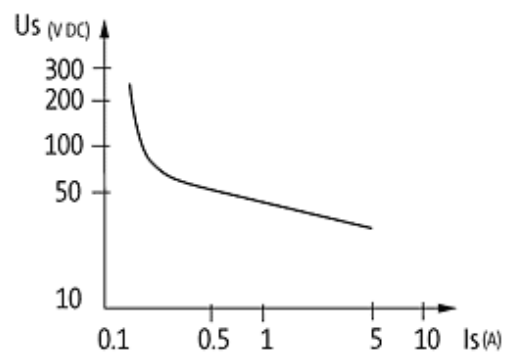
## Circuit diagram



## Dimension drawing



## Load limit curve



## De-rating curve

