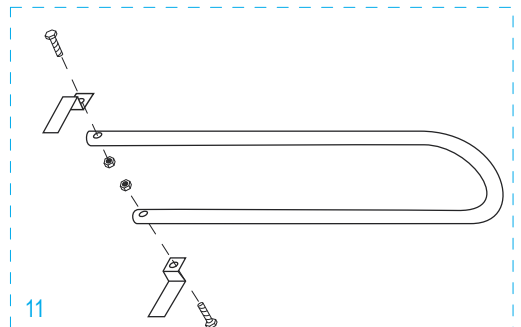
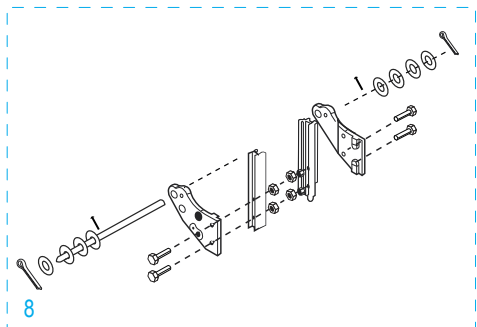
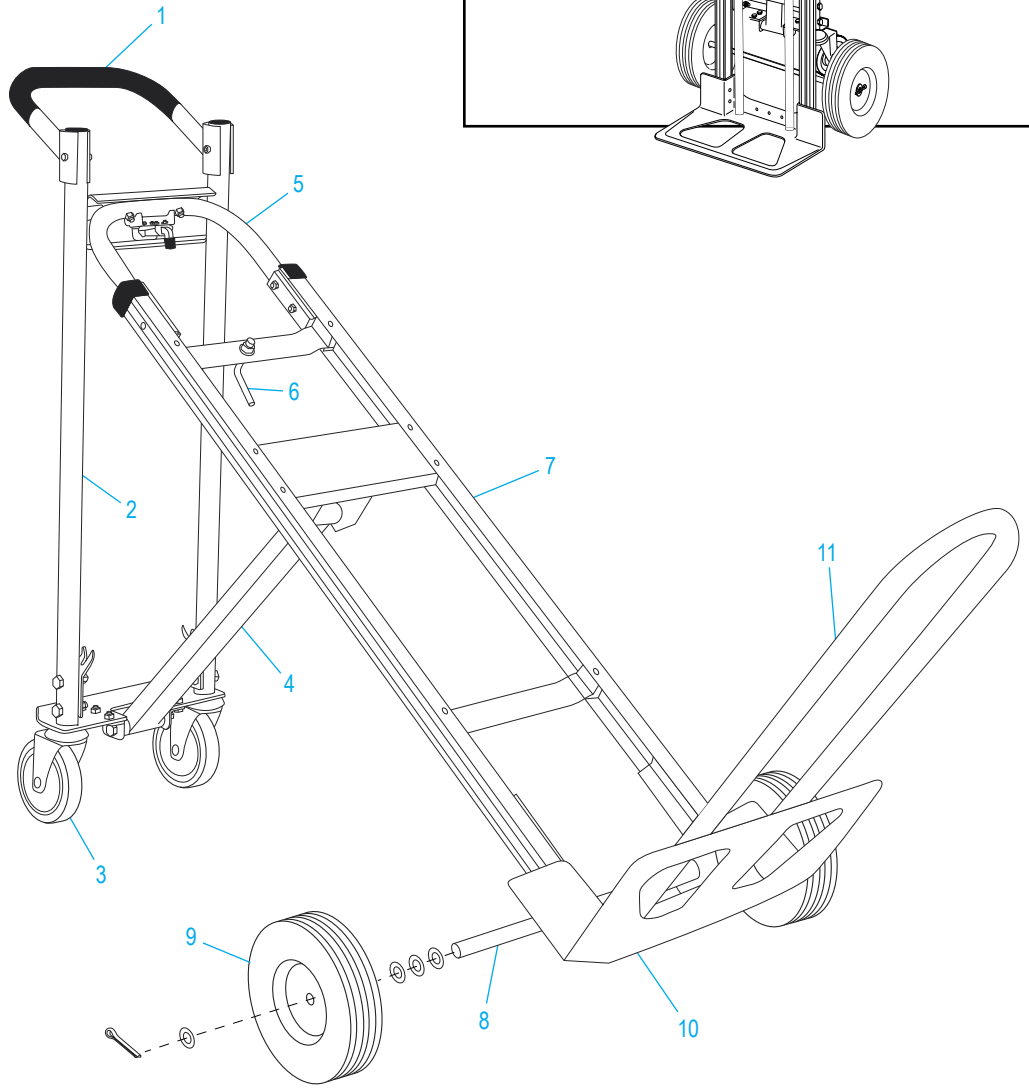
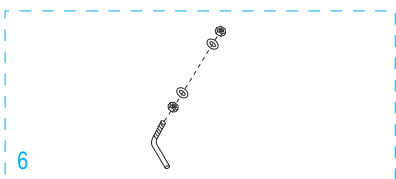
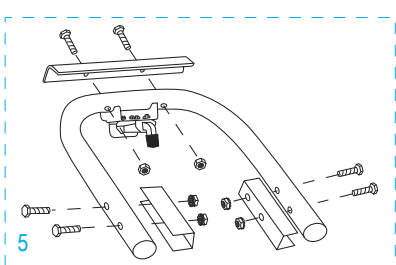
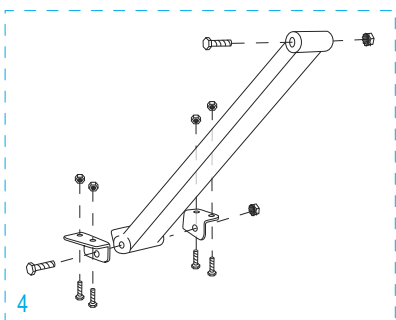
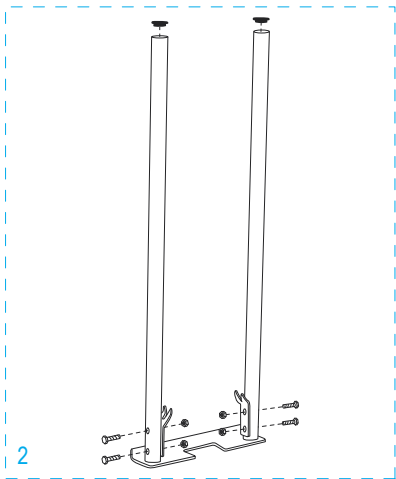
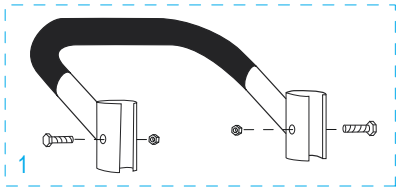
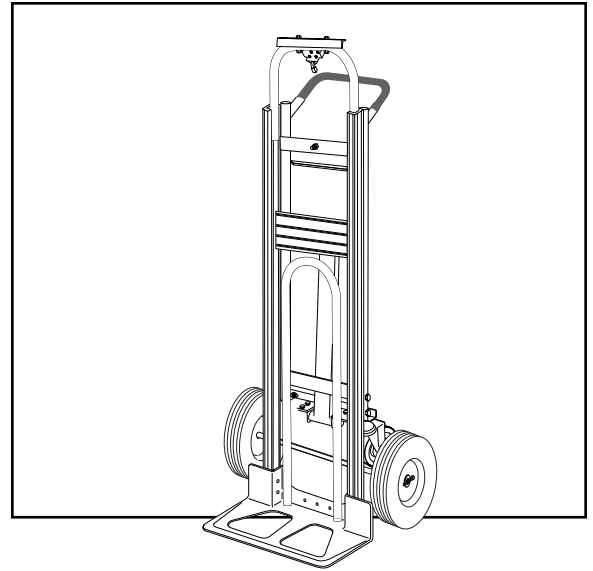


**ULINE** H-4124  
**3-IN-1 ALUMINUM  
HAND TRUCK**  
WITH SOLID RUBBER WHEELS

1-800-295-5510  
uline.com



**ULINE** H-4124  
**3-IN-1 ALUMINUM**  
**HAND TRUCK**  
**WITH SOLID RUBBER WHEELS**

1-800-295-5510  
 uline.com

#	DESCRIPTION	QTY.	ULINE PART NO.	MFG. PART NO.
1	<b>Handle Hardware Kit</b> Includes: • Handle (1) • Bolts (2) • Locknuts (2)	1	H-4344	H-4344
2	<b>Back Frame Hardware Kit</b> Includes: • Back Frame (1) • Plastic Caps (2) • Y Bracket Supports (2) • Bolts (4) • Locknuts (4)	1	H-4349	H-4349
3	Swivel Caster	2	H-4343	H-4343
4	<b>Support Bar Hardware Kit</b> Includes: • Support Bar (1) • Support Bar Bolts (2) • Support Bar Locknuts (2) • L Brackets (2) • L Bracket Bolts (4) • L Bracket Locknuts (4)	1	H-4350	H-4350
5	<b>Handle w/ Locking Mechanism Hardware Kit</b> Includes: • Handle w/ Locking Mechanism (1) • Handle Reinforcements (2) • Handle Bolts (4) • Handle Locknuts (4) • Guard Plate (1) • Guard Plate Bolts (2) • Guard Plate Locknuts (2)	1	H-4348	H-4348
6	<b>Retaining Latch Hardware Kit</b> Includes: • Retaining Latch ("L" Bolt) (1) • Locknuts (2) • Washers (2)	1	H-4346	H-4346
7	<b>Frame Kit</b> Includes: • Frame (1) • Plastic Caps (2)	1	H-4345	H-4345
8	<b>Axle / Wheel Hardware Kit</b> Includes: • Axle (1) • Right Axle Support (1) • Left Axle Support (1) • Frame Reinforcements (2) • Bolts (4) • Locknuts (4) • Washers (8) • Round Pins (2) • Cotter Pins (2)	1	H-3199AXLEKT	H-3199AXLEKT

**ULINE** H-4124  
**3-IN-1 ALUMINUM**  
**HAND TRUCK**  
**WITH SOLID RUBBER WHEELS**

1-800-295-5510  
 uline.com

#	DESCRIPTION	QTY	ULINE PART NO.	MFG. PART NO.
9	<b>Wheel Hardware Kit*</b> Includes: • Wheel (1) • Washer (1) • Spacer (1) • Cotter Pin (1)	2	H-3358	CXR/W005P
10	Nose Plate	1	H-1363-NOSE	M2Y/HS-01-P041UL
11	<b>Folding Nose Extension Hardware Kit</b> Includes: • Folding Nose Extension (1) • Fasteners (2) • Bolts (2) • Locknuts (2)	1	H-4347	H-4347

\* Includes additional hardware not required for assembly.