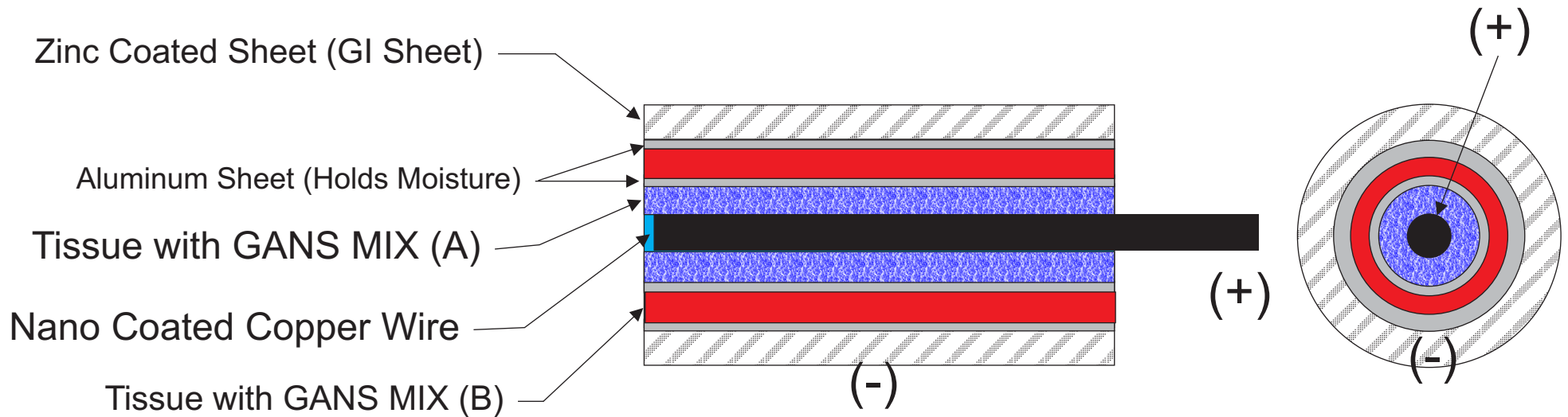


# Alekz System

Keshe Foundation R&D Group  
July 2, 2015

## 1.5V Double Layer Gans Cell (DLGC)



GANS Mix A = Sugar(C<sub>12</sub>H<sub>22</sub>O<sub>11</sub>) = C(12x12)+H(1x22)+O(16x11) = 342 (matter state)  
 + Caustic Soda (NaOH) = Na (23)+O(16)+H(1) = 40 (matter state)  
 + Dried Titanium Dioxide (TiO<sub>2</sub>) Gans = Ti(48)+O(16x2)= 80 - (80 x 0.25) = 60 (Gans)  
 + Dried Brass Gans (Cu+Zn Composite Gans) = Cu(63)+Zn(65) = 128 - (126x0.25) = 96 (Gans)  
 + Water (H<sub>2</sub>O) = H(2)+O(16) = 18 (matter state)

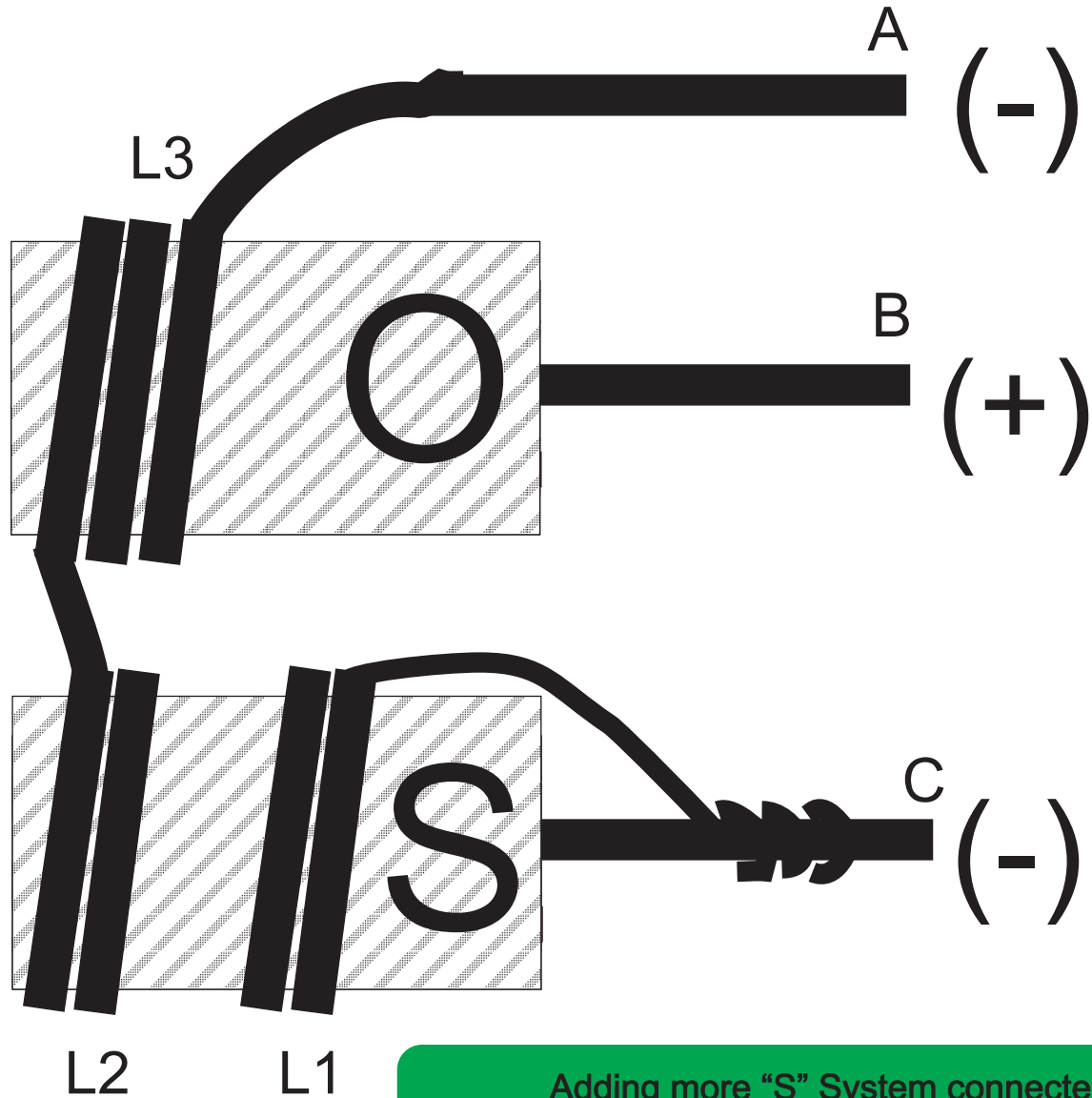
GANS Mix B = CH<sub>3</sub> Gans + Nano Particles + Water (H<sub>2</sub>O)

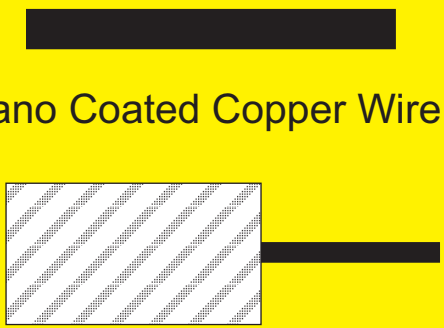
You can do Multiple Layers for your Gans Cells. Always remember we are in PLASMATIC INTERACTION  
 The Gans amplifies the Nano Coated Material

# Alekz System

Keshe Foundation R&D Group  
July 2, 2015

## Plasma Transistor Setup (PTS-NPN)





Nano Coated Copper Wire

Double Layer Gans Cell (DLGC)

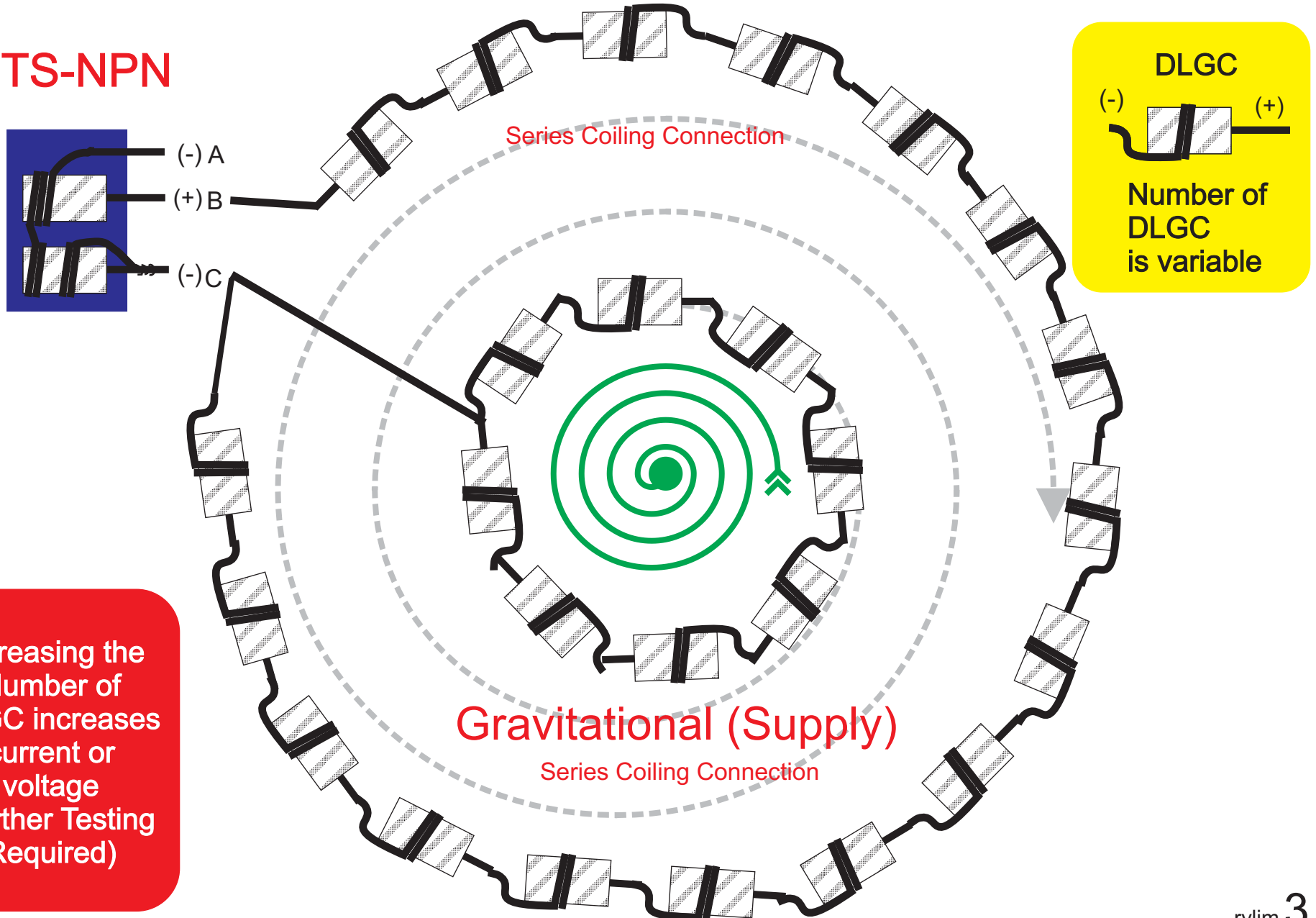
S = Energy Supply Loop (ESL)  
O = Positive Output

L1 = Nano Coated Coil 1  
L2 = Nano Coated Coil 2  
L3 = Nano Coated Coil 3  
(L2 connected)

Adding more "S" System connected in Series Circular Loop can boost Voltage and Current. Also number of Turns of Coils may have different condition

## MAGRAV Beads Setup (MGBS) Magnetical (Feeds Power)

PTS-NPN



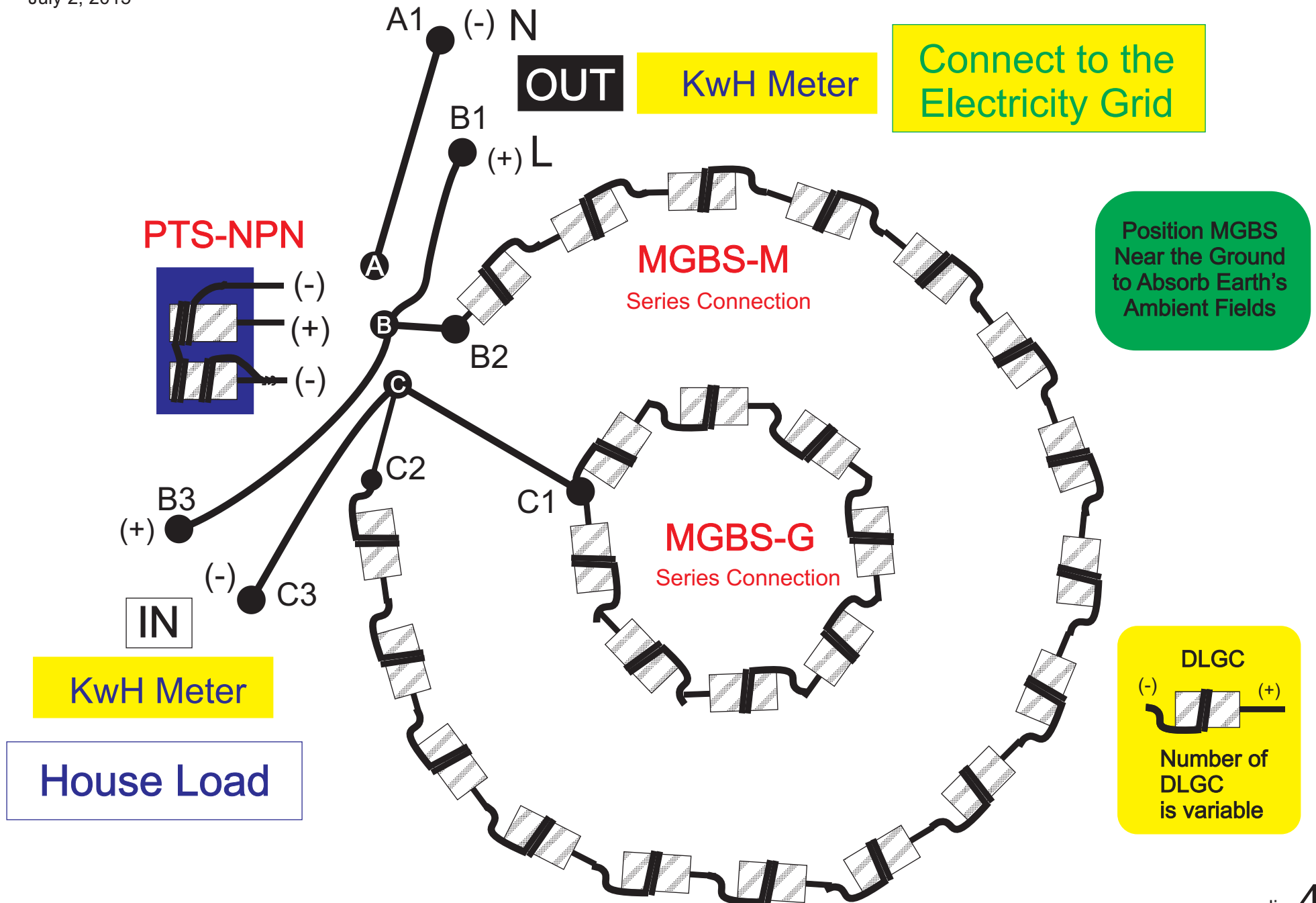
Increasing the  
Number of  
DLGC increases  
current or  
voltage  
(Further Testing  
Required)

DLGC  
(-) (+)  
Number of  
DLGC  
is variable

# Alekz System

Keshe Foundation R&D Group  
July 2, 2015

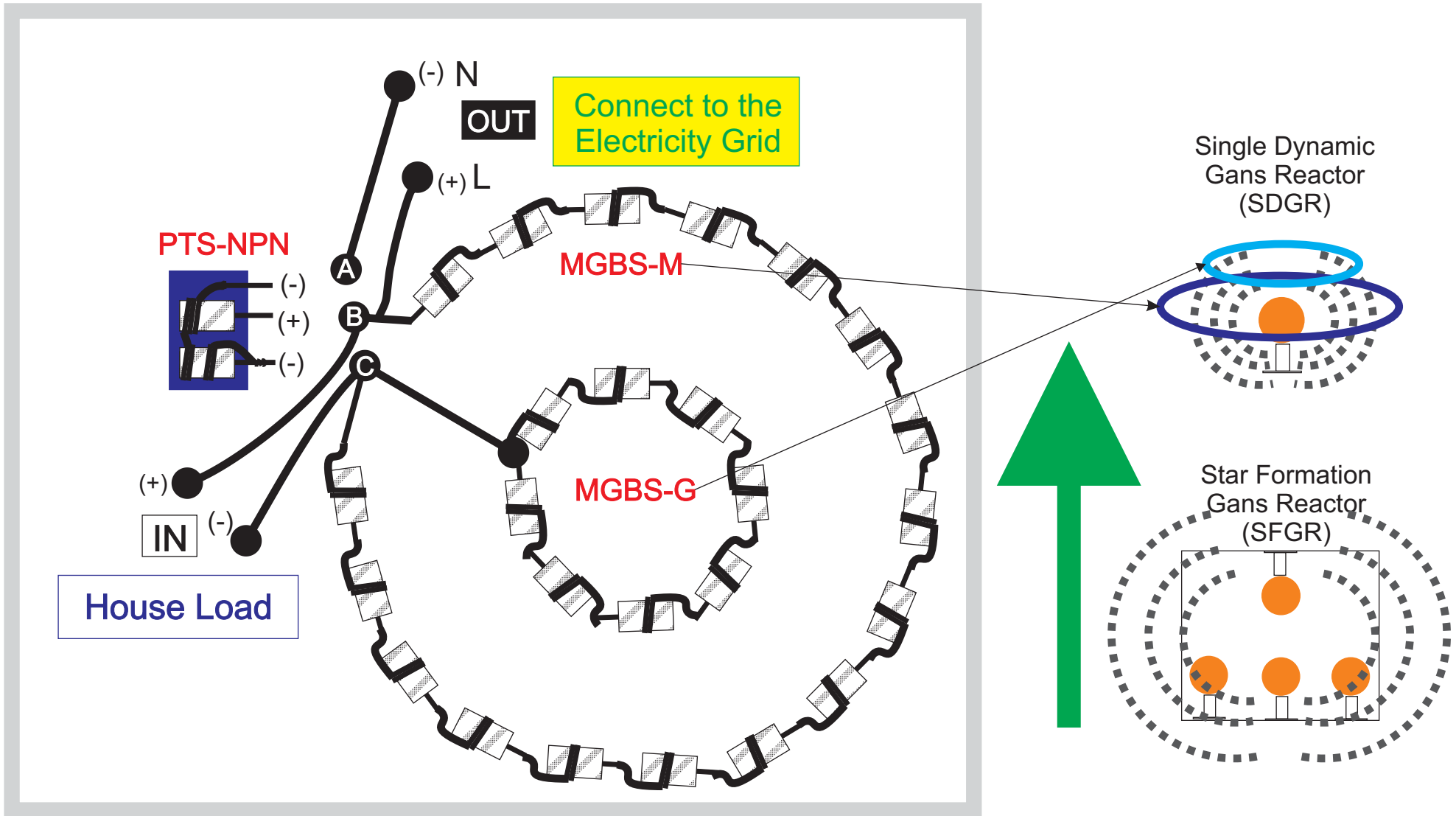
## #Energy System1 (ES1) Schematics



# Alekz System

Keshe Foundation R&D Group  
July 2, 2015

## #Energy System2 (ES2) Schematics



### Energy System1 (ES1)

The Flow of Plasma Fields will be from the Higher Strength to the Lower Strength hence the Es1 Absorbs the Fields and then converted to Electricity

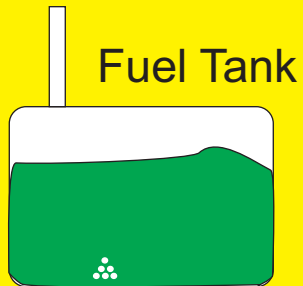
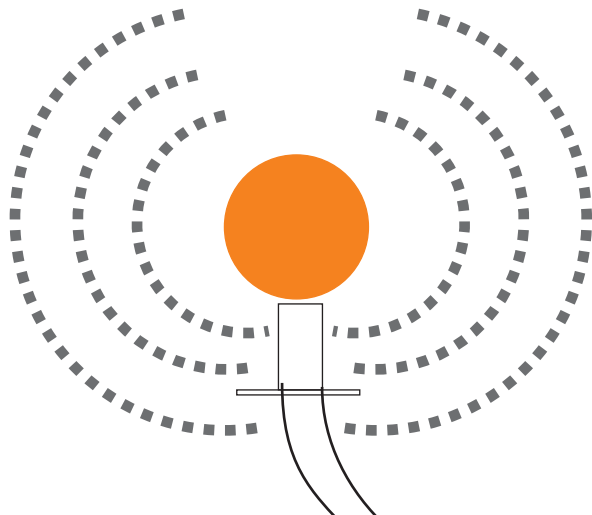
# Alekz System

Keshe Foundation R&D Group  
July 2, 2015

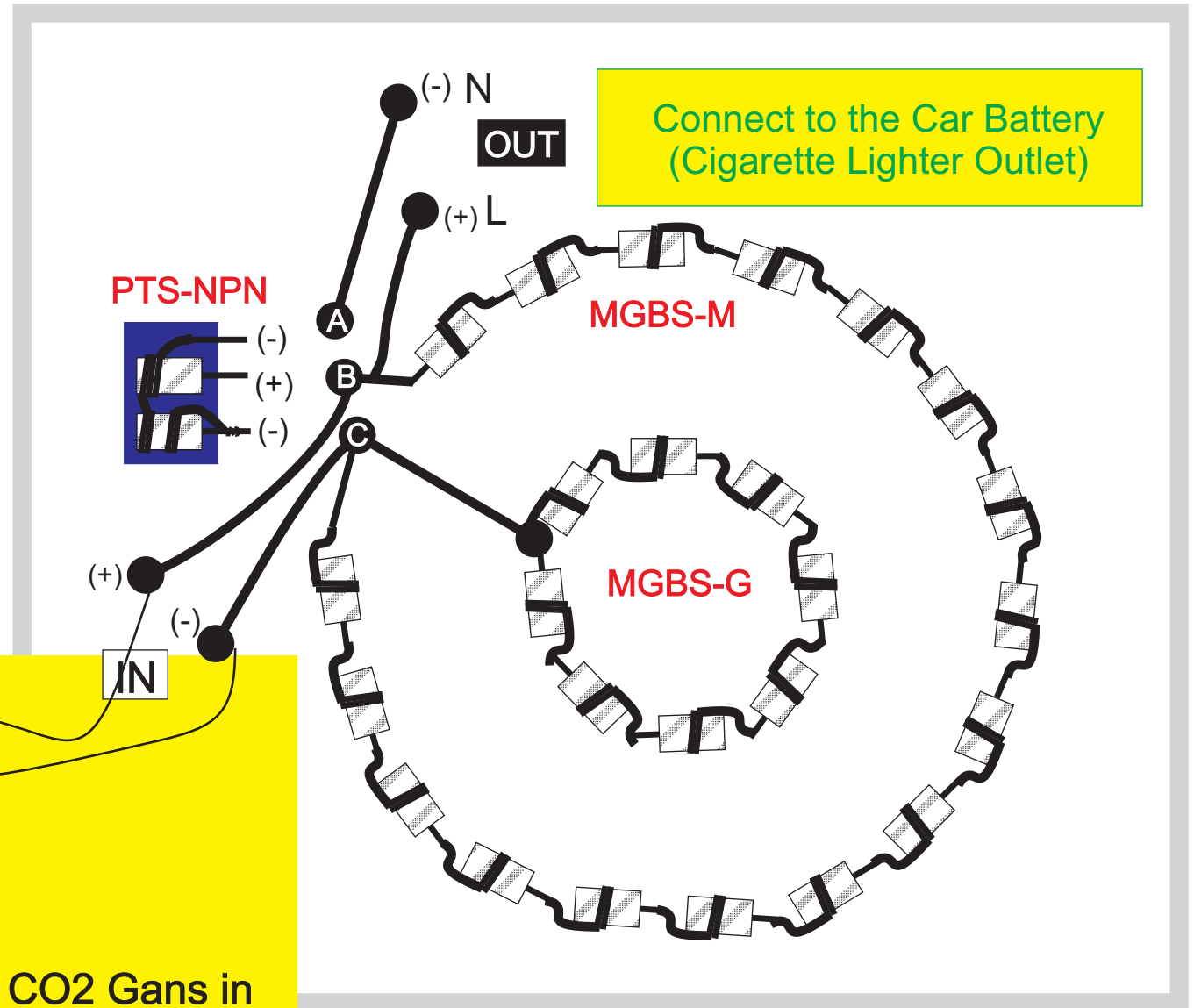
## #Car Fuel System (CFS) Schematics

### Single Dynamic Gans Reactor (SDGR)

*Co<sub>2</sub> (Liquid Gans + Nano P.  
+Dry Gans) Loaded*

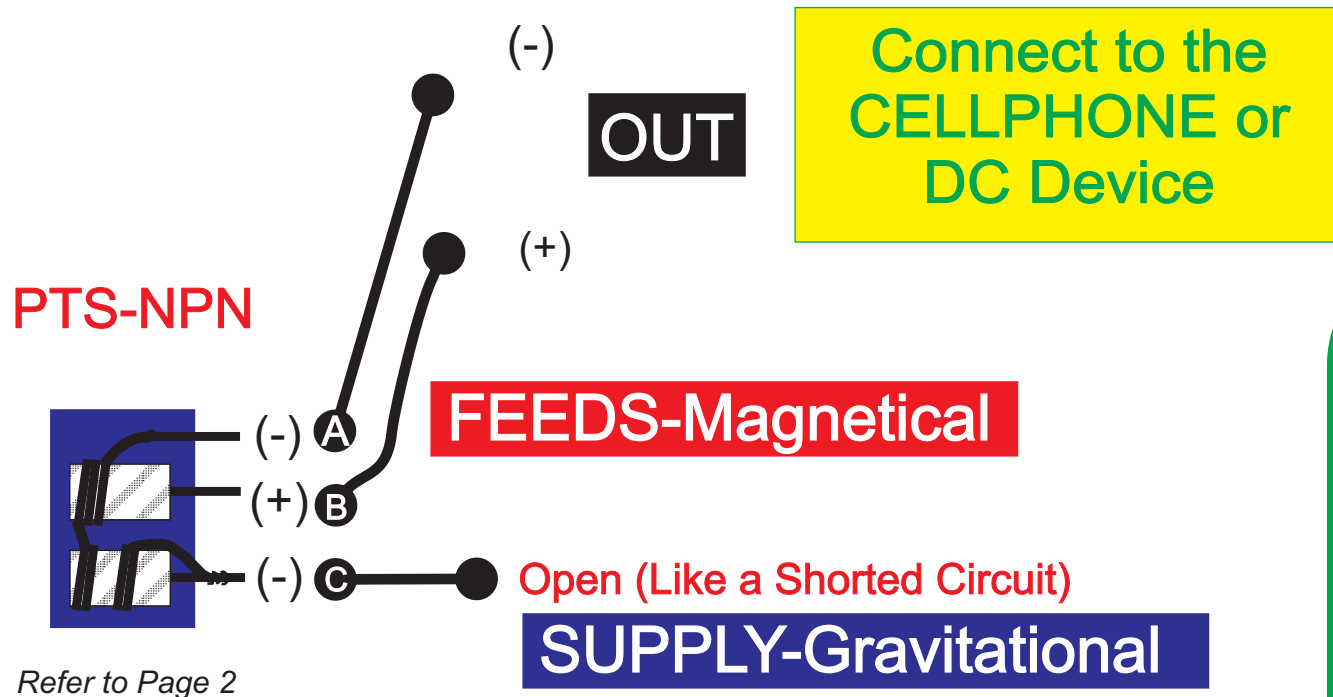


Put 15ml of Washed Liquid CO<sub>2</sub> Gans in  
your Fuel Tank with 25% Full of Fuel



Energy System1 (ES1)

## #DC Permanent Charger System (DCPCS) Schematics



Refer to Page 2

Remember:

Nano Copper Wire is  
a resistor Vertically  
and a Super conductor  
Horizontally



Nano Coated  
Copper Wire

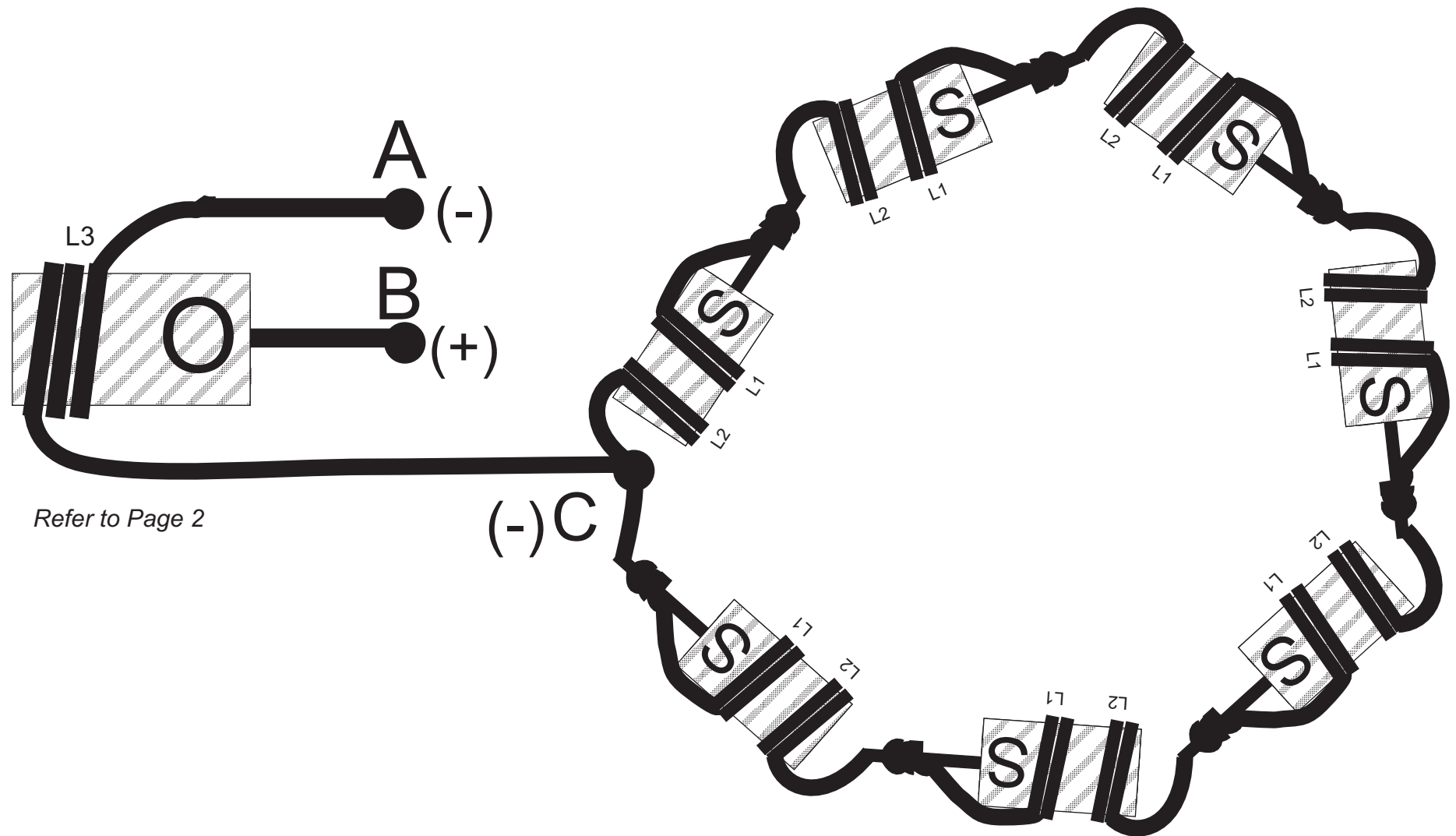
Take Note:

- (1) Initially the Cellular phone must be fully charged before connecting the system this initialize your PTS-NPN.
- (2) Design your system to fit permanently to your DC Device / Cellular Phone (a flat cell design)
- (3) You can add Gans Cells with Multiple Layers in your PTS-NPN System.

# Alekz System

Keshe Foundation R&D Group  
July 2, 2015

## #Amp/Volt Booster (AVB) Schematic



Refer to Page 2

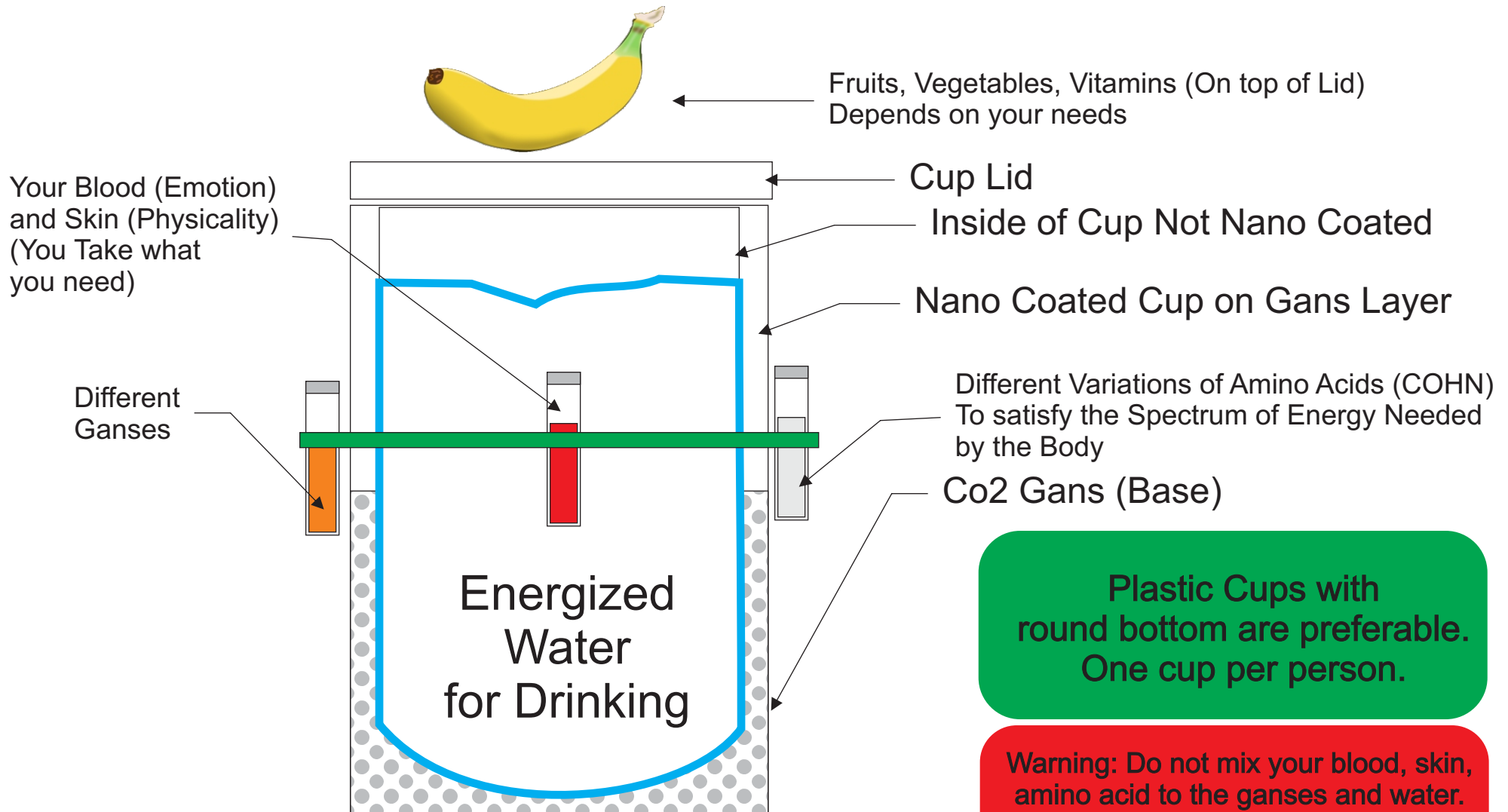
Note: Please try if Point C needs to be close the Loop or Not



# Alekz System

Keshe Foundation R&D Group  
July 3, 2015

## #Food/Health Cups (Cup of Life) (FHC) System



Plastic Cups with round bottom are preferable. One cup per person.

Warning: Do not mix your blood, skin, amino acid to the ganses and water. Do not Use Copper Ganses and other Strong Ganses

Disclaimer: KF is not liable for any harm that you may encounter upon testing. Test at your own risk and responsibility

# Keshe Health Cups

Keshe Foundation R&D Group  
July 3, 2015

## #Food/Health Cup Levels

