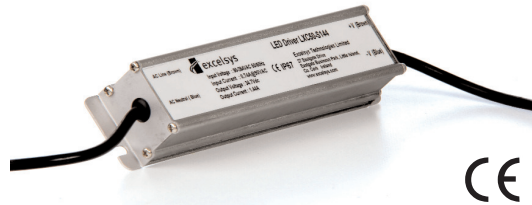


# LXC35 series

## LED Power Supply

### Constant Current LED Power Supplies

LED Power  
35W

#### LED POWER

next generation power source

#### FEATURES

- High Efficiency (up to 88%)
- Active PFC (Typical 0.92)
- IP67 Waterproof
- OVP, SCP
- -35 to 55°C deg operation
- Universal Input 90-305VAC
- UL8750 recognised
- EN61347-1, -2-13 compliant

The LXC35 series of constant current LED power supplies from Excelsys Technologies can deliver up to 35W of output power in an extremely compact package size.

The LXC35 series of constant current power supplies provides up to 2900mA of output current and 100V output voltage solutions for specific LED requirements. With industry leading efficiencies, and an extensive protection feature set, the LXC35 series provides high reliability and high performance in a compact package

The LXC35 series carries the CE mark for safety and is also RoHS compliant.

For more details contact [sales@excelsys.com](mailto:sales@excelsys.com)

Model Number	Output Voltage	Output Current	Input Voltage	OVP Latching max	Efficiency	Ripple V
LXC35-0350SW	33-100V	350mA	90-305VAC	112V	87.0%	10V
LXC35-0450SW	26-78V	450mA	90-305VAC	87V	87.0%	8V
LXC35-0700SW(C)	17-50V	700mA	90-305VAC	59V	86.0%	5V
LXC35-1050SW(C)	11-33V	1050mA	90-305VAC	42V	86.0%	4V
LXC35-1400SW(C)	8-24V	1400mA	90-305VAC	32V	85.0%	4V
LXC35-1750SW(C)	7-20V	1750mA	90-305VAC	27V	84.0%	4V
LXC35-2100SW(C)	6-18V	2100mA	90-305VAC	25V	84.0%	4V
LXC35-2450SW(C)	5-15V	2450mA	90-305VAC	21V	83.0%	4V
LXC35-2900SW(C)	4-12V	2900mA	90-305VAC	18V	82.0%	4V

#### Input Specifications

Parameter	Conditions/Description	Min	Nom	Max	Units
Input Voltage Range	Universal Input	90		305	VAC
Input Frequency Range		47		63	Hz
Input Current	100VAC in, 35W output			0.49	A
Leakage Current	277VAC Input, 50Hz			0.5	mA
Inrush Current	230VAC in, 25°C, Cold Start			60	A
Power Factor	220VAC, 110VAC	0.92		0.98	

#### Output Specifications

Parameter	Conditions/Description	Min	Nom	Max	Units
Line Regulation				±3	%
Load Regulation				±5	%
Voltage Range	See individual models				
Ripple and Noise	See individual models				
Overshoot			10		%
Turn-on Delay	Measured at 220VAC and full load			3	s
Short Circuit Protection	Auto Recovery				
Over Voltage Protection	Hiccup, Auto recovery				

#### General Specifications

Parameter	Conditions/Description	Min	Nom	Max	Units
Isolation Voltage	Input to Output See Note A	3750			VAC
	Input to Chassis	1500			VAC
Efficiency	See individual models		88		%
Safety Agency Approvals	UL8750, EN61347-1, -2-13, UL1310 Note H				
No load Power Dissipation	Measured at 230 Vac			6.0	W
MTBF	MIL-HDBK-217F, 110VAC input, 80% load, 25°C		541,000		Hours
Lifetime	110VAC input, 80% load, 45°		87,000		Hours
Weight			480		g
Operating Temperature		-35		+55	°C
Storage Temperature		-40		+85	°C
Relative Humidity	Non-condensing (operating)	10		100	%RH



#### Europe/Asia

Excelsys Technologies Ltd t: +353 21 4354716  
 27 Eastgate Drive f: +353 21 4354864  
 Eastgate Business Park e: sales@excelsys.com  
 Little Island, Cork, Ireland  
 IRELAND

#### North America

Excelsys Technologies t: (972) 771 4544  
 519 Interstate 30, #309 f: (972) 421 1805  
 Rockwall, TX 75087 e: salesusa@excelsys.com  
 USA

EMC				
Parameter	Standard		Level	Units
<b>Emissions</b>				
Conducted	EN55015		Level B	
Radiated	EN55015		Level B	
Harmonic Distortion	EN61000-3-2		Compliant	
Flicker and Fluctuation	EN61000-3-3		Compliant	
<b>Immunity</b>				
ESD	EN61000-4-2		Level 4	
Radiated RFI	EN61000-4-3		Level 3	
Fast Transients - burst	EN61000-4-4		Level 4	
Conducted RFI	EN61000-4-6		Compliant	
Power Freq Magnetic Field	EN61000-4-8		Compliant	
Voltage Dips	EN61000-4-11		Compliant	

Dimming Control					
Parameter		Min	Nom	Max	Units
10V Output Voltage		9.8	10.0	10.2	VDC
10V Output Source Current		-10		2	mA
Control Voltage (1-10V input)	Voltage applied on 1-10V input wire	-2		15	V
Source Current (1-10V input)	Source current on 1-10V input wire	0		1	mA

Note A. Primary to Secondary Isolation test not to be carried out on power supply.  
 Note B. Load Voltage must be maintained above minimum voltage. See models for voltage range.  
 Note C. UL1310 Class 2 outputs for US and Canada except LXC35-0700SW which is Class 2 in US only

**INPUT / OUTPUT WIRING**

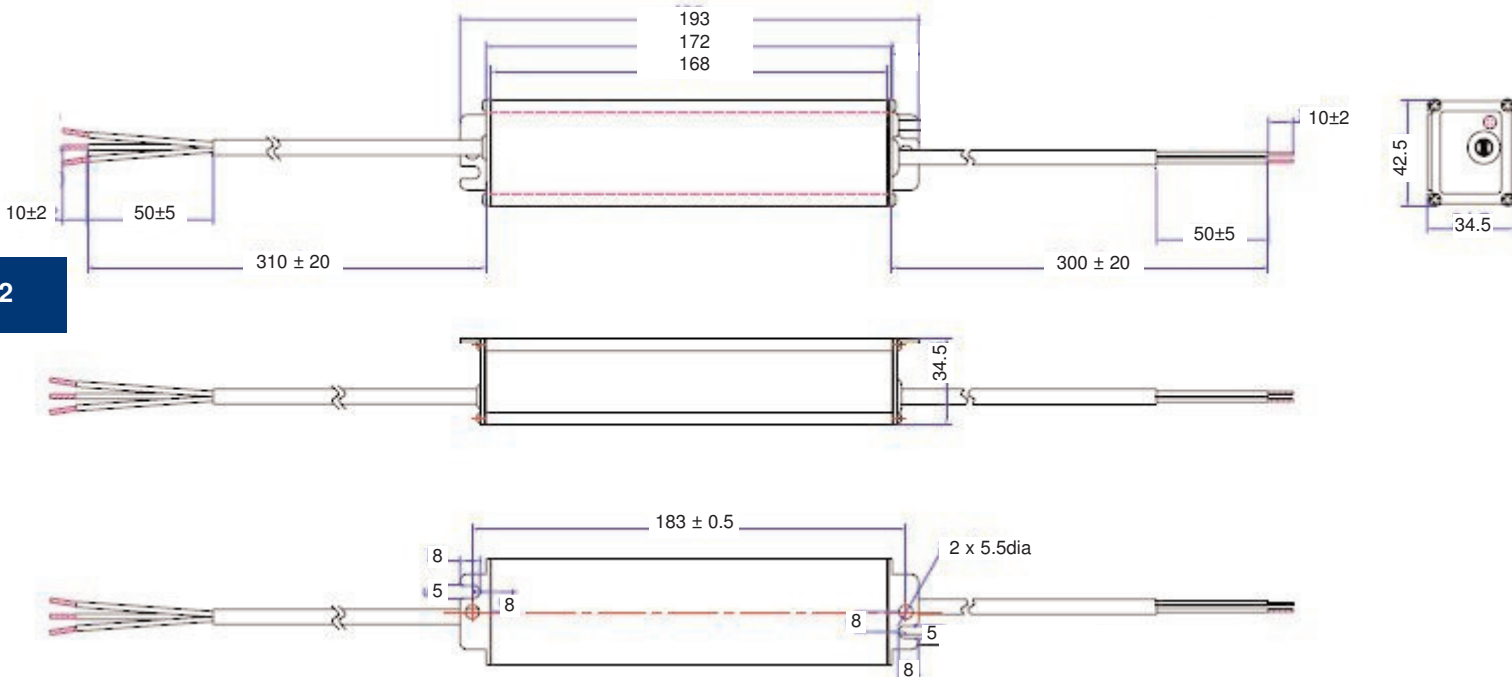
**INPUT CABLE**

SJTW 18AWG 3C  
 Black (L), White(N), Green (G) 310±20mm

**OUTPUT CABLE**

SJTW 18AWG 2C  
 Black (-V) and Red (+V) 300±20mm

**MECHANICAL SPECIFICATIONS**



Specifications are subject to change without notice

LXC35 datasheet Pre Release 14 March 2011



<b>Europe/Asia</b>		<b>North America</b>	
Excelsys Technologies Ltd	t: +353 21 4354716	Excelsys Technologies	t: (972) 771 4544
27 Eastgate Drive	f: +353 21 4354864	519 Interstate 30, #309	f: (972) 421 1805
Eastgate Business Park	e: sales@excelsys.com	Rockwall, TX 75087	e: salesusa@excelsys.com
Little Island, Cork, Ireland		USA	
<b>IRELAND</b>			