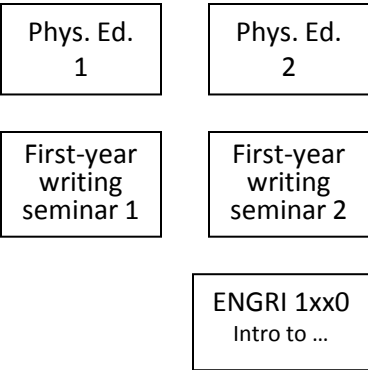
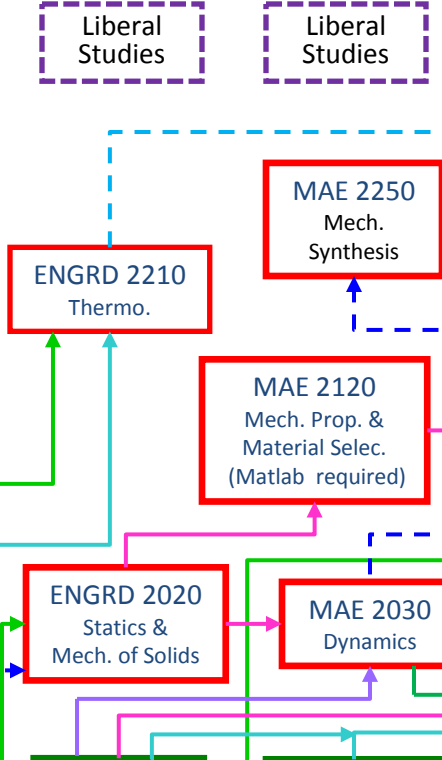


Mechanical Engineering B.S. Curriculum (Effective Spring 2013)

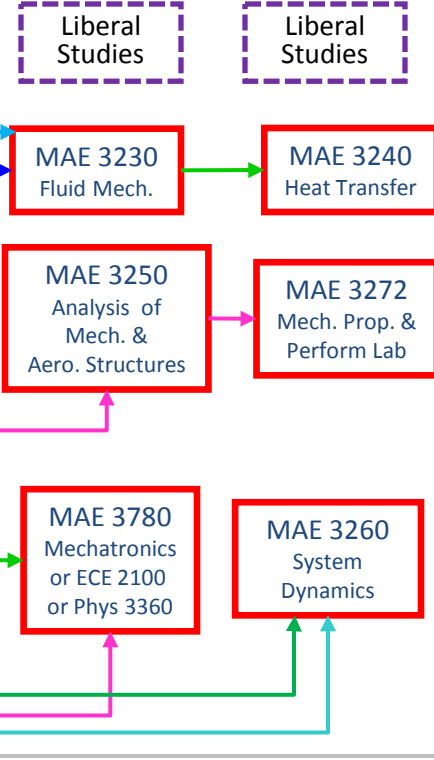
First Year/Freshman



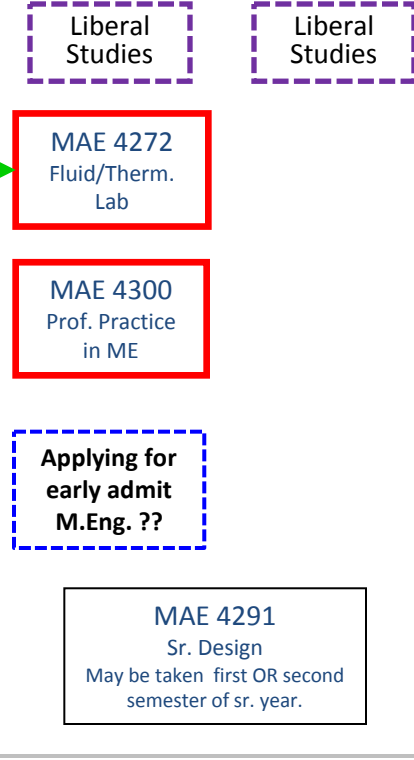
Second Year/Sophomore



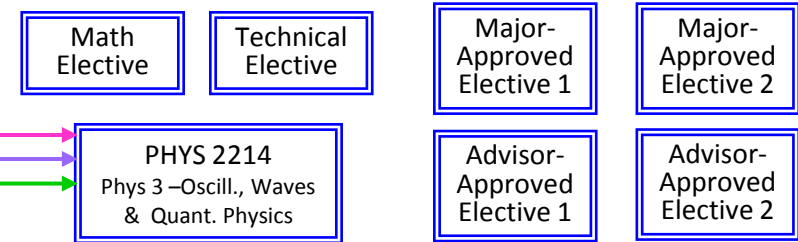
Junior Standing



Senior Standing



Junior or Senior Standing



Notes: *Students entering prior to Fall 2012: If CS 1110 was taken, CS 1132 will be required. If CS 1112 was taken, CS 1130 will be required. A transition CS course is not required for students entering Fall 2012 and beyond.

- > prerequisite
- - -> co-requisite
- (red) must take term shown
- (green) unless AP, take term shown
- (blue) junior or senior
- (dashed) any term