

"CARTWRIGHT" CONVERTIBLE FIREPLACE

FA928500TX-Mission Oak

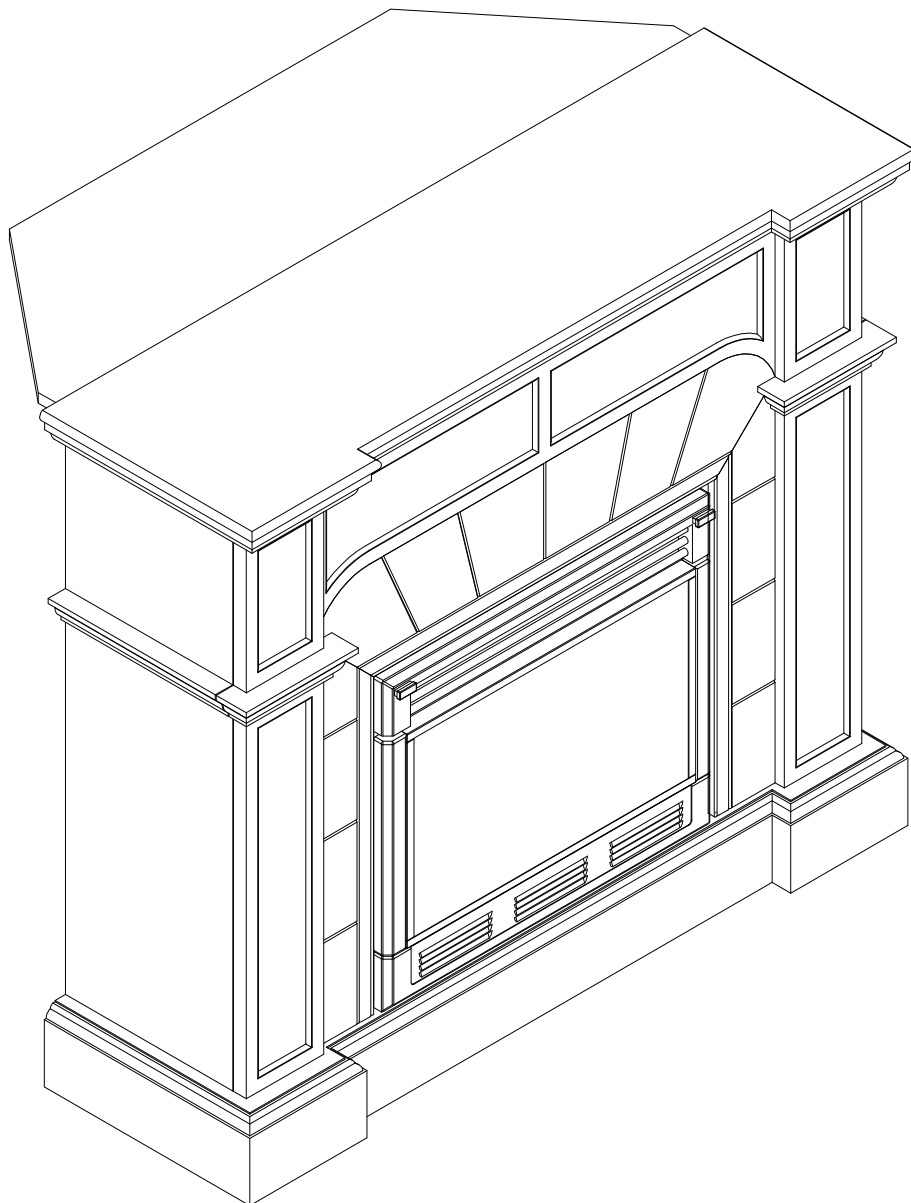
FA928600TX-IVORY

FA928700TX-ESPRESSO

ASSEMBLY INSTRUCTION



For assistance with assembly contact:  
Southern Enterprises Inc.  
Customer Service 1-800-633-5096  
[service@seidal.com](mailto:service@seidal.com)  
[www.seidal.com](http://www.seidal.com)




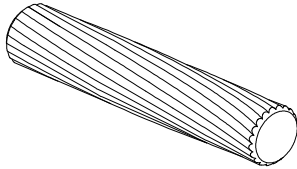
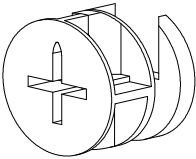
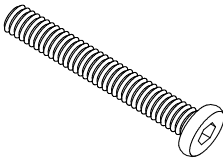
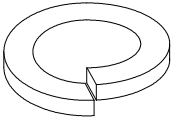
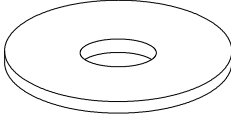
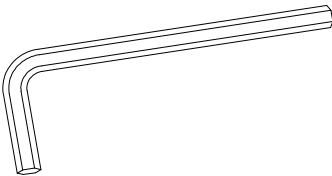
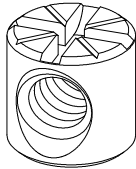
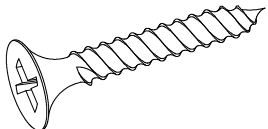
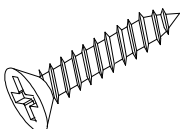
**ATTENTION:**

The Extension panel not be loaded with more than 6 LBS

# "CARTWRIGHT" CONVERTIBLE FIREPLACE

## Parts List

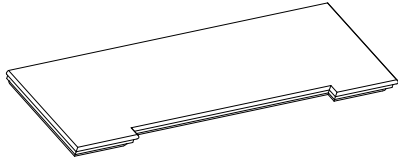
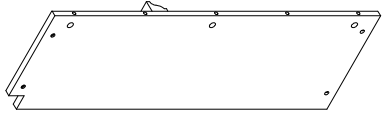
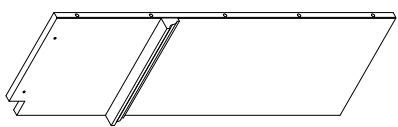
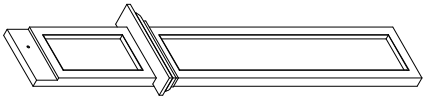
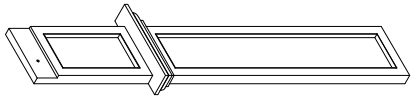
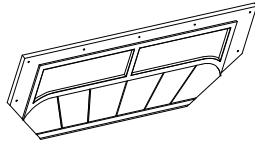
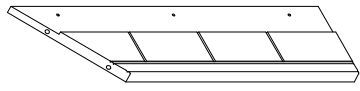
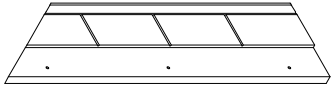
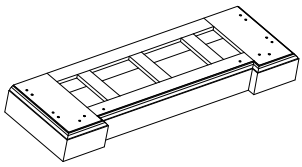
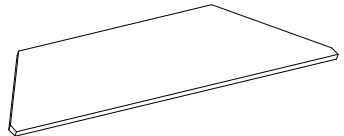
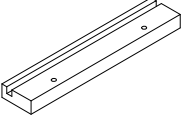
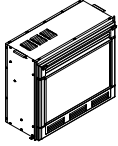
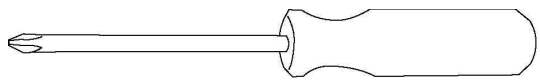
Please review all parts and hardware before disposing of any packaging. Call Customer Service if missing hardware. Do not return to store/retailer. Screws shown in actual size. Using a screw that is too long will cause damage. Before beginning assembly, separate each type of screw. Carefully study the screw diagrams below. You may receive extra hardware with your unit.

<b>A</b>  CAM BOLT	Quantity Of 8 <b>B</b>  WOOD DOWEL
<b>C</b>  CAM LOCK	Quantity of 8 <b>D</b>  SOCKET HEXAGON BOLT
<b>E</b>  SPRING WASHER	Quantity of 6 <b>F</b>  FLAT WASHER
<b>G</b>  ALLEN WRENCH	Quantity of 1 <b>H</b>  CROSS SOCKET NUT
<b>I</b>  WOOD SCREW	Quantity of 23 <b>J</b>  WOOD SCREW

# "CARTWRIGHT" CONVERTIBLE FIREPLACE

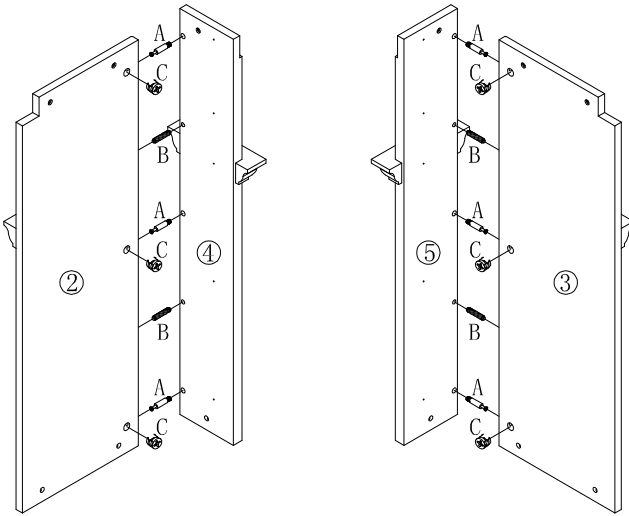
## Parts List

Please review all parts and hardware before disposing of any packaging. Call Customer Service if missing hardware. Do not return to store/retailer. Using a screw that is too long will cause damage. Before beginning assembly, separate each type of screw. Carefully study the screw diagrams below. You may receive extra hardware with your unit.

<p><b>(1)</b></p>  <p>TOP PANEL</p>	<p>Quantity of 1</p> <p><b>(2)</b></p>  <p>LEFT SIDE PANEL</p> <p>Quantity of 1</p>
<p><b>(3)</b></p>  <p>RIGHT SIDE PANEL</p> <p>Quantity of 1</p>	<p><b>(4)</b></p>  <p>LEFT FRONT PANEL</p> <p>Quantity of 1</p>
<p><b>(5)</b></p>  <p>RIGHT FRONT PANEL</p> <p>Quantity of 1</p>	<p><b>(6)</b></p>  <p>MIDDLE FRONT PANEL</p> <p>Quantity of 1</p>
<p><b>(7)</b></p>  <p>LEFT MIDDLE SIDE PANEL</p> <p>Quantity of 1</p>	<p><b>(8)</b></p>  <p>RIGHT MIDDLE SIDE PANEL</p> <p>Quantity of 1</p>
<p><b>(9)</b></p>  <p>BASE</p> <p>Quantity of 1</p>	<p><b>(10)</b></p>  <p>CORNER TOP PANEL</p> <p>Quantity of 1</p>
<p><b>(11)</b></p>  <p>INSERT FIXED BAR</p> <p>Quantity of 2</p>	<p><b>(12)</b></p>  <p>INSERT (sold in a separate box)</p> <p>Quantity of 1</p>
<p><b>Care and Cleaning Instructions:</b>          Before using, wipe with a clean, dry cloth. Periodically apply furniture wax to renew the finish. Avoid rubbing or scratching the surface with rough or abrasive objects. For replacement parts or questions, please</p>	<p>Call Customer Service at 1-800-633-5096          Do not return product to store, please call Manufacturer for assistance, questions or Parts.</p>
<p><b>Assembly Tool Required</b>  <b>No.2 Phillips Screwdriver (Not Included)</b></p>	

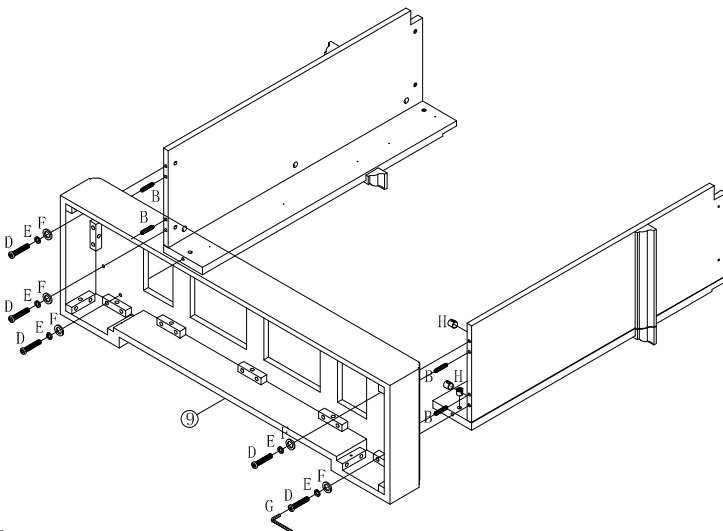
# "CARTWRIGHT" CONVERTIBLE FIREPLACE

## Assembly Instructions



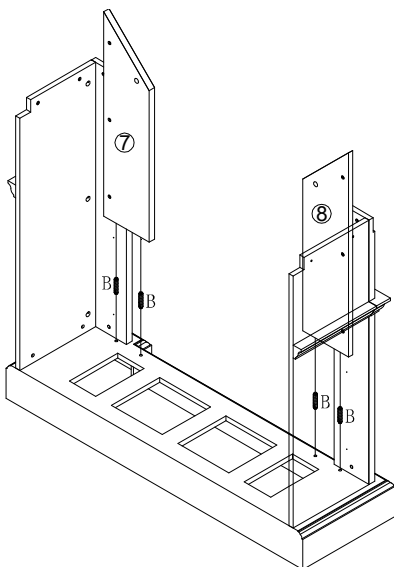
**Figure 1**

INSERT ( A ) CAM BOLT & ( B ) WOOD DOWEL TO THE RELATED HOLES OF ( 2 ) LEFT SIDE PANEL & ( 4 ) RIGHT SIDE PANEL, THEN USE ( C ) CAM LOCK TO CONNECT ( 2 ) LEFT SIDE PANEL & ( 4 ) LEFT FRONT PANEL , ( 3 ) & ( 5 ) CONNECT PLS DO THE SAME STEP AS ( 2 ) & ( 4 ) .



**Figure 2**

AFTER ASSEMBLED FIGURE 1, INSERT ( B ) WOOD DOWEL & ( H ) CROSS SOCKET NUT TO THE RELATED HOLES , THEN USE ( D ) SOCKET HEXAGON SCREW CROSS ( E ) SPRING WASHER & ( F ) FLAT WASHER TO CONNECT ( 7 ) BASE.

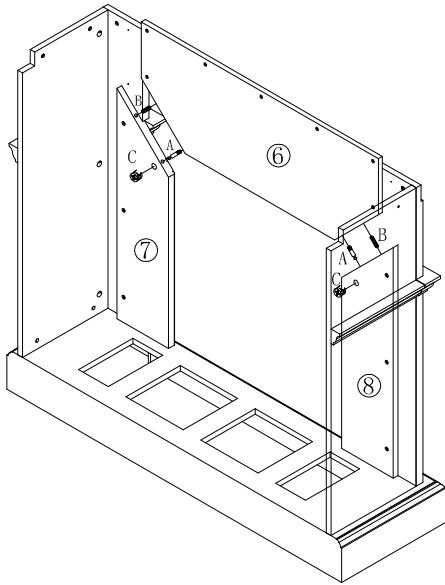


**Figure 3**

INSERT LEFT MIDDLE SIDE PANEL ( 7 ) & RIGHT MIDDLE SIDE PANEL ( 8 ) INTO ASSEMBLED UNIT IN THE FIGURE 2 BY WOOD DOWEL ( B )

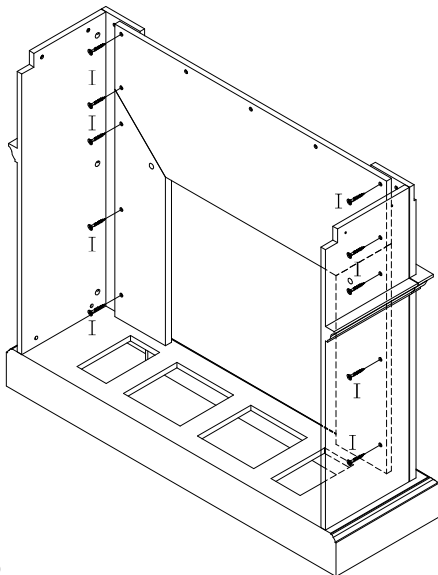
# "CARTWRIGHT" CONVERTIBLE FIREPLACE

## Assembly Instructions



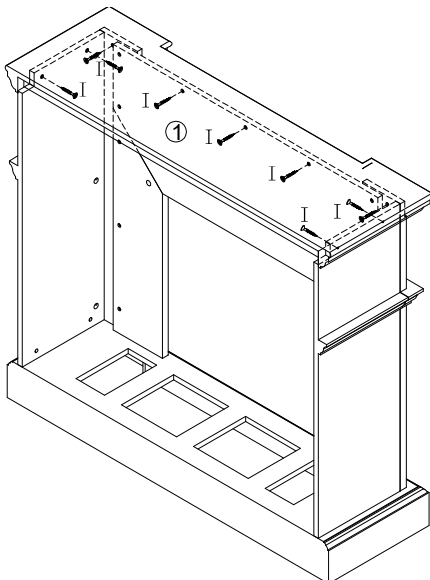
ATTACH MIDDLE FRONT PANEL(6) TO LEFT MIDDLE SIDE PANEL(7) & RIGHT MIDDLE SIDE PANEL(8) BY SLIPPING WOOD DOWEL(B) & CAM BOLT(A) UNTIL MIDDLE FRONT PANEL(6) & LEFT MIDDLE SIDE PANEL (7) & RIGHT MIDDLE SIDE PANEL (8)MEET.SECURE BY ROTATING CAM LOCK (C) COUNTERCLOCKWISE WITH PHILLIPS SCREWDRIVER

**Figure 4**



AFTER FINISHED FIGURE 4 ,INSERT (I) WOOD SCREW INTO BACK SIDE OF 6,7,8 AND HALFWAY FASTEN THESE SCREWS.

**Figure 5**

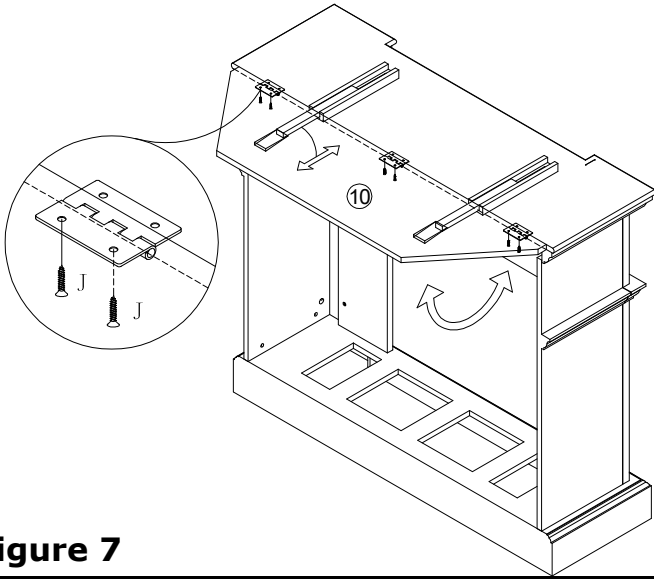


FIT TOP PANEL (1) ONTO FIGURE 5 THEN FASTEN ALL 6,7,8 WITH SCREWS (I). ALSO INSERT (I) WOOD SCREW INTO UPPER HOLES OF 2,3,4,5,6 PANELS TO CONNECT WITH TOP PANEL.

**Figure 6**

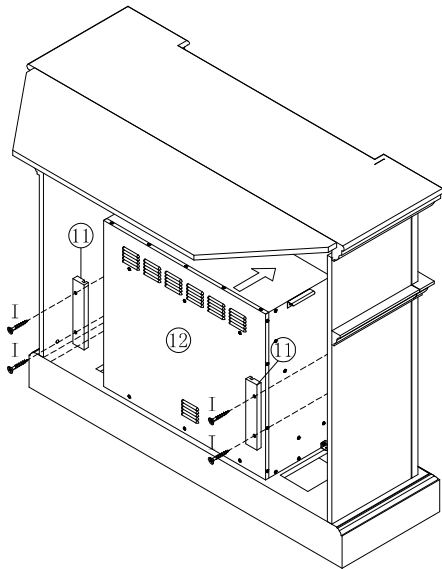
# "CARTWRIGHT" CONVERTIBLE FIREPLACE

## Assembly Instructions



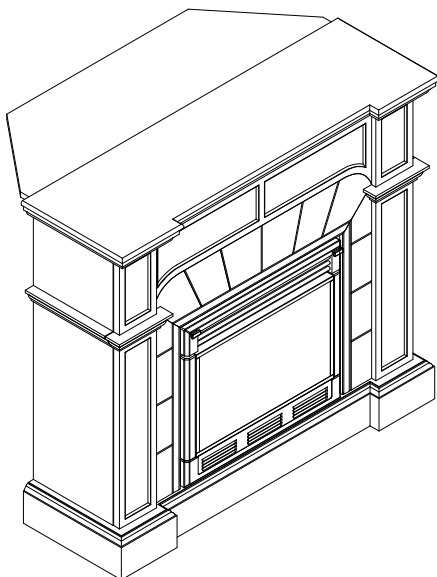
PUSH SUPPORT WOOD SLIDE TO LET THE CORNER PANEL PARALLEL WITH THE TOP PANEL. USING 6 SMALL WOOD SCREWS (J) FASTEN PRE-INSTALLED HINGES WITH CORNER PANEL (10).

**Figure 7**



PUSH (12) INSERT TO THE RELATED PLACE OF MAIN BODY ,THEN INSERT (I)WOOD SCREW THROUGH (11)INSERT FIXED BAR TO LOCK TIGHTLY.

**Figure 8**



**Figure 9**

# Parts Replacement Form

## Customer Information

Name \_\_\_\_\_

Address \_\_\_\_\_

City/State/Zip Code \_\_\_\_\_

Phone Number \_\_\_\_\_

Please indicate where you purchased this item: Store/Website/Catalog

Please indicate color/size/style number:

Style No	Parts Letter	Parts Description	Quantity Needed
_____	_____	_____	_____
_____	_____	_____	_____
_____	_____	_____	_____

Please immediately examine this product carefully. Any request for missing parts or damage replacement must be received within 90 days of your receipt of the product. Replacement, if available, will be honored within this time frame. Parts will not be available for items arriving fully assembled. We do not recommend modifying product(s) and we are not responsible for any damages due to product modification(s). If damages or missing parts are not reported within 90 days of your receipt, we are under no obligation to provide parts or replacement merchandise.

Please contact Southern Enterprises at 800-633-5096 or in Dallas 972-869-0111/ 9am – 4pm Mon-Fri Central time if you have product issues or email us at [service@seidal.com](mailto:service@seidal.com). Please ask for customer service representative for issues involving damages or replacement parts. Please ask for technical assistance representative for any issues with product and assembly/construction.

Please contact the retailer that you purchased from for returns.



Customer Service 1-800-633-5096

[service@seidal.com](mailto:service@seidal.com)

Southern Enterprises, Inc.

600 Freeport Parkway, Suite 200

Coppell, Texas 75019