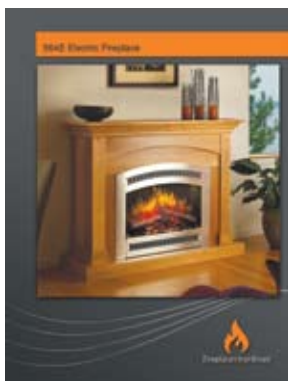


Warranty

Your electric fireplace is backed by a network of Specialty Hearth Dealers and certified factory trained installers. Fireplace Xtrordinair warrants our products to be free from defects in material and workmanship for a period of five years from date of purchase. All electronics components except light bulbs, and labor are covered for a full two years. No other manufacturer stands behind their products like Fireplace Xtrordinair.

Additional Fireplace Xtrordinair Products

If you are in the market for other hearth products, Fireplace Xtrordinair manufactures a full line-up of wood, gas and electric fireplaces and wood and gas fireplace inserts.



Electric Fireplaces

Fireplace Xtrordinair 564E Electric Fireplace offers the convenience of adding a fireplace to any room within your home. With no venting required, installation can be completed in as little as one hour. The 564E offers a selection of faces to match any home decor.



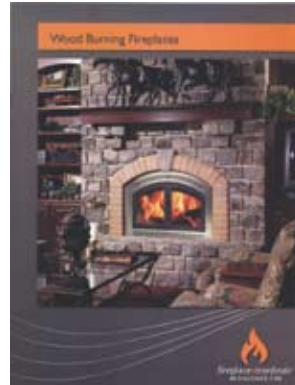
Gas Fireplaces

If you are interested in the latest trend in fireplace design, Fireplace Xtrordinair's lineup of gas fireplaces offers both "Designer" fireplaces with a large assortment of faces or "Clean Face" fireplaces without grills or louvers. Our heater-rated fireplaces operate with the efficiencies and performance of a gas furnace.



Fireplace Inserts (Wood or Gas)

Turn your old, open masonry or metal (zero clearance) fireplace into a clean, efficient source of heat for your home. Fireplace Xtrordinair offers a complete line of heater rated wood and gas inserts to fit virtually any existing fireplace.



Wood Burning Fireplaces

If you prefer heating with wood, Fireplace Xtrordinair also manufactures a line of EPA Certified clean burning fireplaces that feature the remarkable Posi-Pressure complete home heating system.



See our complete line of fireplaces
Visit us online: www.fireplacex.com

Photos and illustrations are for descriptive purposes only. We reserve the right to improve or change our products without prior notification. Trademarks belong to Travis Industries, inc. Consult the Owner's Manual for complete installation requirements.
© Copyright T. I. 2009/02 - Printed in the U. S. A.

Illuminations Electric Fireplaces™



fireplace**xtordinair**™
REDISCOVER FIRE



Model 4915E shown with Frosted Sleeves



2008 VESTA winner for BEST NEW ELECTRIC FIREPLACE. The Illuminations Electric Fireplace is a breakthrough product that features an eclectic fusion of materials – platinum colored glass, mined calcite stone, natural beeswax or frosted sleeves, mixed with patented technology that fools the eye into thinking you have a beautiful fireplace decorated with real burning candles. However, it is neither a real fireplace nor real candles; it is the Illuminations Electric Fireplace by Fireplace Xtrodinair.

The soothing candle-like flames appear to gently bend and flicker to an invisible draft. This movement is created through a patented device that creates a magnetic impulse causing the “flame” to move independently of the other “candles” in the fireplace. The contoured shape and featured coloration of the flame appears as an almost perfect imitation of a real candle.

There are two fireplace models available, arched or landscape. Both can be either single sided units or see-through versions allowing for endless installation possibilities. Add light and ambiance to any room of your home, wine cellar, bedrooms, bathrooms, foyer, office, and room divider to name just a few ideas.



Model 1924E shown with custom painted trim, Wax Candles and Travertine Stone Ceramic Liner

Illuminations Electric Fireplace™ Model 1924E Portrait-Style

The **Arched Portrait-Style Model 1924E** features a black interior standard or the choice of three optional interior liners. This model can also be installed as a see-through fireplace.

Features

- Three candles, you choose the sleeve option.
- Three optional liners, allows you to customize the interior.
- One button remote control or wall switch for on/off convenience.
- Crushed platinum glass to add sparkle and depth to the fireplace floor.
- No heat, no fire, no smoke, no smell and no venting required, extremely safe.
- It is inexpensive to operate as it draws less electricity than a 40 watt bulb on a 110 volt connection. The unit is tested to UL Standards.
- Relatively no maintenance as the glass front(s) protect the candles from curious fingers and helps reduce dust accumulation.
- The glass is easy to remove to clean or to decorate and change for the season, or your changing mood.



Shown with Beeswax Candle and Travertine Stone Liner

Designer Sleeve Options

Finish your Illuminations Electric Fireplace with your choice of sleeves.



Frosted Sleeves



Beeswax Candles



Cut and Polished Calcite Stones

Designer Interior Options

Beside the standard black interior, you can choose from one of three designer interiors



Beehive Brick



Travertine Stone



Almond Cast Shell

Custom Mantels

The fireplace may be framed and installed flush to the drywall or trimmed with decorative tile or marble surround. You also have a choice of mantels custom designed for the 1924E Arched Portrait model. Ask your Fireplace Xtordinaire dealer or visit www.jchuffman.com for options.



Albany™ Mantel with Calcite Sleeve options



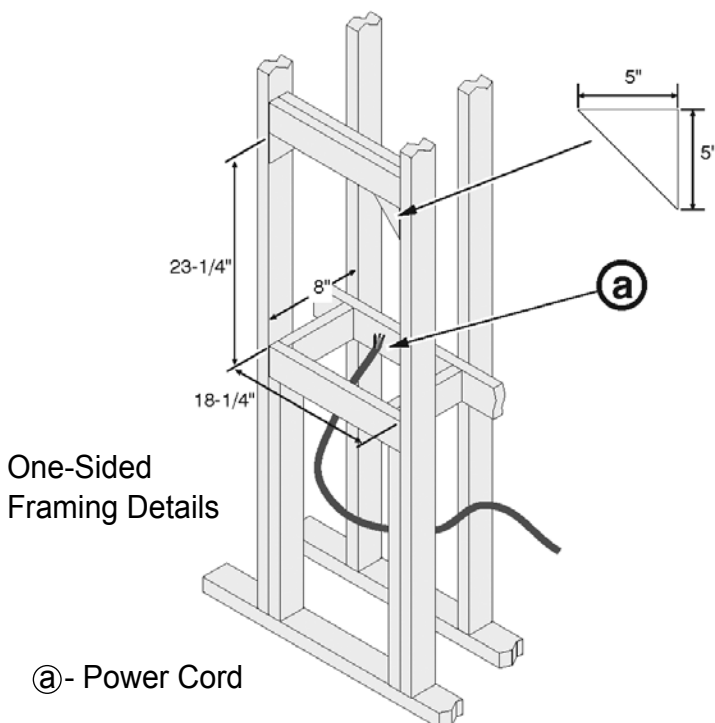
Hartford™ Corner Mantel with Bees Wax Candle option



Salem™ Mantel with Frosted Sleeve option

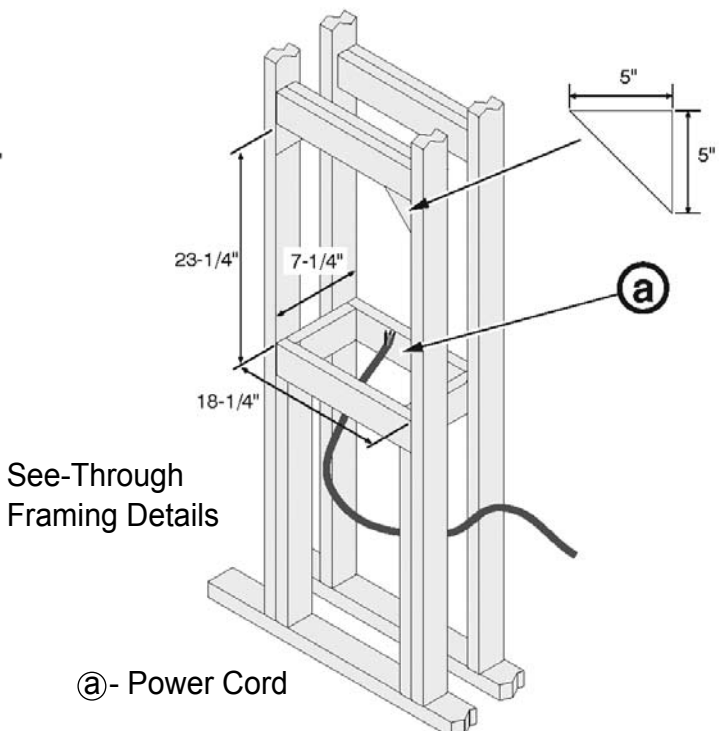
Installation

- The model 1924E Illuminations Electric fireplace is designed to fit into an 8" deep wall.
- Portrait-style fireplace model 1924E, can be converted from one sided to a see-through.
- 19" wide x 24 1/8" high x 8 1/2" deep
- Zero-clearance to all combustibles.
- Combustible facing, such as wall paper, sheet rock or wood can be installed right up to the edge of the firebox.
- Listed to UL 65, CSA 22.2 #12, and CSA 22.2 # 250



One-Sided Framing Details

Ⓐ- Power Cord



See-Through Framing Details

Ⓐ- Power Cord

Model 4915E Landscape

The 4915E model comes standard with a mirrored surface on the sides and back that endlessly reflect the light of the eleven candles. It may also be installed with a matte black finish to suit a different décor or converted to a see-through fireplace for a stunning multi-room presentation. The floor can be finished off with the platinum glass provided, or you may choose your own material for a completely custom look.



*Shown with mirrored interior
and Calcite Stone*

Features

- 11 candles, you choose the sleeve option.
- One button remote control or wall switch for on/off convenience.
- Crushed platinum glass to add sparkle and depth to the fireplace floor.
- No heat, no fire, no smoke, no smell and no venting required, extremely safe.
- Inexpensive to operate as it draws less electricity than a 40 watt bulb on a 110 volt connection. The unit is tested to UL Standards.
- Relatively no maintenance as the glass front(s) protect the candles from curious fingers and helps reduce dust from accumulating.
- The glass is easy to remove to clean or to decorate and change for the season or your changing moods.

Designer Sleeve Options

You will have the option of choosing three distinct sleeves to surround and finish the candle effect.



Frosted Sleeves



Beeswax Candles



Cut and Polished Calcite Stones

Custom Mantels

The units may be framed and installed flush to the drywall and trimmed with decorative tile or marble surrounds. You also have a choice of mantels custom designed for the 4915E landscape model. Ask your Fireplace Xtrordinair dealer or visit www.jchuffman.com for options.



Whitmore™ Mantel

Installation

- The model 4915E Illuminations Electric fireplace is designed to easily be built into an 8" deep wall.
- Can be converted from being one sided to a see-through.
- 49" wide x 18 1/4" high x 8 1/4" deep
- Zero-clearance to all combustibles.
- Combustible facing, such as wall paper, sheet rock or wood can be installed right up to the edge of the firebox.
- Listed to UL 65, CSA 22.2 #12, and CSA 22.2 # 250

